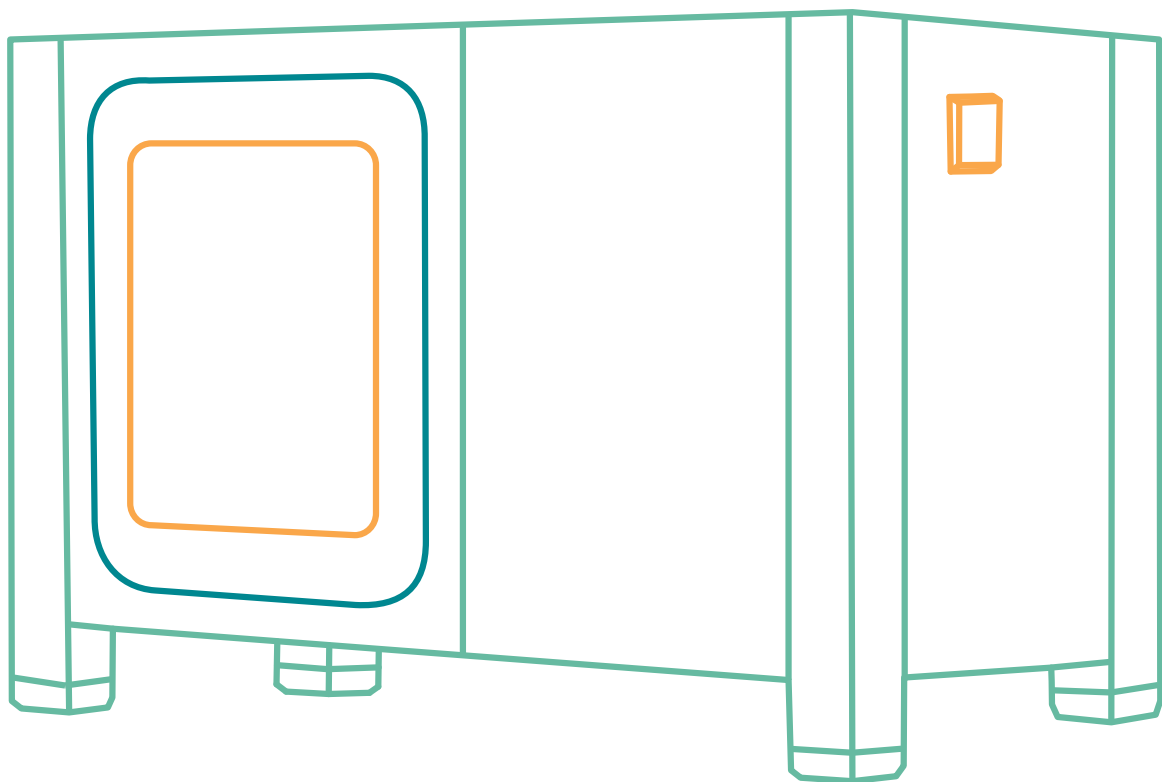


BIOMA CONDENSING UNITS

AN EMBRACO INNOVATIVE SOLUTION FOR
COMMERCIAL REFRIGERATION

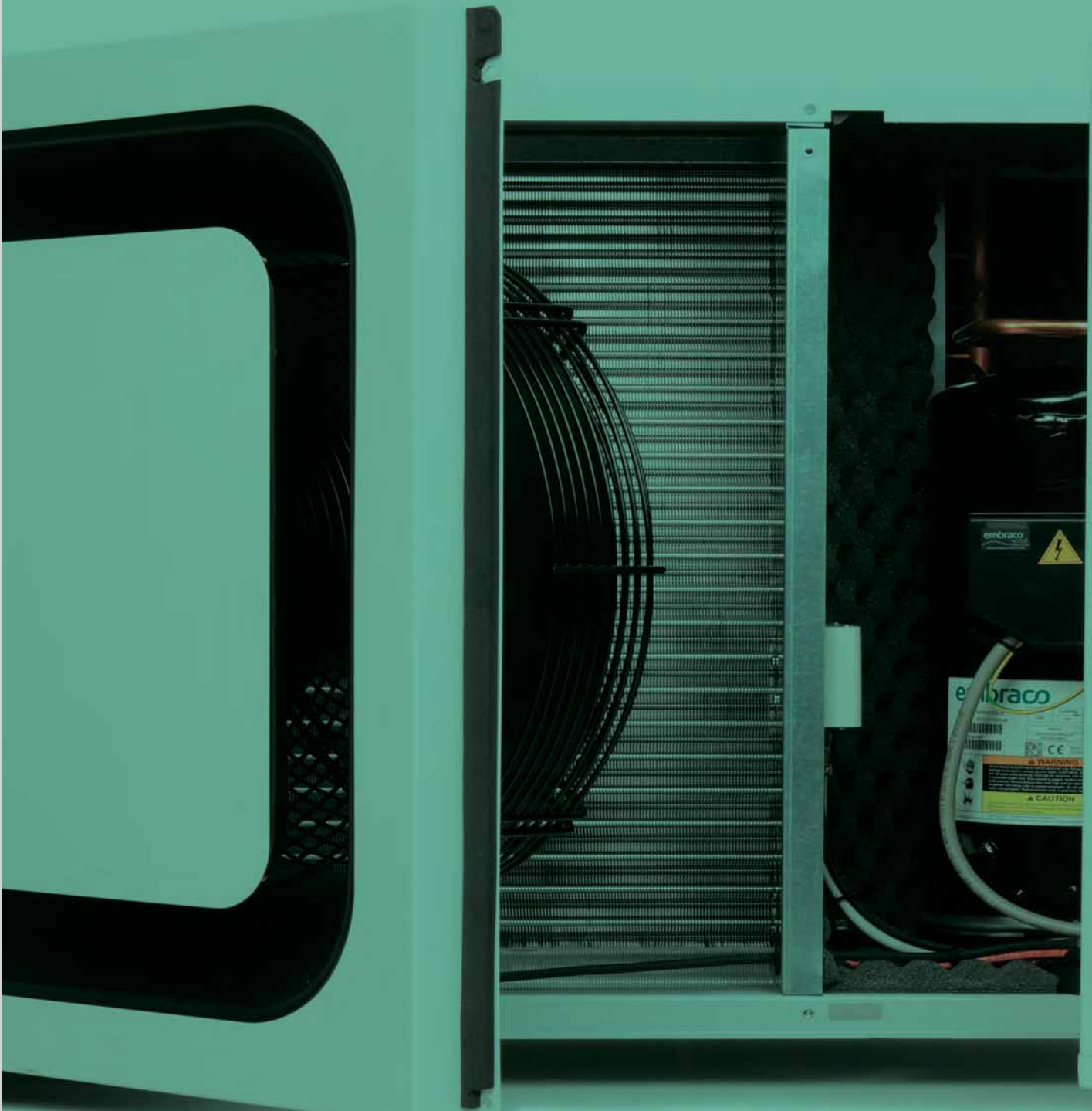


Multi-Refrigerant Platform

● R404A ● R452A ● R449A

● R134a ● R513A

embraco
Cooling Solutions





01

BIOMA
PRODUCT FEATURES

02

BIOMA
PRODUCTS INFO

03

GENERAL DATA
& PERFORMANCE

04

DIGITAL TOOLS



HIGH EFFICIENCY RANGE: FROM 0.5 Kw TO 10 Kw

0.5 Kw **LBPR404A - R449A - R452A** 4 Kw

0.7 Kw **MBP R134a - R513A** 6 Kw

0.7 Kw **MBP R404A - R449A - R452A** 10 Kw

BIOMA RANGE MAIN FEATURES



PERFORMANCE AND OPTIMIZED SOUND LEVEL

- Robust design to absorb vibration and noise
- Sound level as low as 28 dB (A)
- Acoustic jacket on scroll compressors
- Fan speed controller as standard
- 5 Faces insulated with acoustic foam



ACCESSIBILITY

- 3 door access on hinges – ¼ turn door lock to open
- Direct access to components you can set or change
- Direct access to fan and condenser



INNOVATIVE DESIGN

- Hidden fan - Stylish design for a new experience
- Unique airflow management
- Mini channel condenser – 40% less refrigerant charge



COMPACTNESS




- Optimized dimensions to reduce surface area (<math><0.6\text{m}^2</math>)
- 1 fan design for all housing sizes
- Stackability: Unique offer to stack units from different dimensions



FLEXIBILITY

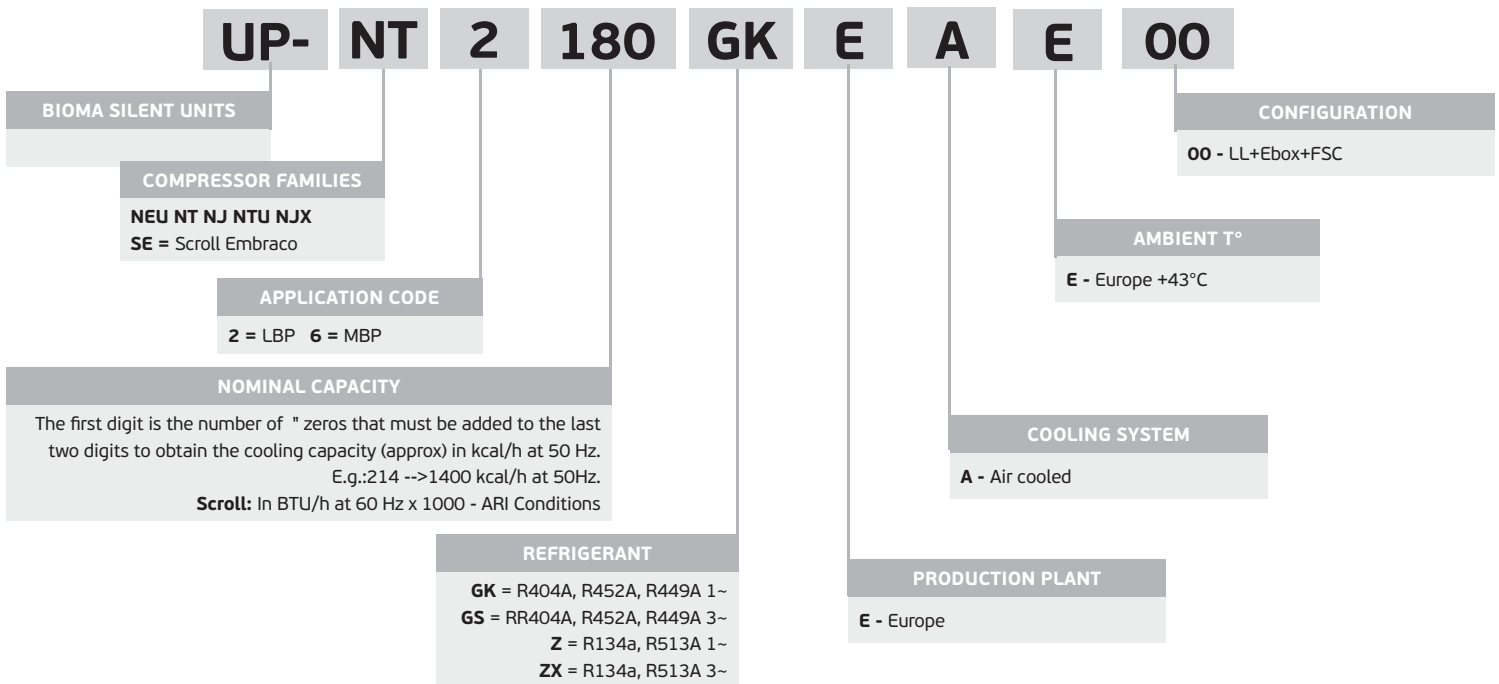
- Multi-Refrigerant platform: R404A, R449A, R452A, R134a, R513A
- Fully equipped electrical box
- Condenser treatment against corrosive environment
- Available with the complete range of Embraco hermetic and scroll compressors

THREE SIZES: A COMPLETE RANGE

HOUSING	DIMENSIONS (mm)	
1	982 x 484 x 600	
2	1082 x 490 x 708	
3	1277 x 538 x 1005	

NOMENCLATURE

MODEL DESCRIPTION



REFRIGERANTS MAP AND EQUIPMENT LEVEL

APPLICATION	SUPPLY	HOUSING	MODEL	R404A	R452A	R449A	R134A	R513A	E00					
									Low noise fan	Fan speed control	Liquid line	Fully equipped electr. box	Acoustic foam in compressor compart.	Acoustic jacket
MBP	1~	1	UP-NEU6212GK	●	●	●			✓	✓	✓	✓	✓	
			UP-NEU6215GK	●	●	●			✓	✓	✓	✓	✓	
			UP-NEU6220GK	●	●	●			✓	✓	✓	✓	✓	
			UP-NT6224GK	●	●	●			✓	✓	✓	✓	✓	
			UP-NT6226GK	●	●	●			✓	✓	✓	✓	✓	
			UP-NJ9232GK	●	●	●			✓	✓	✓	✓	✓	
			UP-NTU6238GKV	●	●	●			✓	✓	✓	✓	✓	
	2	UP-SE6015GK	●	●	●	●	●	✓	✓	✓	✓	✓	✓	✓
		UP-SE6018GK	●	●	●	●	●	✓	✓	✓	✓	✓	✓	✓
		UP-SE6021GK	●	●	●	●	●	✓	✓	✓	✓	✓	✓	✓
	3~	1	UP-NJ9232GS	●	●	●			✓	✓	✓	✓	✓	
			UP-NJ9238GS	●	●	●			✓	✓	✓	✓	✓	
		2	UP-NJX6250GS	●	●	●			✓	✓	✓	✓	✓	
			UP-SE6015GS	●	●	●	●	●	✓	✓	✓	✓	✓	✓
		UP-SE6018GS	●	●	●	●	●	✓	✓	✓	✓	✓	✓	
		UP-SE6021GS	●	●	●	●	●	✓	✓	✓	✓	✓	✓	
		3	UP-SE6026GS	●	●	●	●	●	✓	✓	✓	✓	✓	✓
			UP-SE6030GS	●	●	●	●	●	✓	✓	✓	✓	✓	✓
			UP-SE6036GS	●	●	●	●	●	✓	✓	✓	✓	✓	✓
			UP-SE6043GS	●	●	●	●	●	✓	✓	✓	✓	✓	✓
	1~	1	UP-NEU6214Z				●	●	✓	✓	✓	✓	✓	
			UP-NJ6220Z				●	●	✓	✓	✓	✓	✓	
	UP-NJ6226Z					●	●	✓	✓	✓	✓	✓		
	3~		UP-NJ6226ZX				●	●	✓	✓	✓	✓	✓	
LBP	1~	1	UP-NT2180GK	●	●				✓	✓	✓	✓	✓	
			UP-NT2192GK	●	●				✓	✓	✓	✓	✓	
			UP-NT2212GK	●	●				✓	✓	✓	✓	✓	
		2	UP-SE2006GK	●	●	●			✓	✓	✓	✓	✓	✓
			UP-SE2008GK	●	●	●			✓	✓	✓	✓	✓	✓
	3~	2	UP-SE2010GK	●	●	●			✓	✓	✓	✓	✓	✓
			UP-NJX2219GS	●	●	●			✓	✓	✓	✓	✓	
		3	UP-SE2006GS	●	●	●			✓	✓	✓	✓	✓	✓
			UP-SE2008GS	●	●	●			✓	✓	✓	✓	✓	✓
			UP-SE2010GS	●	●	●			✓	✓	✓	✓	✓	✓
			UP-SE2012GS-0	●	●	●			✓	✓	✓	✓	✓	✓
			UP-SE2014GS-0	●	●	●			✓	✓	✓	✓	✓	✓
			UP-SE2017GS-0	●	●	●			✓	✓	✓	✓	✓	✓
UP-SE2020GS-0	●	●	●			✓	✓	✓	✓	✓	✓			

R452A - MBP - SH10K

CONDENSING UNITS				COMPRESSORS		AMBIENT TEMP.	EN13125 - SUBCOOLING 0K - MIDPOINT								POWER		
CONDENSING UNITS MODELS	CONDENSING UNIT BOM	VOLTAGE SUPPLY (V)	I NOM (A)	COMPRESSOR MODELS	COMPRESSOR BOM		COOLING CAPACITY (W)										
							(°C)	-25°C	-20°C	-15°C	-10°C	-5°C	0°C	+5°C			

GENERAL DATA & PERFORMANCE

INPUT (W)					ECO DESIGN		DIMENSIONS (mm)			WEIGHT	ACOUSTICS dB (A)		CONDENSER/FAN					LIQUID RECEIVER		CONNECTION DIAMETERS			
-10°C	-5°C	0°C	+5°C	+10°C	Type	Cop/Seer	W (width)	D (depth)	H (height)	Net (kg)	Sound Press. @10m	Sound power level	Number of fan	Fan diameter (mm)	Airflow (m³/h)	Fan power (W)	Voltage supply (V)	Internal volume (dm³)	dm³	Suction (mm)	Liquid (mm)	Suction (")	Liquid (")
456	473	493	518	552	COP	1,76	982	484	600	67	28	59	1	350	1695	67	230/1/50	0,23	1,6	10	6	3/8	1/4
453	488	525	565	610																			
478	521	565	609	655																			
504	549	592	635	678																			
562	611	664	721	784																			
587	643	703	770	845	COP	1,84	982	484	600	67	28	59	1	350	1695	67	230/1/50	0,23	1,6	10	6	3/8	1/4
612	675	742	818	902																			
-	702	777	860	953																			
-	851	923	1000	1080																			
823	893	968	1045	1123																			
854	927	1003	1080	1156	COP	1,63	982	484	600	69	29	60	1	350	1695	67	230/1/50	0,23	1,6	12	8	1/2	3/8
-	954	1031	1107	1181																			
865	930	999	1071	1147																			
907	981	1058	1139	1224																			
944	1024	1109	1197	1290																			
-	1061	1152	1248	1347	COP	1,79	982	484	600	69	29	60	1	350	1523	67	230/1/50	0,45	2,3	12	8	1/2	3/8
901	978	1061	1152	1251																			
951	1036	1128	1226	1333																			
993	1086	1184	1290	1403																			
-	1127	1232	1344	1464																			
1025	1117	1215	1322	1443	COP	1,91	982	484	600	76	30	61	1	350	1523	67	230/1/50	0,45	2,3	16	8	5/8	3/8
1063	1170	1285	1412	1554																			
1096	1218	1349	1493	1653																			
-	1257	1402	1562	1738																			
1035	1133	1237	1353	1487																			
1070	1183	1306	1445	1606	COP	1,89	982	484	600	76	30	61	1	350	1523	67	230/1/50	0,45	2,3	16	8	5/8	8
1100	1227	1367	1527	1712																			
-	1264	1419	1596	1801																			
1039	1117	1201	1293	1394																			
1111	1201	1298	1404	1519																			
1168	1270	1380	1498	1627	COP	2,03	982	484	600	76	30	61	1	350	1523	67	230/1/50	0,45	2,3	16	8	5/8	3/8
-	1326	1447	1577	1718																			
1245	1363	1490	1634	1803																			
1284	1419	1567	1738	1937																			
1317	1467	1635	1828	2054																			
-	-	1691	1903	-	COP	1,92	982	484	600	76	30	61	1	350	1523	67	230/1/50	0,45	2,3	16	8	5/8	3/8
1599	1760	1932	2115	2312																			
1696	1871	2059	2260	2475																			
1775	1968	2173	2392	2627																			
-	2050	2273	2511	2763																			
1720	1851	1992	2142	2301	COP	1,96	1082	490	708	92	33	64	1	400	2673	120	230/1/50	0,71	3,9	18	12	5/8	1/2
1909	2054	2210	2375	2552																			
2102	2262	2432	2613	2807																			
2293	2466	2650	2846	3055																			
1691	1820	1958	2105	2261																			
1877	2019	2171	2334	2507																			
2066	2222	2389	2567	2757																			
2252	2422	2603	2795	2999																			
1991	2145	2310	2486	2674																			
2211	2382	2565	2760	2968	COP	2,02	1082	490	708	92	33	64	1	400	2545	120	230/1/50	0,91	3,9	18	12	3/4	1/2
2437	2624	2824	3038	3266																			
2660	2863	3079	3310	3556																			
1896	2041	2198	2365	2543																			
2104	2266	2438	2623	2819																			
2317	2494	2683	2885	3100																			
2527	2718	2923	3141	3372																			
2133	2305	2491	2692	2908																			
2370	2561	2767	2989	3228																			
2613	2823	3049	3292	3553	COP	2,1	1082	490	708	92	33	64	1	400	2545	120	230/1/50	0,91	3,9	18	12	3/4	1/2
2854	3082	3326	3588	3870																			
2649	2839	3042	3256	3481																			
2933	3143	3366	3602	3851																			
3219	3450	3694	3951	4223																			
3501	3750	4013	4291	4584	SEPR	3,26	1277	538	1005	107	36	67	1	500	5195	220	230/1/50	1,34	6	22	16	7/8	5/8
2931	3152	3388	3640	3907																			
3248	3492	3753	4030	4325																			
3570	3837	4122	4426	4748																			
3887	4176	4484	4811	5158																			
3436	3690	3961	4248	4551	SEPR	3,51	1277	538	1005	107	36	67	1	500	4739	220	230/1/50	2,23	6	22	16	7/8	5/8
3811	4091	4390	4706	5039																			
4189	4496	4822	5167	5532																			
4561	4893	5245	5616	6008																			
4149	4476	4829	5207	5610																			
4608	4971	5360	5777	6222																			
5077	5475	5901	6356	6843																			
5540	5970	6430	6921	7445																			

Note: Subject to modification without prior notification.

GENERAL DATA & PERFORMANCE

INPUT (W)			ECO DESIGN		DIMENSIONS (MM)			WEIGHT	ACOUSTICS dB (A)			CONDENSER/FAN					LIQUID RECEIVER	CONNECTION DIAMETERS			
0°C	+5°C	+10°C	Type	Cop/Seer	W (width)	D (depth)	H (height)	Net (kg)	Sound Press. @10m	Sound power level	Number of fan	Fan diameter (mm)	Airflow (m³/h)	Fan power (W)	Voltage supply (V)	Internal volume (dm³)	dm³	Suction (mm)	Liquid (mm)	Suction (")	Liquid (")
578	639	706	COP	1,79	982	484	600	67	28	59	1	350	1695	67	230/1/50	0,23	1,6	10	6	3/8	1/4
605	668	738																			
630	696	768																			
651	720	796																			
861	939	1037	COP	1,6	982	484	600	69	29	60	1	350	1695	67	230/1/51	0,23	1,6	12	6	1/2	1/4
892	982	1093																			
918	1020	1142																			
940	1051	1182																			
1062	1182	1322	COP	1,72	982	484	600	69	29	60	1	350	1695	67	230/1/52	0,23	1,6	12	6	1/2	1/4
1104	1232	1381																			
1134	1272	1429																			
1156	-	-																			
1004	1117	1242	COP	1,98	982	484	600	69	29	60	1	350	1695	67	230/1/53	0,23	1,6	12	6	1/2	1/4
1049	1174	1310																			
1089	1224	1369																			
1122	-	-																			
1186	1259	1331	COP	1,97	1082	490	708	92	33	64	1	400	2673	120	230/1/50	0,71	3,9	18	12	3/4	1/2
1298	1381	1464																			
1400	1491	1583																			
1490	1589	1688																			
1167	1239	1309	COP	2,00	1082	490	708	92	33	64	1	400	2673	120	230/1/50	0,71	3,9	18	12	3/4	1/2
1277	1359	1440																			
1377	1467	1557																			
1466	1563	1660																			
1368	1454	1539	COP	2,04	1082	490	708	92	33	64	1	400	2545	120	230/1/50	0,91	3,9	18	12	3/4	1/2
1498	1596	1694																			
1616	1724	1833																			
1722	1839	1956																			
1305	1386	1467	COP	2,14	1082	490	708	92	33	64	1	400	2545	120	230/1/50	0,91	3,9	18	12	3/4	1/2
1429	1522	1614																			
1541	1643	1746																			
1641	1752	1862																			
1536	1639	1743	COP	2,06	1082	490	708	92	33	64	1	400	2545	120	230/1/50	0,91	3,9	18	12	3/4	1/2
1681	1798	1915																			
1814	1942	2071																			
1933	2071	2209																			
1459	1556	1654	COP	2,17	1082	490	708	92	33	64	1	400	2545	120	230/1/50	0,91	3,9	18	12	3/4	1/2
1596	1706	1817																			
1721	1842	1964																			
1834	1963	2094																			
1841	1945	2045	COP	2,18	1277	538	1005	107	36	67	1	500	5195	220	230/1/50	1,34	6	22	16	7/8	5/8
2014	2134	2250																			
2170	2303	2433																			
2308	2452	2594																			
2025	2146	2265	COP	2,25	1277	538	1005	107	36	67	1	500	5195	220	230/1/50	1,34	6	22	16	7/8	5/8
2215	2353	2490																			
2386	2539	2691																			
2539	2704	2869																			
2381	2524	2664	SEPR	3,21	1277	538	1005	107	36	67	1	500	4739	220	230/1/50	2,23	6	22	16	7/8	5/8
2609	2773	2934																			
2815	2996	3176																			
2998	3194	3389																			
2851	3038	3225	SEPR	3,18	1277	538	1005	107	36	67	1	500	4739	220	230/1/50	2,23	6	22	16	7/8	5/8
3123	3334	3547																			
3369	3602	3836																			
3590	3840	4093																			

Note: Subject to modification without prior notification.

GENERAL DATA & PERFORMANCE

INPUT (W)			ECO DESIGN		DIMENSIONS (MM)			WEIGHT	ACOUSTICS dB (A)		CONDENSER/FAN					LIQUID RECEIVER	CONNECTION DIAMETERS				
°C	+5°C	+10°C	Type	Cop/Seer	W (width)	D (depth)	H (height)	Net (kg)	Sound Press. @10m	Sound power level	Number of fan	Fan diameter (mm)	Airflow (m³/h)	Fan power (W)	Voltage supply (V)	Internal volume (dm³)	dm³	Suction (mm)	Liquid (mm)	Suction (")	Liquid (")
577	638	706	-	-	982	484	600	67	28	59	1	350	1695	67	230/1/50	0,23	1,6	10	6	3/8	1/4
603	667	738																			
627	694	768																			
648	718	796																			
858	936	1037	-	-	982	484	600	69	29	60	1	350	1695	67	230/1/51	0,23	1,6	12	6	1/2	1/4
888	980	1093																			
914	1017	1141																			
936	1047	1180																			
1057	1179	1323	-	-	982	484	600	69	29	60	1	350	1695	67	230/1/52	0,23	1,6	12	6	1/2	1/4
1100	1230	1381																			
1129	1267	1424																			
1147	-	-																			
1000	1115	1243	-	-	982	484	600	69	29	60	1	350	1695	67	230/1/53	0,23	1,6	12	6	1/2	1/4
1044	1171	1310																			
1083	1220	1367																			
1114	-	-																			
1183	1256	1330	-	-	1082	490	708	92	33	64	1	400	2673	120	230/1/50	0,71	3,9	18	12	3/4	1/2
1292	1377	1464																			
1394	1489	1585																			
1484	1585	1688																			
1164	1236	1309	-	-	1082	490	708	92	33	64	1	400	2673	120	230/1/50	0,71	3,9	18	12	3/4	1/2
1271	1355	1440																			
1371	1464	1558																			
1459	1559	1660																			
1364	1450	1538	-	-	1082	490	708	92	33	64	1	400	2545	120	230/1/50	0,91	3,9	18	12	3/4	1/2
1491	1592	1694																			
1610	1721	1835																			
1714	1834	1955																			
1301	1383	1466	-	-	1082	490	708	92	33	64	1	400	2545	120	230/1/50	0,91	3,9	18	12	3/4	1/2
1422	1517	1614																			
1535	1640	1748																			
1634	1747	1862																			
1530	1634	1741	-	-	1082	490	708	92	33	64	1	400	2545	120	230/1/50	0,91	3,9	18	12	3/4	1/2
1673	1793	1916																			
1806	1938	2073																			
1923	2063	2206																			
1453	1551	1653	-	-	1082	490	708	92	33	64	1	400	2545	120	230/1/50	0,91	3,9	18	12	3/4	1/2
1588	1701	1818																			
1714	1838	1965																			
1825	1957	2092																			
1839	1942	2045	-	-	1277	538	1005	107	36	67	1	500	5195	220	230/1/50	1,34	6	22	16	7/8	5/8
2005	2127	2250																			
2161	2298	2436																			
2299	2448	2596																			
2020	2142	2264	-	-	1277	538	1005	107	36	67	1	500	5195	220	230/1/50	1,34	6	22	16	7/8	5/8
2204	2346	2490																			
2376	2534	2694																			
2528	2698	2870																			
2377	2519	2663	-	-	1277	538	1005	107	36	67	1	500	4739	220	230/1/50	2,23	6	22	16	7/8	5/8
2597	2765	2934																			
2803	2991	3179																			
2986	3187	3390																			
2841	3029	3223	-	-	1277	538	1005	107	36	67	1	500	4739	220	230/1/50	2,23	6	22	16	7/8	5/8
3107	3325	3548																			
3355	3595	3840																			
3573	3829	4090																			

Note: Subject to modification without prior notification.

GENERAL DATA & PERFORMANCE

		ECO DESIGN		DIMENSIONS (mm)			WEIGHT	ACOUSTICS dB (A)		CONDENSER/FAN						LIQUID RECEIVER	CONNECTION DIAMETERS			
-15°C	-10°C	Type	Cop/Seer	W (width)	D (depth)	H (height)	Net (kg)	Sound Press. @10m	Sound power level	Number of fan	Fan diameter (mm)	Airflow (m ³ /h)	Fan power (W)	Voltage supply (V)	Internal volume (dm ³)	dm ³	Suction (mm)	Liquid (mm)	Suction (")	Liquid (")
849	954	COP	0,98	982	484	600	69	29	60	1	350	1695	67	230/1/50	0,23	1,6	12	6	1/2	1/4
894	1001																			
921	1026																			
933	1033																			
913	1025	COP	1	982	484	600	69	29	60	1	350	1695	67	230/1/50	0,23	1,6	12	8	1/2	3/8
957	1079																			
992	1121																			
1016	1151																			
1135	1274	COP	1,09	982	484	600	69	29	60	1	350	1523	67	230/1/50	0,45	2,3	16	8	1/2	3/8
1193	1341																			
1239	1391																			
1270	1425																			
1640	1840	COP	1,09	1082	490	708	88	34	65	1	400	2673	120	230/1/50	0,71	3,9	16	8	1/2	3/8
1722	1931																			
1791	2012																			
1847	2080																			
1440	1539	COP	1,08	1082	490	708	92	33	64	1	400	2673	120	230/1/50	0,71	3,9	18	10	3/4	3/8
1599	1706																			
1749	1865																			
1893	2015																			
1428	1526	COP	1,09	1082	490	708	92	33	64	1	400	2673	120	230/1/50	0,71	3,9	18	10	3/4	3/8
1585	1692																			
1735	1849																			
1877	1998																			
1879	2020	COP	1,05	1082	490	708	92	33	64	1	400	2673	120	230/1/50	0,71	3,9	18	10	3/4	3/8
2087	2240																			
2289	2453																			
2484	2656																			
1842	1980	COP	1,08	1082	490	708	92	33	64	1	400	2673	120	230/1/50	0,71	3,9	18	10	3/4	3/8
2045	2195																			
2242	2403																			
2433	2602																			
2234	2412	COP	1,04	1082	490	708	92	33	64	1	400	2673	120	230/1/50	0,71	3,9	18	10	3/4	3/8
2482	2675																			
2727	2933																			
2965	3182																			
2182	2356	COP	1,06	1082	490	708	92	33	64	1	400	2673	120	230/1/50	0,71	3,9	18	10	3/4	3/8
2424	2612																			
2662	2863																			
2894	3105																			
2721	2907	SEPR	1,77	1277	538	1005	107	36	67	1	500	5195	220	230/1/50	1,34	6	22	12	7/8	1/2
3020	3225																			
3306	3525																			
3577	3808																			
2931	3142	SEPR	1,91	1277	538	1005	107	36	67	1	500	5195	220	230/1/50	1,34	6	22	12	7/8	1/2
3251	3481																			
3559	3805																			
3853	4111																			
3418	3680	SEPR	1,95	1277	538	1005	107	36	67	1	500	5195	220	230/1/50	1,34	6	22	12	7/8	1/2
3791	4075																			
4154	4456																			
4504	4821																			
4049	4378	SEPR	1,93	1277	538	1005	107	36	67	1	500	5195	220	230/1/50	1,34	6	22	12	7/8	1/2
4492	4848																			
4929	5307																			
5353	5749																			

Note: Subject to modification without prior notification.

R452A - LBP - SH10K

CONDENSING UNITS				COMPRESSORS		AMBIENT TEMP. (°C)	EN13125 - SUBCOOLING OK - MIDPOINT								POWER INPUT (W)			
CONDENSING UNITS MODELS	CONDENSING UNIT BOM	VOLTAGE SUPPLY (V)	I NOM (A)	COMPRESSOR MODELS	COMPRESSOR BOM		COOLING CAPACITY (W)											
							-35°C	-30°C	-25°C	-20°C	-15°C	-10°C	-35°C	-30°C	-25°C	-20°C		
UP-NT2180GK-EAE00	503HAS6C4FI	CP: 230V-1ph-50Hz Fan: 230V-1ph-50Hz	2,4	NT2180GK-A-CSR	923HA0404AF	25	571	732	932	1168	1435	1730	556	611	674	749		
						32	487	634	812	1019	1252	1507	552	623	700	785		
						38	412	546	705	887	1090	1313	557	638	722	811		
						43	-	474	616	777	956	1151	-	648	735	824		
UP-NT2192GK-EAE00	503EAS6C4FI	CP: 230V-1ph-50Hz Fan: 230V-1ph-50Hz	2,7	NT2192GK-A-CSR	923EA0404AF	25	615	787	992	1229	1499	1799	580	651	725	807		
						32	522	677	859	1070	1309	1574	584	664	748	839		
						38	441	580	743	931	1143	1379	586	674	765	864		
						43	-	503	649	816	1006	1217	-	679	776	881		
UP-NT2212GK-EAE00	505DAS6C4FI	CP: 230V-1ph-50Hz Fan: 230V-1ph-50Hz	3,7	NT2212GK-A-CSR	925DA0204AF	25	814	1038	1314	1643	2023	2451	708	793	889	998		
						32	693	899	1149	1445	1785	2165	711	811	921	1043		
						38	589	777	1003	1269	1572	1912	718	830	950	1079		
						43	-	677	882	1121	1394	1699	-	844	970	1105		
UP-NJX2219GS-EAE00	545ASS6C3FI	CP: 400V-3ph-50Hz Fan: 230V-1ph-50Hz	2,3	NJX2219GS-M	945AS2101AA	25	1118	1478	1922	2442	3030	3677	994	1128	1277	1441		
						32	1016	1338	1730	2189	2706	3274	1031	1175	1334	1508		
						38	896	1186	1537	1945	2405	2908	1052	1207	1377	1562		
						43	783	1047	1365	1733	2146	2597	1060	1227	1408	1604		
UP-SE2006GK-EAE00	5S3ACS6C4FI	CP: 230V-1ph-50Hz Fan: 230V-1ph-50Hz	5,6	SE2006GK-C	303AC1204AA	25	1316	1621	1991	2435	2959	3567	1115	1180	1253	1333		
						32	1178	1460	1801	2208	2688	3245	1219	1294	1377	1469		
						38	1054	1311	1621	1992	2430	2940	1341	1422	1512	1610		
						43	950	1181	1462	1799	2200	2667	1466	1549	1641	1744		
UP-SE2006GS-EAE00	5S3AOS6C3FI	CP: 400V-3ph-50Hz Fan: 230V-1ph-50Hz	2,4	SE2006GS-O	303A01201AA	25	1317	1621	1992	2436	2959	3568	1106	1171	1243	1322		
						32	1178	1460	1801	2209	2689	3247	1209	1284	1366	1457		
						38	1055	1312	1622	1993	2432	2942	1330	1410	1499	1597		
						43	950	1182	1463	1801	2201	2669	1453	1536	1628	1729		
UP-SE2008GK-EAE00	5S3BCS6C4FI	CP: 230V-1ph-50Hz Fan: 230V-1ph-50Hz	7,2	SE2008GK-C	303BC1204AA	25	1650	2030	2488	3033	3671	4407	1415	1505	1606	1719		
						32	1472	1821	2239	2735	3316	3984	1557	1660	1776	1904		
						38	1314	1628	2006	2455	2980	3586	1722	1832	1955	2092		
						43	1179	1461	1800	2205	2681	3233	1888	2001	2128	2268		
UP-SE2008GS-EAE00	5S3BOS6C3FI	CP: 400V-3ph-50Hz Fan: 230V-1ph-50Hz	2,7	SE2008GS-O	303B01201AA	25	1652	2031	2490	3036	3675	4411	1388	1476	1575	1686		
						32	1474	1822	2241	2738	3320	3989	1527	1628	1741	1866		
						38	1315	1630	2009	2458	2985	3592	1688	1796	1916	2050		
						43	1181	1463	1803	2209	2686	3240	1851	1961	2085	2222		
UP-SE2010GK-EAE00	5S3CCS6C4FI	CP: 230V-1ph-50Hz Fan: 230V-1ph-50Hz	8,4	SE2010GK-C	303CC1204AA	25	1911	2346	2871	3491	4212	5037	1650	1761	1886	2028		
						32	1700	2098	2574	3135	3786	4530	1825	1951	2093	2252		
						38	1513	1870	2297	2800	3386	4057	2024	2158	2309	2478		
						43	1355	1673	2053	2504	3031	3638	2224	2361	2516	2688		
UP-SE2010GS-EAE00	5S3COS6C3FI	CP: 400V-3ph-50Hz Fan: 230V-1ph-50Hz	4,3	SE2010GS-O	303C01201AA	25	1913	2349	2874	3495	4217	5044	1613	1722	1844	1982		
						32	1703	2101	2578	3140	3792	4538	1783	1906	2045	2200		
						38	1516	1874	2302	2806	3394	4067	1977	2108	2256	2420		
						43	1358	1677	2058	2511	3040	3650	2172	2305	2456	2624		
UP-SE2012GS-EAE00	5S3GOS6C3FI	CP: 400V-3ph-50Hz Fan: 230V-1ph-50Hz	5,4	SE2012GS-O	303G01201AA	25	2562	3155	3876	4739	5758	6942	2105	2229	2366	2518		
						32	2293	2842	3505	4298	5233	6318	2302	2444	2602	2775		
						38	2052	2553	3157	3880	4733	5726	2533	2686	2855	3042		
						43	1849	2301	2848	3505	4285	5197	2768	2925	3101	3295		
UP-SE2014GS-EAE00	5S3DOS6C3FI	CP: 400V-3ph-50Hz Fan: 230V-1ph-50Hz	5,2	SE2014GS-O	303D01201AA	25	2965	3649	4477	5466	6627	7971	2238	2375	2528	2697		
						32	2651	3282	4042	4947	6009	7237	2453	2610	2784	2977		
						38	2372	2945	3635	4457	5424	6544	2703	2871	3058	3264		
						43	2135	2651	3275	4021	4902	5927	2956	3128	3321	3535		
UP-SE2017GS-EAE00	5S3EOS6C3FI	CP: 400V-3ph-50Hz Fan: 230V-1ph-50Hz	6,3	SE2017GS-O	303E01201AA	25	3475	4270	5230	6371	7704	9235	2562	2727	2913	3121		
						32	3101	3832	4709	5748	6959	8350	2819	3007	3218	3453		
						38	2769	3430	4223	5161	6258	7521	3115	3316	3541	3791		
						43	2489	3081	3793	4640	5635	6786	3412	3618	3849	4106		
UP-SE2020GS-EAE00	5S3FOS6C3FI	CP: 400V-3ph-50Hz Fan: 230V-1ph-50Hz	6,9	SE2020GS-O	303FO1201AA	25	4012	4923	6018	7311	8811	10521	2977	3179	3409	3670		
						32	3573	4406	5399	6569	7923	9467	3290	3520	3779	4070		
						38	3183	3932	4824	5874	7094	8487	3645	3890	4165	4472		
						43	2854	3521	4318	5260	6359	7621	4000	4250	4531	4845		

GENERAL DATA & PERFORMANCE

		ECO DESIGN		DIMENSIONS (mm)			WEIGHT	ACOUSTICS dB (A)		CONDENSER/FAN						LIQUID RECEIVER	CONNECTION DIAMETERS				
-15°C	-10°C	Type	Cop/Seer	W (width)	D (depth)	H (height)	Net (kg)	Sound Press. @10m	Sound power level	Number of fan	Fan diameter (mm)	Airflow (m ³ /h)	Fan power (W)	Voltage supply (V)	Internal volume (dm ³)	dm ³	Suction (mm)	Liquid (mm)	Suction (")	Liquid (")	
837	942																				
880	987	-	-	982	484	600	69	29	60	1	350	1695	67	230/1/50	0,23	1,6	12	6	1/2	1/4	
907	1012																				
919	1019																				
900	1012																				
943	1063	-	-	982	484	600	69	29	60	1	350	1695	67	230/1/50	0,23	1,6	12	8	1/2	3/8	
975	1103																				
998	1132																				
1121	1260	-	-	982	484	600	69	29	60	1	350	1523	67	230/1/50	0,45	2,3	16	8	1/2	3/8	
1176	1323																				
1219	1370																				
1249	1403																				
1623	1821	-	-	1082	490	708	88	34	65	1	400	2673	120	230/1/50	0,71	3,9	16	8	1/2	3/8	
1699	1908																				
1764	1984																				
1817	2048																				
1421	1518	-	-	1082	490	708	92	33	64	1	400	2673	120	230/1/50	0,71	3,9	18	10	3/4	3/8	
1570	1679																				
1718	1836																				
1856	1977																				
1410	1505	-	-	1082	490	708	92	33	64	1	400	2673	120	230/1/50	0,71	3,9	18	10	3/4	3/8	
1557	1665																				
1704	1820																				
1840	1961																				
1845	1986																				
2045	2201	-	-	1082	490	708	92	33	64	1	400	2673	120	230/1/50	0,71	3,9	18	10	3/4	3/8	
2242	2407																				
2423	2592																				
1809	1946																				
2004	2157	-	-	1082	490	708	92	33	64	1	400	2673	120	230/1/50	0,71	3,9	18	10	3/4	3/8	
2197	2358																				
2374	2539																				
2188	2367																				
2429	2625	-	-	1082	490	708	92	33	64	1	400	2673	120	230/1/50	0,71	3,9	18	10	3/4	3/8	
2664	2869																				
2878	3087																				
2138	2312																				
2372	2563	-	-	1082	490	708	92	33	64	1	400	2673	120	230/1/50	0,71	3,9	18	10	3/4	3/8	
2602	2801																				
2810	3014																				
2685	2868																				
2966	3173	-	-	1277	538	1005	107	36	67	1	500	5195	220	230/1/50	1,34	6	22	12	7/8	1/2	
3247	3469																				
3507	3737																				
2885	3094																				
3190	3423	-	-	1277	538	1005	107	36	67	1	500	5195	220	230/1/50	1,34	6	22	12	7/8	1/2	
3492	3740																				
3769	4025																				
3354	3615																				
3714	4002	-	-	1277	538	1005	107	36	67	1	500	5195	220	230/1/50	1,34	6	22	12	7/8	1/2	
4067	4370																				
4390	4700																				
3963	4294																				
4394	4754	-	-	1277	538	1005	107	36	67	1	500	5195	220	230/1/50	1,34	6	22	12	7/8	1/2	
4813	5188																				
5193	5574																				

Note: Subject to modification without prior notification.

R449A - LBP - RTG20

CONDENSING UNITS				COMPRESSORS		AMBIENT TEMP.	EN13125 - SUBCOOLING 0K - MIDPOINT						POWER INPUT (W)			
CONDENSING UNITS MODELS	CONDENSING UNIT BOM	VOLTAGE SUPPLY (V)	I NOM (A)	COMPRESSOR MODELS	COMPRESSOR BOM		COOLING CAPACITY (W)						-35°C	-30°C	-25°C	-20°C
UP-SE2006GK-EAE00	5S3ACS6C4FI	CP: 230V-1ph-50Hz Fan: 230V-1ph-50Hz	5,6	SE2006GK-C	303AC1204AA	25	1341	1689	2087	2543	3064	3656	1062	1131	1206	1286
						32	1270	1575	1931	2343	2820	3366	1185	1259	1341	1431
						38	1195	1469	1790	2168	2609	3120	1323	1401	1488	1585
						43	1125	1373	1669	2020	2434	2917	1469	1550	1643	1745
UP-SE2006GS-EAE00	5S3AOS6C3FI	CP: 400V-3ph-50Hz Fan: 230V-1ph-50Hz	2,4	SE2006GS-O	303AO1201AA	25	1341	1689	2087	2544	3065	3657	1054	1122	1196	1276
						32	1270	1576	1931	2344	2820	3367	1176	1249	1331	1419
						38	1196	1469	1791	2169	2610	3121	1312	1389	1476	1572
						43	1125	1374	1670	2021	2435	2918	1457	1537	1629	1731
UP-SE2008GK-EAE00	5S3BCS6C4FI	CP: 230V-1ph-50Hz Fan: 230V-1ph-50Hz	7,2	SE2008GK-C	303BC1204AA	25	1698	2128	2618	3177	3812	4530	1352	1446	1550	1663
						32	1603	1980	2417	2921	3501	4165	1519	1620	1734	1859
						38	1504	1841	2235	2696	3233	3853	1706	1814	1936	2072
						43	1411	1716	2077	2506	3008	3593	1907	2020	2150	2296
UP-SE2008GS-EAE00	5S3BOS6C3FI	CP: 400V-3ph-50Hz Fan: 230V-1ph-50Hz	2,7	SE2008GS-O	303BO1201AA	25	1698	2129	2620	3179	3815	4534	1327	1419	1520	1631
						32	1604	1981	2418	2923	3504	4169	1489	1589	1700	1822
						38	1506	1842	2237	2699	3237	3857	1672	1777	1897	2030
						43	1412	1717	2080	2509	3012	3598	1869	1979	2106	2248
UP-SE2010GK-EAE00	5S3CCS6C4FI	CP: 230V-1ph-50Hz Fan: 230V-1ph-50Hz	8,4	SE2010GK-C	303CC1204AA	25	1981	2473	3032	3667	4386	5196	1581	1697	1825	1966
						32	1865	2296	2793	3365	4022	4770	1783	1908	2049	2206
						38	1746	2129	2577	3100	3707	4405	2013	2146	2299	2470
						43	1633	1979	2390	2874	3442	4100	2262	2402	2565	2749
UP-SE2010GS-EAE00	5S3COS6C3FI	CP: 400V-3ph-50Hz Fan: 230V-1ph-50Hz	4,3	SE2010GS-O	303CO1201AA	25	1982	2475	3035	3670	4390	5201	1546	1659	1784	1921
						32	1867	2298	2796	3369	4027	4776	1743	1865	2002	2155
						38	1748	2132	2581	3105	3713	4412	1966	2096	2245	2412
						43	1635	1982	2394	2880	3448	4108	2208	2344	2503	2682
UP-SE2012GS-EAE00	5S3GOS6C3FI	CP: 400V-3ph-50Hz Fan: 230V-1ph-50Hz	5,4	SE2012GS-O	303GO1201AA	25	2609	3286	4063	4951	5966	7119	2004	2134	2276	2428
						32	2471	3067	3759	4563	5491	6556	2237	2377	2532	2701
						38	2327	2860	3487	4223	5083	6078	2496	2644	2810	2992
						43	2190	2674	3251	3935	4741	5683	2773	2926	3100	3294
UP-SE2014GS-EAE00	5S3DOS6C3FI	CP: 400V-3ph-50Hz Fan: 230V-1ph-50Hz	5,2	SE2014GS-O	303DO1201AA	25	3033	3811	4701	5717	6873	8183	2135	2278	2435	2605
						32	2869	3553	4347	5265	6323	7535	2388	2542	2713	2901
						38	2699	3311	4029	4870	5850	6983	2669	2832	3016	3220
						43	2538	3093	3753	4535	5455	6526	2970	3140	3334	3551
UP-SE2017GS-EAE00	5S3EOS6C3FI	CP: 400V-3ph-50Hz Fan: 230V-1ph-50Hz	6,3	SE2017GS-O	303EO1201AA	25	3577	4481	5509	6679	8006	9504	2449	2622	2812	3020
						32	3378	4171	5087	6144	7358	8744	2749	2935	3143	3373
						38	3172	3879	4707	5675	6799	8095	3085	3282	3506	3757
						43	2976	3618	4378	5277	6331	7556	3446	3652	3889	4157
UP-SE2020GS-EAE00	5S3FOS6C3FI	CP: 400V-3ph-50Hz Fan: 230V-1ph-50Hz	6,9	SE2020GS-O	303FO1201AA	25	4162	5194	6362	7687	9184	10869	2854	3064	3299	3557
						32	3921	4824	5864	7060	8429	9987	3215	3443	3701	3987
						38	3673	4476	5415	6509	7776	9232	3625	3868	4146	4460
						43	3437	4165	5026	6041	7228	8603	4067	4323	4619	4956

GENERAL DATA & PERFORMANCE

		ECO DESIGN		DIMENSIONS (mm)			WEIGHT	ACOUSTICS dB (A)		CONDENSER/FAN						LIQUID RECEIVER	CONNECTION DIAMETERS			
-15°C	-10°C	Type	Cop/Seer	W (width)	D (depth)	H (height)	Net (kg)	Sound Press. @10m	Sound power level	Number of fan	Fan diameter (mm)	Airflow (m³/h)	Fan power (W)	Voltage supply (V)	Internal volume (dm³)	dm³	Suction (mm)	Liquid (mm)	Suction (")	Liquid (")
1372	1463	COP	1,06	1082	490	708	92	33	64	1	400	2673	120	230/1/50	0,71	3,9	18	10	3/4	3/8
1527	1629																			
1690	1804																			
1858	1981																			
1361	1451	COP	1,06	1082	490	708	92	33	64	1	400	2673	120	230/1/50	0,71	3,9	18	10	3/4	3/8
1514	1615																			
1676	1788																			
1842	1964																			
1785	1916	COP	1,04	1082	490	708	92	33	64	1	400	2673	120	230/1/50	0,71	3,9	18	10	3/4	3/8
1996	2144																			
2223	2388																			
2459	2639																			
1750	1878	COP	1,06	1082	490	708	92	33	64	1	400	2673	120	230/1/50	0,71	3,9	18	10	3/4	3/8
1956	2101																			
2177	2339																			
2407	2584																			
2120	2288	COP	1,03	1082	490	708	92	33	64	1	400	2673	120	230/1/50	0,71	3,9	18	10	3/4	3/8
2379	2570																			
2662	2876																			
2958	3193																			
2071	2235	COP	1,06	1082	490	708	92	33	64	1	400	2673	120	230/1/50	0,71	3,9	18	10	3/4	3/8
2323	2509																			
2598	2806																			
2886	3114																			
2590	2761	SEPR	1,64	1277	538	1005	107	36	67	1	500	5195	220	230/1/50	1,34	6	22	12	7/8	1/2
2882	3075																			
3191	3405																			
3508	3740																			
2787	2981	SEPR	1,68	1277	538	1005	107	36	67	1	500	5195	220	230/1/50	1,34	6	22	12	7/8	1/2
3105	3324																			
3443	3686																			
3791	4055																			
3245	3488	SEPR	1,73	1277	538	1005	107	36	67	1	500	5195	220	230/1/50	1,34	6	22	12	7/8	1/2
3625	3899																			
4034	4339																			
4457	4790																			
3840	4150	SEPR	1,73	1277	538	1005	107	36	67	1	500	5195	220	230/1/50	1,34	6	22	12	7/8	1/2
4305	4656																			
4811	5204																			
5338	5769																			

Note: Subject to modification without prior notification.

R449A - LBP - SH10K

CONDENSING UNITS				COMPRESSORS		AMBIENT TEMP. (°C)	EN13125 - SUBCOOLING OK - MIDPOINT						POWER INPUT (W)			
CONDENSING UNITS MODELS	CONDENSING UNIT BOM	VOLTAGE SUPPLY (V)	I NOM (A)	COMPRESSOR MODELS	COMPRESSOR BOM		COOLING CAPACITY (W)									
							-35°C	-30°C	-25°C	-20°C	-15°C	-10°C	-35°C	-30°C	-25°C	-20°C
UP-SE2006GK-EAE00	5S3ACS6C4FI	CP: 230V-1ph-50Hz Fan: 230V-1ph-50Hz	5,6	SE2006GK-C	303AC1204AA	25	1286	1632	2030	2488	3013	3611	1068	1132	1203	1280
						32	1212	1512	1864	2274	2750	3300	1178	1249	1329	1417
						38	1121	1387	1703	2078	2518	3031	1315	1390	1476	1571
						43	1034	1275	1566	1913	2327	2813	1461	1538	1627	1728
UP-SE2006GS-EAE00	5S3AOS6C3FI	CP: 400V-3ph-50Hz Fan: 230V-1ph-50Hz	2,4	SE2006GS-O	303AO1201AA	25	1286	1632	2030	2488	3013	3612	1060	1124	1194	1270
						32	1213	1513	1864	2275	2751	3301	1168	1239	1318	1405
						38	1121	1387	1704	2078	2519	3032	1304	1379	1463	1558
						43	1035	1276	1566	1914	2328	2814	1449	1526	1614	1713
UP-SE2008GK-EAE00	5S3BCS6C4FI	CP: 400V-3ph-50Hz Fan: 230V-1ph-50Hz	7,2	SE2008GK-C	303BC1204AA	25	1630	2057	2546	3105	3743	4467	1355	1443	1541	1650
						32	1527	1896	2326	2826	3405	4070	1507	1605	1716	1839
						38	1405	1731	2118	2574	3110	3732	1694	1798	1917	2051
						43	1292	1587	1942	2367	2870	3461	1893	2000	2124	2265
UP-SE2008GS-EAE00	5S3BOS6C3FI	CP: 400V-3ph-50Hz Fan: 230V-1ph-50Hz	2,7	SE2008GS-O	303BO1201AA	25	1631	2058	2548	3107	3746	4470	1329	1415	1512	1618
						32	1528	1897	2328	2829	3408	4075	1478	1574	1682	1803
						38	1406	1733	2120	2577	3113	3737	1661	1762	1879	2009
						43	1293	1590	1945	2370	2874	3466	1855	1959	2081	2218
UP-SE2010GK-EAE00	5S3CCS6C4FI	CP: 230V-1ph-50Hz Fan: 230V-1ph-50Hz	8,4	SE2010GK-C	303CC1204AA	25	1903	2391	2946	3580	4300	5114	1580	1688	1810	1946
						32	1773	2193	2681	3248	3901	4650	1769	1889	2027	2181
						38	1625	1997	2435	2952	3557	4259	1998	2126	2274	2441
						43	1491	1827	2230	2711	3281	3949	2241	2373	2527	2704
UP-SE2010GS-EAE00	5S3COS6C3FI	CP: 400V-3ph-50Hz Fan: 230V-1ph-50Hz	4,3	SE2010GS-O	303CO1201AA	25	1904	2392	2949	3584	4305	5120	1545	1651	1770	1903
						32	1774	2196	2685	3252	3907	4657	1729	1846	1980	2131
						38	1627	1999	2439	2957	3563	4266	1951	2076	2220	2383
						43	1494	1830	2234	2716	3287	3957	2188	2316	2467	2639
UP-SE2012GS-EAE00	5S3GOS6C3FI	CP: 400V-3ph-50Hz Fan: 230V-1ph-50Hz	5,4	SE2012GS-O	303GO1201AA	25	2502	3176	3951	4843	5866	7032	2016	2138	2272	2417
						32	2360	2944	3629	4428	5357	6428	2223	2358	2509	2675
						38	2182	2701	3317	4047	4905	5906	2481	2624	2785	2965
						43	2014	2484	3050	3728	4534	5482	2757	2904	3072	3261
UP-SE2014GS-EAE00	5S3DOS6C3FI	CP: 400V-3ph-50Hz Fan: 230V-1ph-50Hz	5,2	SE2014GS-O	303DO1201AA	25	2911	3684	4572	5591	6754	8077	2144	2277	2426	2589
						32	2737	3408	4191	5103	6161	7377	2371	2520	2687	2872
						38	2528	3122	3827	4660	5638	6776	2652	2809	2988	3189
						43	2331	2870	3517	4292	5211	6291	2951	3113	3299	3510
UP-SE2017GS-EAE00	5S3EOS6C3FI	CP: 400V-3ph-50Hz Fan: 230V-1ph-50Hz	6,3	SE2017GS-O	303EO1201AA	25	3436	4332	5357	6527	7859	9368	2453	2614	2794	2994
						32	3217	3993	4895	5943	7153	8543	2728	2907	3110	3337
						38	2962	3649	4461	5418	6538	7840	3063	3253	3471	3716
						43	2727	3349	4095	4986	6041	7279	3419	3615	3842	4100
UP-SE2020GS-EAE00	5S3FOS6C3FI	CP: 400V-3ph-50Hz Fan: 230V-1ph-50Hz	6,9	SE2020GS-O	303FO1201AA	25	3999	5020	6182	7504	9002	10694	2850	3047	3271	3521
						32	3726	4607	5629	6812	8174	9734	3188	3408	3659	3942
						38	3419	4198	5117	6199	7462	8925	3597	3830	4099	4405
						43	3140	3846	4692	5699	6891	8287	4028	4269	4550	4872

GENERAL DATA & PERFORMANCE

		ECO DESIGN		DIMENSIONS (mm)			WEIGHT	ACOUSTICS dB (A)		CONDENSER/FAN						LIQUID RECEIVER	CONNECTION DIAMETERS				
-15°C	-10°C	Type	Cop/Seer	W (width)	D (depth)	H (height)	Net (kg)	Sound Press. @10m	Sound power level	Number of fan	Fan diameter (mm)	Airflow (m ³ /h)	Fan power (W)	Voltage supply (V)	Internal volume (dm ³)	dm ³	Suction (mm)	Liquid (mm)	Suction (")	Liquid (")	
1363	1452																				
1512	1615	-	-	1082	490	708	92	33	64	1	400	2673	120	230/1/50	0,71	3,9	18	10	3/4	3/8	
1675	1789																				
1839	1960																				
1352	1441																				
1500	1602	-	-	1082	490	708	92	33	64	1	400	2673	120	230/1/50	0,71	3,9	18	10	3/4	3/8	
1661	1774																				
1823	1943																				
1769	1899																				
1976	2125	-	-	1082	490	708	92	33	64	1	400	2673	120	230/1/50	0,71	3,9	18	10	3/4	3/8	
2200	2364																				
2423	2599																				
1734	1861																				
1936	2082	-	-	1082	490	708	92	33	64	1	400	2673	120	230/1/50	0,71	3,9	18	10	3/4	3/8	
2155	2315																				
2373	2545																				
2098	2265																				
2354	2545	-	-	1082	490	708	92	33	64	1	400	2673	120	230/1/50	0,71	3,9	18	10	3/4	3/8	
2629	2839																				
2904	3129																				
2050	2213																				
2299	2485	-	-	1082	490	708	92	33	64	1	400	2673	120	230/1/50	0,71	3,9	18	10	3/4	3/8	
2566	2771																				
2833	3052																				
2574	2742																				
2855	3050	-	-	1277	538	1005	107	36	67	1	500	5195	220	230/1/50	1,34	6	22	12	7/8	1/2	
3163	3377																				
3470	3700																				
2765	2957																				
3074	3295	-	-	1277	538	1005	107	36	67	1	500	5195	220	230/1/50	1,34	6	22	12	7/8	1/2	
3410	3653																				
3745	4004																				
3214	3456																				
3588	3864	-	-	1277	538	1005	107	36	67	1	500	5195	220	230/1/50	1,34	6	22	12	7/8	1/2	
3990	4293																				
4390	4714																				
3799	4108																				
4258	4610	-	-	1277	538	1005	107	36	67	1	500	5195	220	230/1/50	1,34	6	22	12	7/8	1/2	
4750	5135																				
5238	5650																				

Note: Subject to modification without prior notification.

R404A - LBP - RTG20

CONDENSING UNITS				COMPRESSORS		AMBIENT TEMP. (°C)	EN13125 - SUBCOOLING 0K - MIDPOINT						POWER INPUT (W)			
CONDENSING UNITS MODELS	CONDENSING UNIT BOM	VOLTAGE SUPPLY (V)	I NOM (A)	COMPRESSOR MODELS	COMPRESSOR BOM		COOLING CAPACITY (W)						-35°C	-30°C	-25°C	-20°C
UP-NT2180GK-EAE00	503HAS6C4FI	CP: 230V-1ph-50Hz Fan: 230V-1ph-50Hz	2,4	NT2180GK-A-CSR	923HA0404AF	25	632	803	1009	1245	1504	1780	567	622	683	753
						32	554	712	898	1107	1334	1572	569	638	711	791
						38	488	634	801	987	1185	1392	575	653	734	820
						43	-	568	720	885	1060	1240	-	666	752	842
UP-NT2192GK-EAE00	503EAS6C4FI	CP: 230V-1ph-50Hz Fan: 230V-1ph-50Hz	2,7	NT2192GK-A-CSR	923EA0404AF	25	681	866	1078	1315	1574	1851	590	663	736	813
						32	594	762	953	1165	1396	1643	600	679	760	846
						38	523	675	847	1038	1244	1462	605	691	780	875
						43	-	604	760	931	1116	1311	-	700	796	901
UP-NT2212GK-EAE00	505DAS6C4FI	CP: 230V-1ph-50Hz Fan: 230V-1ph-50Hz	3,7	NT2212GK-A-CSR	925DA0204AF	25	903	1140	1423	1750	2112	2504	719	805	899	1004
						32	786	1005	1265	1562	1889	2239	731	827	933	1048
						38	694	896	1133	1402	1696	2010	741	848	964	1089
						43	-	807	1025	1268	1534	1815	-	867	991	1124
UP-NJX2219GS-EAE00	545ASS6C3FI	CP: 400V-3ph-50Hz Fan: 230V-1ph-50Hz	2,3	NJX2219GS-M	945AS2101AA	25	1335	1714	2165	2681	3252	3870	1047	1180	1322	1477
						32	1213	1553	1957	2417	2925	3472	1083	1227	1382	1549
						38	1092	1401	1766	2179	2635	3123	1109	1264	1431	1612
						43	-	1266	1599	1976	2388	2829	-	1291	1469	1662
UP-SE2006GK-EAE00	5S3ACS6C4FI	CP: 230V-1ph-50Hz Fan: 230V-1ph-50Hz	5,6	SE2006GK-C	303AC1204AA	25	1440	1779	2178	2633	3145	3710	1113	1185	1265	1352
						32	1321	1631	1993	2406	2868	3376	1235	1313	1399	1491
						38	1209	1491	1819	2192	2609	3068	1358	1441	1532	1631
						43	1113	1370	1667	2005	2383	2799	1487	1575	1670	1773
UP-SE2006GS-EAE00	5S3AOS6C3FI	CP: 400V-3ph-50Hz Fan: 230V-1ph-50Hz	2,4	SE2006GS-O	303A01201AA	25	1440	1780	2178	2634	3146	3711	1104	1176	1255	1341
						32	1321	1632	1994	2407	2869	3378	1225	1303	1387	1479
						38	1209	1491	1820	2193	2610	3070	1347	1430	1520	1617
						43	1114	1370	1668	2006	2385	2801	1475	1561	1656	1758
UP-SE2008GK-EAE00	5S3BCS6C4FI	CP: 230V-1ph-50Hz Fan: 230V-1ph-50Hz	7,2	SE2008GK-C	303BC1204AA	25	1812	2233	2723	3280	3899	4575	1422	1521	1631	1751
						32	1656	2038	2481	2982	3536	4140	1581	1689	1807	1935
						38	1511	1857	2255	2705	3202	3742	1748	1862	1988	2125
						43	1389	1701	2060	2464	2911	3396	1925	2046	2179	2323
UP-SE2008GS-EAE00	5S3BOS6C3FI	CP: 400V-3ph-50Hz Fan: 230V-1ph-50Hz	2,7	SE2008GS-O	303B01201AA	25	1813	2234	2725	3283	3902	4579	1394	1492	1599	1717
						32	1657	2040	2484	2985	3540	4146	1551	1656	1771	1897
						38	1512	1859	2258	2708	3206	3748	1713	1825	1949	2083
						43	1390	1703	2063	2468	2916	3403	1886	2005	2134	2276
UP-SE2010GK-EAE00	5S3CCS6C4FI	CP: 230V-1ph-50Hz Fan: 230V-1ph-50Hz	8,4	SE2010GK-C	303CC1204AA	25	2103	2586	3145	3775	4470	5222	1665	1787	1922	2070
						32	1916	2353	2855	3418	4037	4705	1855	1987	2133	2292
						38	1744	2137	2587	3090	3641	4235	2058	2200	2356	2527
						43	1601	1954	2356	2806	3298	3827	2277	2427	2593	2774
UP-SE2010GS-EAE00	5S3COS6C3FI	CP: 400V-3ph-50Hz Fan: 230V-1ph-50Hz	4,3	SE2010GS-O	303C01201AA	25	2105	2588	3148	3779	4475	5229	1628	1747	1879	2023
						32	1918	2356	2859	3423	4044	4714	1813	1942	2084	2239
						38	1747	2141	2591	3096	3649	4245	2010	2149	2301	2467
						43	1604	1958	2362	2813	3307	3838	2223	2369	2531	2707
UP-SE2012GS-EAE00	5S3GOS6C3FI	CP: 400V-3ph-50Hz Fan: 230V-1ph-50Hz	5,4	SE2012GS-O	303G01201AA	25	2802	3462	4238	5125	6121	7221	2101	2238	2389	2553
						32	2571	3175	3880	4684	5583	6574	2332	2480	2642	2817
						38	2353	2902	3542	4269	5081	5975	2564	2723	2895	3081
						43	2167	2667	3247	3906	4642	5452	2808	2974	3154	3350
UP-SE2014GS-EAE00	5S3DOS6C3FI	CP: 400V-3ph-50Hz Fan: 230V-1ph-50Hz	5,2	SE2014GS-O	303D01201AA	25	3248	4008	4897	5910	7041	8283	2241	2393	2559	2741
						32	2977	3670	4476	5390	6409	7524	2488	2651	2830	3024
						38	2721	3351	4080	4906	5823	6827	2740	2914	3104	3311
						43	2506	3077	3737	4484	5314	6221	3005	3188	3388	3605
UP-SE2017GS-EAE00	5S3EOS6C3FI	CP: 400V-3ph-50Hz Fan: 230V-1ph-50Hz	6,3	SE2017GS-O	303E01201AA	25	3815	4698	5725	6888	8178	9583	2576	2759	2960	3181
						32	3488	4290	5217	6263	7419	8675	2864	3060	3276	3512
						38	3184	3910	4745	5685	6722	7846	3162	3372	3603	3854
						43	2928	3585	4338	5184	6117	7129	3480	3702	3945	4210
UP-SE2020GS-EAE00	5S3FOS6C3FI	CP: 400V-3ph-50Hz Fan: 230V-1ph-50Hz	6,9	SE2020GS-O	303F01201AA	25	4416	5425	6591	7903	9346	10904	3006	3229	3476	3748
						32	4025	4938	5987	7160	8446	9830	3347	3587	3853	4145
						38	3667	4490	5430	6478	7625	8857	3709	3967	4252	4564
						43	3370	4109	4952	5891	6916	8016	4098	4372	4674	5004

GENERAL DATA & PERFORMANCE

		ECO DESIGN		DIMENSIONS (mm)			WEIGHT	ACOUSTICS dB (A)		CONDENSER/FAN						LIQUID RECEIVER	CONNECTION DIAMETERS			
-15°C	-10°C	Type	Cop/Seer	W (width)	D (depth)	H (height)	Net (kg)	Sound Press. @10m	Sound power level	Number of fan	Fan diameter (mm)	Airflow (m³/h)	Fan power (W)	Voltage supply (V)	Internal volume (dm³)	dm³	Suction (mm)	Liquid (mm)	Suction (")	Liquid (")
835	930	COP	0,97	982	484	600	69	29	60	1	350	1695	67	230/1/50	0,23	1,6	12	6	1/2	1/4
881	980																			
914	1015																			
937	1039	COP	0,99	982	484	600	69	29	60	1	350	1695	67	230/1/50	0,23	1,6	12	8	1/2	3/8
899	999																			
942	1054																			
982	1106	COP	1,08	982	484	600	69	29	60	1	350	1523	67	230/1/50	0,45	2,3	16	8	1/2	3/8
1018	1152																			
1119	1245																			
1174	1310	COP	1,12	1082	490	708	88	34	65	1	400	2673	120	230/1/50	0,71	3,9	16	8	1/2	3/8
1224	1369																			
1267	1420																			
1644	1825	COP	1,07	1082	490	708	92	33	64	1	400	2673	120	230/1/50	0,71	3,9	18	10	3/4	3/8
1731	1928																			
1807	2019																			
1870	2095	COP	1,07	1082	490	708	92	33	64	1	400	2673	120	230/1/50	0,71	3,9	18	10	3/4	3/8
1445	1546																			
1591	1698																			
1736	1850	COP	1,08	1082	490	708	92	33	64	1	400	2673	120	230/1/50	0,71	3,9	18	10	3/4	3/8
1884	2003																			
1434	1533																			
1578	1684	COP	1,03	1082	490	708	92	33	64	1	400	2673	120	230/1/50	0,71	3,9	18	10	3/4	3/8
1722	1834																			
1868	1986																			
1881	2022	COP	1,05	1082	490	708	92	33	64	1	400	2673	120	230/1/50	0,71	3,9	18	10	3/4	3/8
2074	2225																			
2274	2434																			
2480	2649	COP	1,07	1082	490	708	92	33	64	1	400	2673	120	230/1/50	0,71	3,9	18	10	3/4	3/8
1844	1982																			
2033	2180																			
2228	2384	COP	1,03	1082	490	708	92	33	64	1	400	2673	120	230/1/50	0,71	3,9	18	10	3/4	3/8
2429	2594																			
2232	2408																			
2466	2654	COP	1,06	1082	490	708	92	33	64	1	400	2673	120	230/1/50	0,71	3,9	18	10	3/4	3/8
2713	2914																			
2971	3184																			
2181	2353	COP	1,06	1082	490	708	92	33	64	1	400	2673	120	230/1/50	0,71	3,9	18	10	3/4	3/8
2408	2592																			
2648	2844																			
2898	3106	SEPR	1,8	1277	538	1005	107	36	67	1	500	5195	220	230/1/50	1,34	6	22	12	7/8	1/2
2731	2921																			
3006	3209																			
3281	3496	SEPR	1,95	1277	538	1005	107	36	67	1	500	5195	220	230/1/50	1,34	6	22	12	7/8	1/2
3560	3784																			
2939	3152																			
3234	3461	SEPR	1,98	1277	538	1005	107	36	67	1	500	5195	220	230/1/50	1,34	6	22	12	7/8	1/2
3534	3773																			
3839	4091																			
3421	3682	SEPR	1,95	1277	538	1005	107	36	67	1	500	5195	220	230/1/50	1,34	6	22	12	7/8	1/2
3768	4045																			
4127	4422																			
4497	4807	SEPR	1,95	1277	538	1005	107	36	67	1	500	5195	220	230/1/50	1,34	6	22	12	7/8	1/2
4045	4369																			
4463	4809																			
4904	5274	SEPR	1,95	1277	538	1005	107	36	67	1	500	5195	220	230/1/50	1,34	6	22	12	7/8	1/2
5364	5754																			

Note: Subject to modification without prior notification.

R404A - LBP - SH10K

CONDENSING UNITS				COMPRESSORS		AMBIENT TEMP. (°C)	EN13125 - SUBCOOLING OK - MIDPOINT						POWER INPUT (W)			
CONDENSING UNITS MODELS	CONDENSING UNIT BOM	VOLTAGE SUPPLY (V)	I NOM (A)	COMPRESSOR MODELS	COMPRESSOR BOM		COOLING CAPACITY (W)									
							-35°C	-30°C	-25°C	-20°C	-15°C	-10°C	-35°C	-30°C	-25°C	-20°C
UP-NT2180GK-EAE00	503HAS6C4FI	CP: 230V-1ph-50Hz Fan: 230V-1ph-50Hz	2,4	NT2180GK-A-CSR	923HA0404AF	25	562	729	931	1165	1425	1705	569	619	676	742
						32	492	640	818	1021	1246	1487	562	627	698	777
						38	421	555	712	891	1087	1298	566	642	721	806
						43	-	482	623	782	957	1143	-	655	739	826
UP-NT2192GK-EAE00	503EAS6C4FI	CP: 230V-1ph-50Hz Fan: 230V-1ph-50Hz	2,7	NT2192GK-A-CSR	923EA0404AF	25	607	787	995	1230	1490	1771	585	655	726	801
						32	527	684	867	1073	1302	1550	592	669	747	831
						38	451	590	752	935	1139	1360	597	680	766	859
						43	-	512	657	822	1005	1205	-	688	781	882
UP-NT2212GK-EAE00	505DAS6C4FI	CP: 230V-1ph-50Hz Fan: 230V-1ph-50Hz	3,7	NT2212GK-A-CSR	925DA0204AF	25	801	1032	1312	1637	2002	2402	715	797	889	990
						32	699	906	1155	1444	1767	2123	722	815	918	1031
						38	601	787	1010	1269	1559	1876	730	834	947	1069
						43	-	688	890	1123	1385	1672	-	851	972	1102
UP-NJX2219GS-EAE00	545ASS6C3FI	CP: 400V-3ph-50Hz Fan: 230V-1ph-50Hz	2,3	NJX2219GS-M	945AS2101AA	25	1214	1575	2010	2516	3086	3714	1036	1166	1306	1457
						32	1074	1395	1782	2231	2737	3294	1070	1210	1361	1525
						38	942	1229	1575	1976	2428	2926	1093	1244	1407	1583
						43	825	1084	1397	1759	2167	2615	1107	1268	1442	1630
UP-SE2006GK-EAE00	5S3AC56C4FI	CP: 230V-1ph-50Hz Fan: 230V-1ph-50Hz	5,6	SE2006GK-C	303AC1204AA	25	1300	1627	2017	2469	2984	3561	1123	1188	1260	1340
						32	1169	1464	1815	2221	2684	3203	1212	1287	1369	1459
						38	1040	1305	1620	1986	2403	2872	1328	1409	1497	1594
						43	928	1166	1450	1781	2159	2585	1455	1538	1630	1731
UP-SE2006GS-EAE00	5S3A0S6C3FI	CP: 400V-3ph-50Hz Fan: 230V-1ph-50Hz	2,4	SE2006GS-O	303A01201AA	25	1300	1628	2017	2470	2985	3562	1114	1179	1250	1329
						32	1169	1465	1815	2222	2685	3204	1203	1276	1358	1447
						38	1040	1306	1621	1987	2404	2873	1318	1397	1485	1581
						43	928	1167	1451	1782	2160	2586	1443	1525	1617	1717
UP-SE2008GK-EAE00	5S3BC56C4FI	CP: 230V-1ph-50Hz Fan: 230V-1ph-50Hz	7,2	SE2008GK-C	303BC1204AA	25	1633	2038	2516	3067	3689	4379	1422	1511	1611	1722
						32	1460	1823	2250	2742	3297	3914	1547	1649	1762	1888
						38	1293	1617	1999	2439	2936	3489	1706	1816	1938	2072
						43	1149	1439	1781	2176	2624	3124	1877	1991	2118	2258
UP-SE2008GS-EAE00	5S3B0S6C3FI	CP: 400V-3ph-50Hz Fan: 230V-1ph-50Hz	2,7	SE2008GS-O	303B01201AA	25	1634	2040	2518	3070	3693	4384	1395	1482	1580	1689
						32	1462	1825	2253	2746	3302	3919	1517	1617	1728	1851
						38	1295	1620	2002	2443	2941	3495	1672	1780	1899	2031
						43	1151	1442	1785	2181	2630	3131	1839	1951	2075	2212
UP-SE2010GK-EAE00	5S3CC56C4FI	CP: 230V-1ph-50Hz Fan: 230V-1ph-50Hz	8,4	SE2010GK-C	303CC1204AA	25	1892	2356	2900	3523	4220	4987	1655	1764	1888	2027
						32	1685	2098	2582	3134	3754	4436	1811	1936	2076	2232
						38	1486	1854	2284	2776	3328	3936	2005	2140	2290	2457
						43	1318	1645	2028	2468	2962	3510	2214	2354	2510	2683
UP-SE2010GS-EAE00	5S3C0S6C3FI	CP: 400V-3ph-50Hz Fan: 230V-1ph-50Hz	4,3	SE2010GS-O	303C01201AA	25	1894	2358	2903	3527	4226	4995	1618	1725	1846	1981
						32	1687	2101	2586	3140	3761	4444	1770	1892	2028	2180
						38	1489	1858	2289	2782	3336	3947	1959	2090	2237	2399
						43	1321	1649	2034	2475	2971	3521	2162	2298	2451	2619
UP-SE2012GS-EAE00	5S3G0S6C3FI	CP: 400V-3ph-50Hz Fan: 230V-1ph-50Hz	5,4	SE2012GS-O	303G01201AA	25	2529	3167	3925	4805	5808	6931	2120	2244	2380	2532
						32	2276	2851	3533	4324	5225	6236	2289	2430	2586	2757
						38	2025	2542	3155	3867	4680	5593	2509	2660	2828	3012
						43	1807	2272	2825	3469	4206	5036	2747	2905	3080	3271
UP-SE2014GS-EAE00	5S3D0S6C3FI	CP: 400V-3ph-50Hz Fan: 230V-1ph-50Hz	5,2	SE2014GS-O	303D01201AA	25	2931	3663	4532	5535	6673	7941	2252	2388	2539	2707
						32	2631	3290	4069	4969	5989	7127	2439	2593	2765	2955
						38	2338	2930	3629	4437	5355	6381	2677	2844	3029	3232
						43	2085	2616	3246	3975	4806	5737	2935	3109	3301	3513
UP-SE2017GS-EAE00	5S3E0S6C3FI	CP: 400V-3ph-50Hz Fan: 230V-1ph-50Hz	6,3	SE2017GS-O	303E01201AA	25	3438	4288	5290	6441	7737	9170	2574	2737	2920	3125
						32	3076	3837	4732	5760	6917	8198	2800	2986	3194	3425
						38	2726	3407	4207	5127	6164	7315	3085	3286	3509	3756
						43	2426	3036	3753	4581	5516	6557	3391	3600	3832	4088
UP-SE2020GS-EAE00	5S3F0S6C3FI	CP: 400V-3ph-50Hz Fan: 230V-1ph-50Hz	6,9	SE2020GS-O	303F01201AA	25	3973	4943	6079	7375	8822	10410	2985	3185	3411	3666
						32	3540	4405	5414	6566	7852	9265	3265	3492	3748	4033
						38	3128	3897	4796	5822	6970	8234	3611	3856	4131	4435
						43	2777	3463	4266	5184	6216	7354	3981	4237	4521	4836

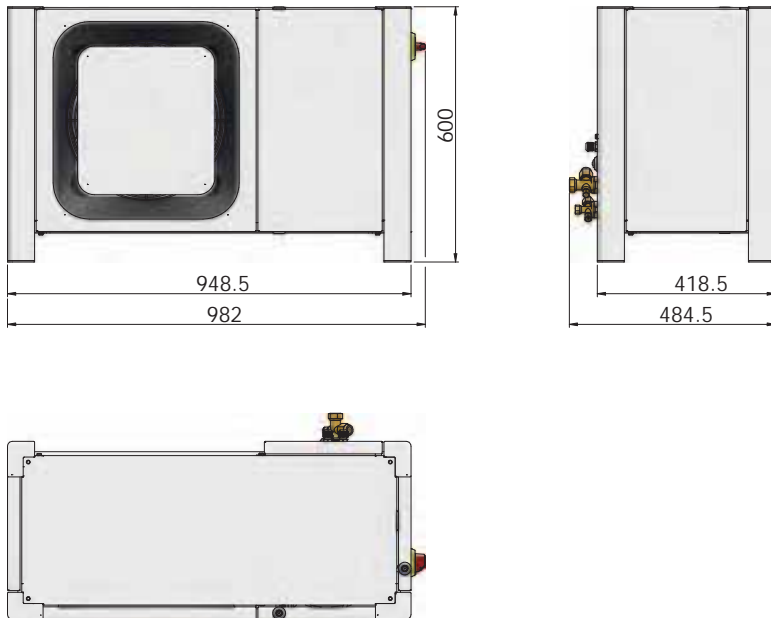
GENERAL DATA & PERFORMANCE

		ECO DESIGN		DIMENSIONS (mm)			WEIGHT	ACOUSTICS dB (A)		CONDENSER/FAN						LIQUID RECEIVER	CONNECTION DIAMETERS			
-15°C	-10°C	Type	Cop/Seer	W (width)	D (depth)	H (height)	Net (kg)	Sound Press. @10m	Sound power level	Number of fan	Fan diameter (mm)	Airflow (m³/h)	Fan power (W)	Voltage supply (V)	Internal volume (dm³)	dm³	Suction (mm)	Liquid (mm)	Suction (")	Liquid (")
821	915	-	-	982	484	600	69	29	60	1	350	1695	67	230/1/50	0,23	1,6	12	6	1/2	1/4
865	965																			
898	1000																			
920	1021																			
886	984	-	-	982	484	600	69	29	60	1	350	1695	67	230/1/50	0,23	1,6	12	8	1/2	3/8
926	1036																			
963	1084																			
995	1127																			
1104	1229	-	-	982	484	600	69	29	60	1	350	1523	67	230/1/50	0,45	2,3	16	8	1/2	3/8
1155	1290																			
1202	1346																			
1242	1393																			
1623	1803	-	-	1082	490	708	88	34	65	1	400	2673	120	230/1/50	0,71	3,9	16	8	1/2	3/8
1704	1900																			
1776	1985																			
1834	2057																			
1429	1526	-	-	1082	490	708	92	33	64	1	400	2673	120	230/1/50	0,71	3,9	18	10	3/4	3/8
1558	1667																			
1700	1816																			
1842	1961																			
1417	1514	-	-	1082	490	708	92	33	64	1	400	2673	120	230/1/50	0,71	3,9	18	10	3/4	3/8
1546	1653																			
1686	1800																			
1826	1945																			
1847	1986	-	-	1082	490	708	92	33	64	1	400	2673	120	230/1/50	0,71	3,9	18	10	3/4	3/8
2027	2179																			
2220	2382																			
2411	2578																			
1811	1947	-	-	1082	490	708	92	33	64	1	400	2673	120	230/1/50	0,71	3,9	18	10	3/4	3/8
1986	2136																			
2175	2334																			
2362	2525																			
2183	2358	-	-	1082	490	708	92	33	64	1	400	2673	120	230/1/50	0,71	3,9	18	10	3/4	3/8
2405	2596																			
2641	2842																			
2873	3080																			
2134	2304	-	-	1082	490	708	92	33	64	1	400	2673	120	230/1/50	0,71	3,9	18	10	3/4	3/8
2349	2535																			
2578	2775																			
2804	3006																			
2699	2884	-	-	1277	538	1005	107	36	67	1	500	5195	220	230/1/50	1,34	6	22	12	7/8	1/2
2944	3150																			
3213	3431																			
3479	3706																			
2894	3102	-	-	1277	538	1005	107	36	67	1	500	5195	220	230/1/50	1,34	6	22	12	7/8	1/2
3164	3393																			
3455	3699																			
3744	3996																			
3355	3612	-	-	1277	538	1005	107	36	67	1	500	5195	220	230/1/50	1,34	6	22	12	7/8	1/2
3680	3961																			
4027	4325																			
4369	4676																			
3953	4275	-	-	1277	538	1005	107	36	67	1	500	5195	220	230/1/50	1,34	6	22	12	7/8	1/2
4350	4701																			
4771	5140																			
5183	5562																			

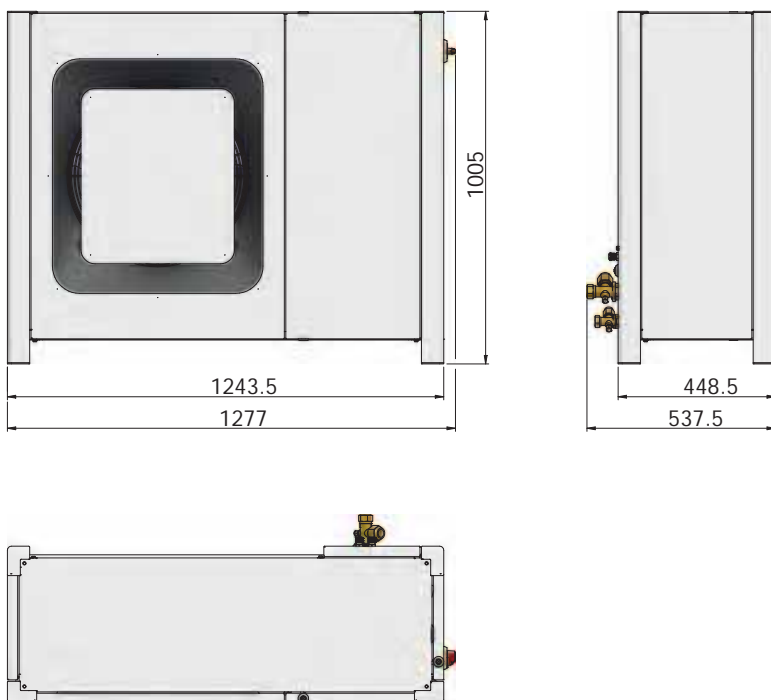
Note: Subject to modification without prior notification.

EXTERNAL VIEWS

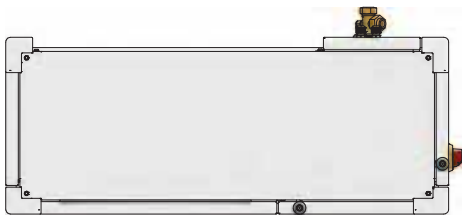
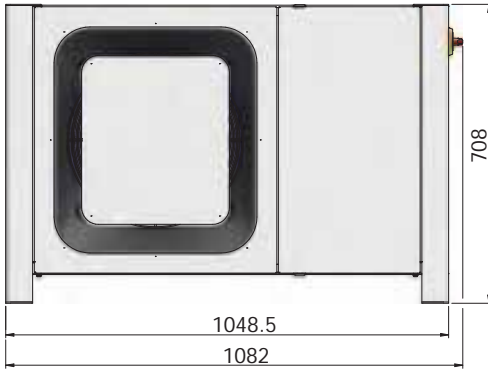
MODEL HOUSING 1



MODEL HOUSING 3



MODEL HOUSING 2

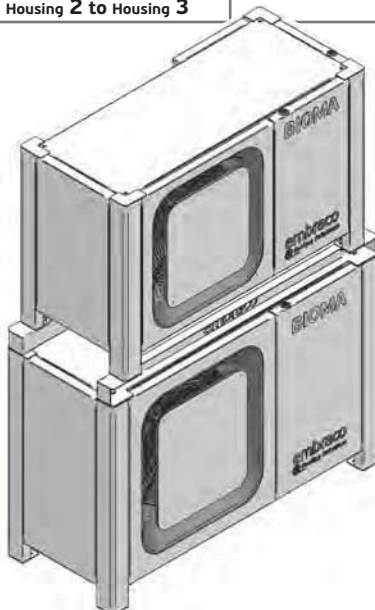


STACKABILITY OPTIONS

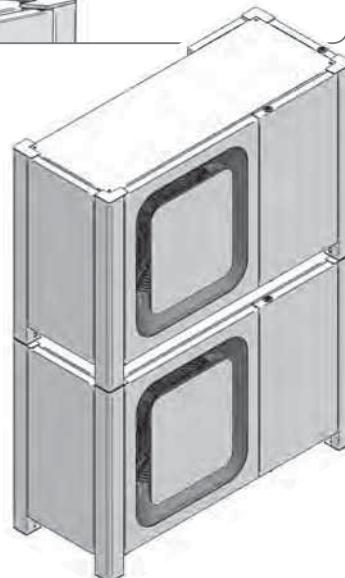
DIFFERENT HOUSING SIZES

Different housing sizes with complementary bracket

CONFIGURATIONS	ACCESSORY CODE
Housing 1 to Housing 2	1996761
Housing 1 to Housing 3	1996762
Housing 2 to Housing 3	

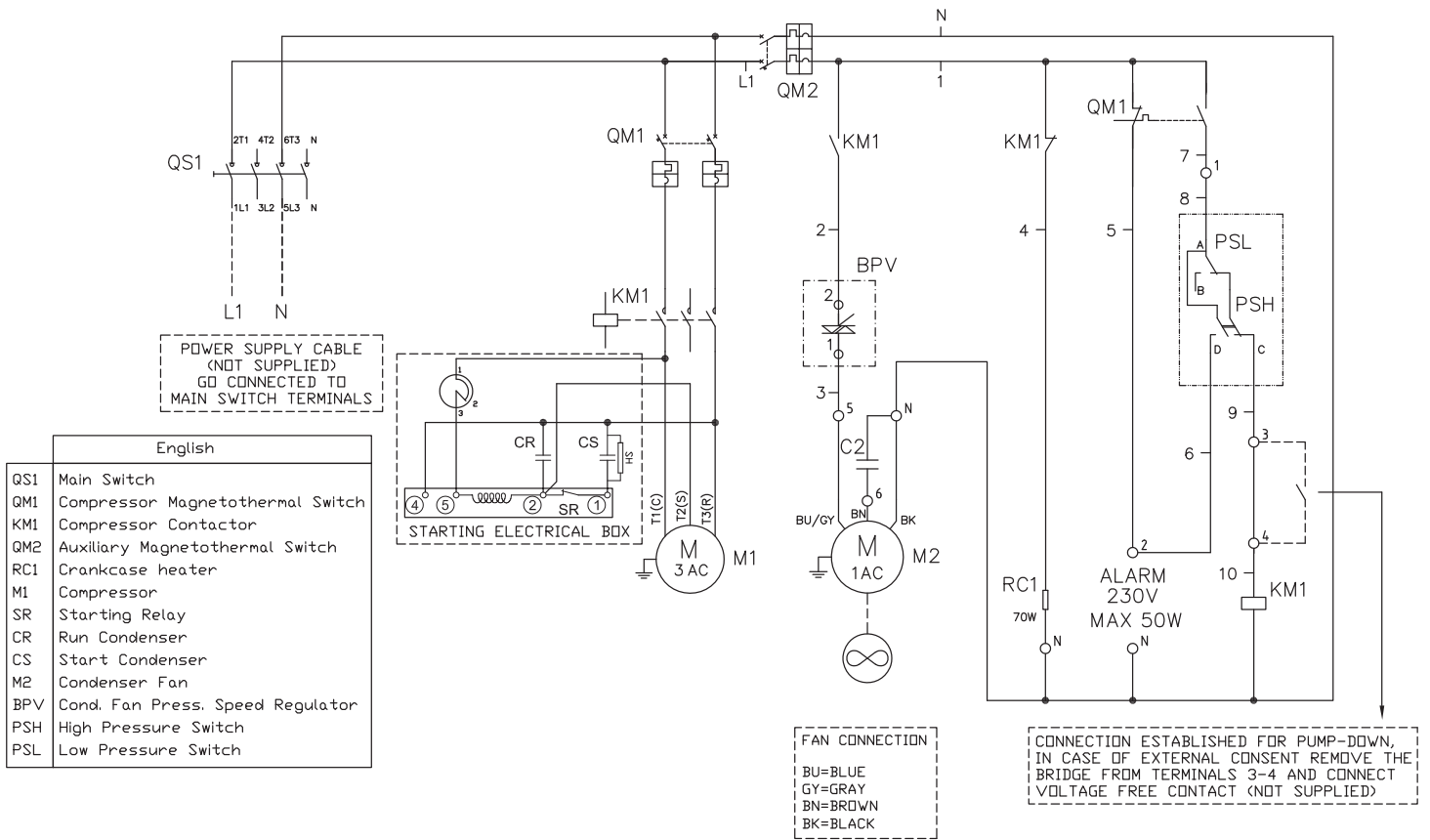


SAME HOUSING SIZES

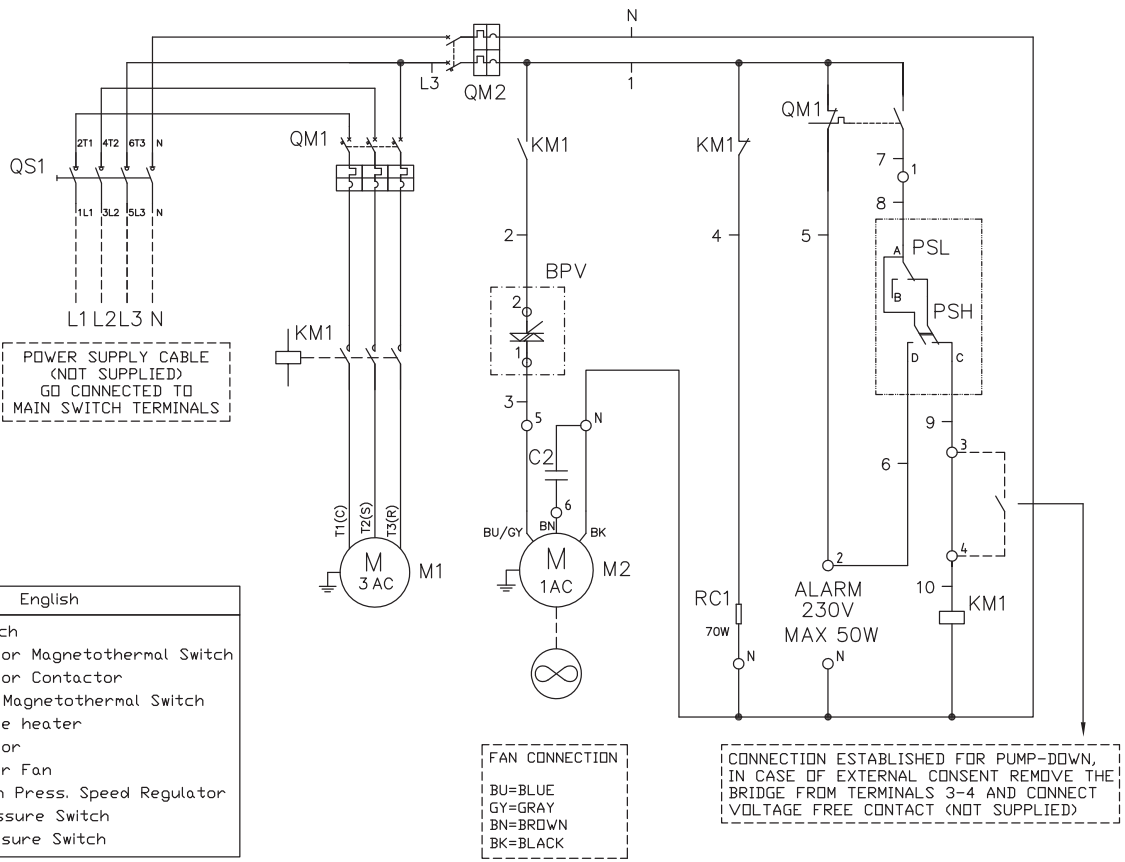


WIRING DIAGRAMS

Hermetic reciprocating compressors - 230v 1~ 50Hz

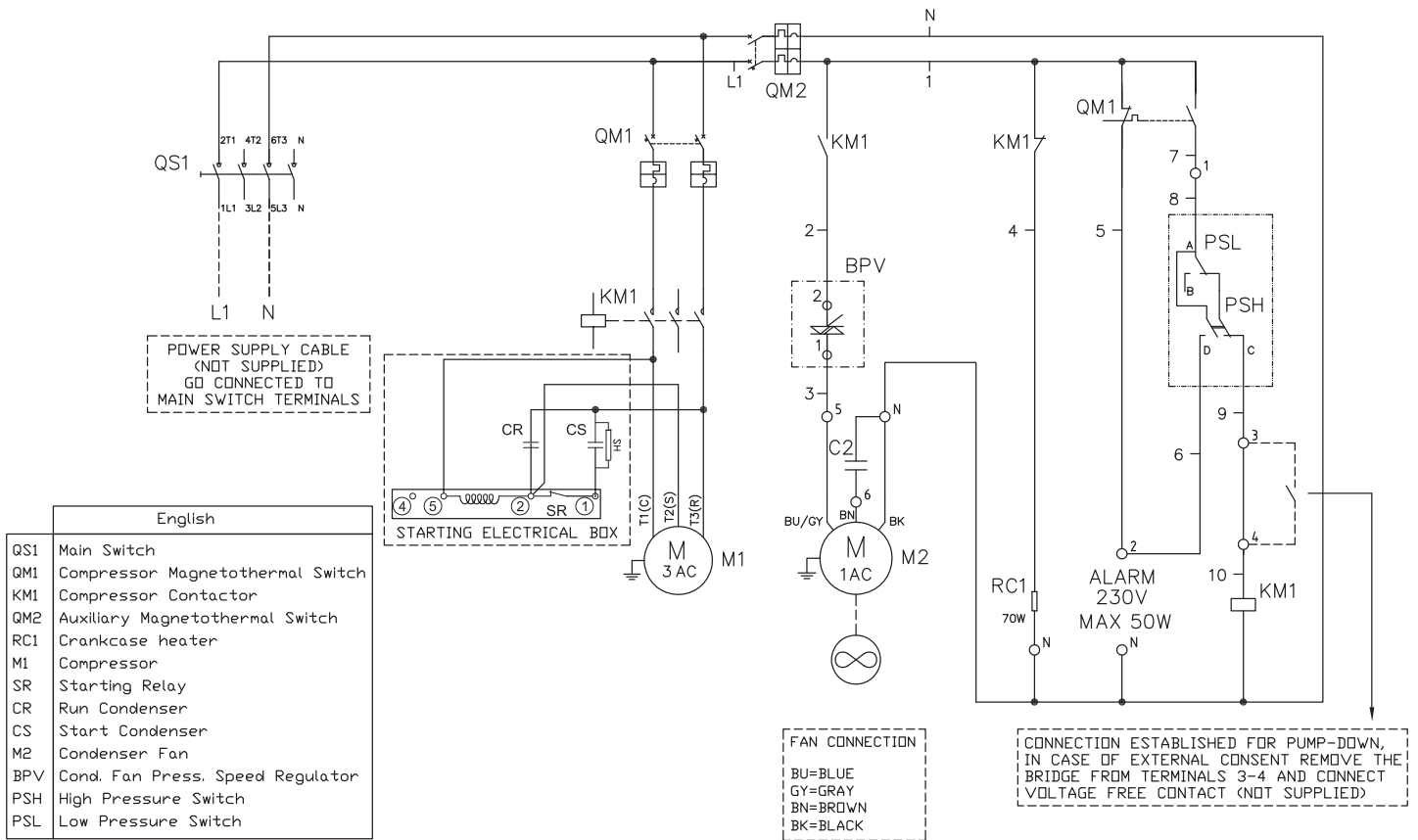


Hermetic reciprocating compressors - 400v 3~ 50Hz

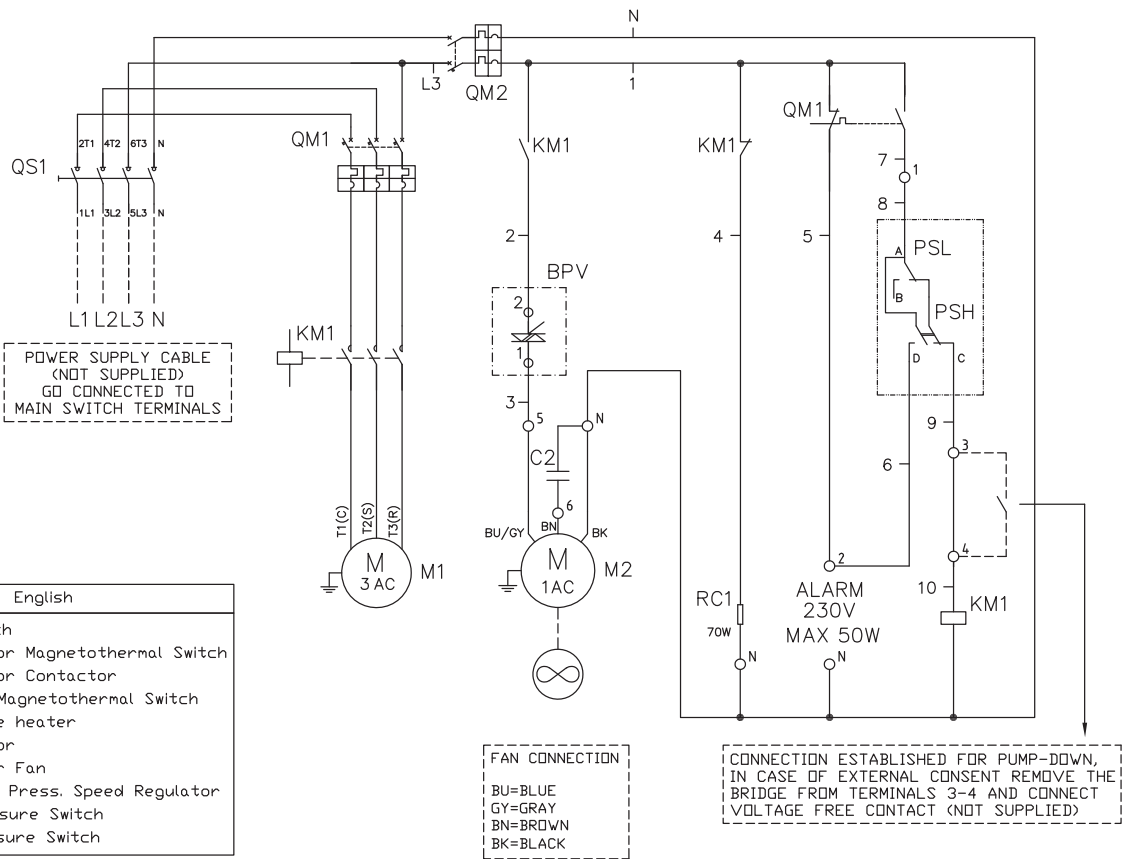


WIRING DIAGRAMS

Scroll compressors - 220v 1~ 50Hz



Scroll compressors - 400v 3~ 50Hz



English	
QS1	Main Switch
QM1	Compressor Magnetothermal Switch
KM1	Compressor Contactor
QM2	Auxiliary Magnetothermal Switch
RC1	Crankcase heater
M1	Compressor
M2	Condenser Fan
BPV	Cond. Fan Press. Speed Regulator
PSH	High Pressure Switch
PSL	Low Pressure Switch



FIND DIGITAL CATALOGUE, CROSS REFERENCE,
SELECTION SOFTWARE, TECHNICAL RESOURCES
AND MUCH MORE IN OUR:

NEW PRODUCT SELECTOR



<http://products.embraco.com>

DIGITAL TOOLS

DOWNLOAD THE APP



... AVAILABLE IN 14 LANGUAGES!

- CROSS-REFERENCE
- PRODUCT CATALOGUE
- DISTRIBUTOR LOCATOR
- UNIT CONVERTER
- REFRIGERANT SLIDER
- REFRIGERATION CLUB
- TROUBLESHOOTING



AND BECOME PART OF OUR
REFRIGERATION CLUB!





GLOBAL PRESENCE

embraco

PRODUCT SELECTOR



REFRIGERATION CLUB

