



embraco POWER IN.
CHANGE ON.

EUROPE COMMERCIAL PRODUCT LINE

R-134a | R-404A/R-507 | R-290 | R-600a

All images used are for illustrative purposes only.

EMBRACO IN PILLS

HIGH EFFICIENCY & GREEN SOLUTIONS
EMBRACO COMMERCIAL PRODUCT OVERVIEW

EUROPE RANGE COMMERCIAL COMPRESSORS

General Overview
EMT
NEK
NT/NTU
NJ

Applications & Test Conditions
Operating Envelope
Compressor cooling capacity measurement units
Cooling Capacity Range
Product Maps 50Hz/60Hz

COMPRESSOR SELECTION

How to order your compressor
Nomenclature
Families
Cooling Type
Voltage & Frequencies

Electrical motor starting torque
Electrical motor types
Electrical Components
Accessories & Options
Packaging
Identification label

GENERAL DATA AND PERFORMANCE

How to read our catalogue
R-134a
R-404A/R-507
R-290
R-600a

EXTERNAL VIEWS & WIRING DIAGRAMS

External Views
Wiring Diagrams

EMBRACO IN PILLS

-  **MORE THAN 11,500 EMPLOYEES**
-  **MORE THAN 400 PROFESSIONALS IN R&D**
-  **PRODUCTION CAPACITY OF OVER 38 MILLION COMPRESSORS PER YEAR**
-  **MORE THAN 400 MILLION PRODUCTS PRODUCED TO DATE**
-  **MORE THAN 1,000 PATENTS WORLDWIDE**
-  **BUSINESS CONDUCTED IN MORE THAN 80 COUNTRIES**
-  **R&D LABORATORIES IN 4 CONTINENTS**

EMBRACO is a company specialized in cooling solutions and world leader in the hermetic compressor market. **Our mission:** provide innovative solutions for a better quality of life, always attentive to technological excellence and sustainability.

Technological leadership, operational excellence and sustainability are some of the pillars which ensure the EMBRACO differential over other companies in the world market. Its products are now considered the favorite leading home appliance manufacturers by major automakers and are spotlighted by manufacturers of commercial refrigeration equipment.

With global operations and production capacity exceeding 34 million units a year, the company offers solutions that are differentiated for their innovation and low energy consumption. Its 11,500 employees work in factories and offices located in Brazil (headquarters), China, Italy, Slovakia, Mexico, the United States and Russia.

Energy efficiency is constantly sought in the processes, products and relationships with the communities where it operates. Our company is the absolute leader in this segment, being able to offer products that meet the most restrictive international standards regarding energy consumption.

As a worldwide leader, **EMBRACO** tries to anticipate market changes, and in doing so, our company is in a state of permanent transformation. We continuously assess our processes in order to maintain our leadership within the industry and promote growth, without forgetting the pillars of our organization.

HIGH EFFICIENCY

Energy efficiency is the base for all our product development. This means producing compressors that consume each time less energy and less raw material in manufacturing, at the same time maintaining **Embraco** brand quality. Thus, we continuously invest in research and development to create products that are more efficient and silent and do not harm the environment.

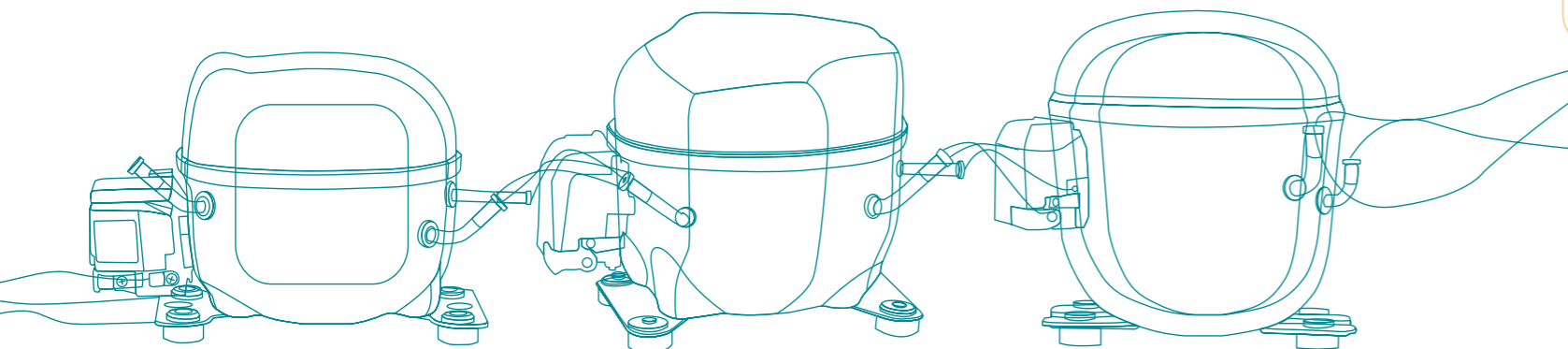
As a result of efforts to increase energy efficiency in our products, and to surpass our customers' highest expectations, we have developed **Embraco Fullmotion** – a compressor that varies the cooling capacity according to the need, providing a reduction in energy consumption up to 40%.

We have a full product portfolio that offers compressors of a wide ranges of efficiency. We are a global benchmark in developing solutions that meet the strictest international standards regarding energy consumption. With a commitment to seek continuous product and process improvement, each new generation of **Embraco** compressors is more efficient than the previous one.

GREEN SOLUTIONS

Embraco has always been committed to offer solutions to the market that go beyond the traditional ones. We have been at the forefront, for example, in launching products compatible with the most environmentally advanced refrigerant gases. We were the first organization to produce compressors that use alternative fluid refrigerants, such as propane (R290), to replace CFCs.

This natural refrigerant has important ecological advantages, since it does not contribute to ozone layer deterioration, nor to the greenhouse effect. Furthermore, its noise levels are low, while its efficiency rate gain and cooling capacity is quite high. To know our product portfolio in R290 contact our sales team.



Embraco Commercial Product Overview

EUROPE RANGE



BRAZIL RANGE



CONDENSING UNIT



VCC



EMT



Small Size



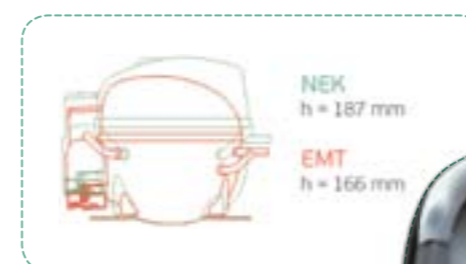
High Efficiency
Up to 1.36 w/w - LBP
Up to 2.82 w/w - M/HBP
50 Hz @rated point EN 12900



Global Platform



Low Noise ~2 dB(A) less
(if compared to the average noise of other models of the same range.)



EUROPE RANGE COMMERCIAL COMPRESSORS

Developed for: Refrigerators, Freezers and Bottle coolers.

Applications: **LBP, MBP/HBP**

Refrigerants: **R-134a; R-404A/R-507; R-600a; R-290**

FAMILY	REFRIGERANT	COOLING CAPACITY* W				EFFICIENCY** W/W				DISPLACEMENT cc		HP		WEIGHT	HEIGHT
		LBP		MBP/HBP		LBP		MBP/HBP		MIN	MAX	MIN	MAX	MIN/MAX Kg	MIN/MAX mm
		MIN	MAX	MIN	MAX	MIN	MAX	MIN	MAX	MIN	MAX	MIN	MAX		
EMT	R-134a	37	88	321	725	0.86	1.16	2.18	2.85	3.4	7.69	1/10	1/4	7.1 - 7.8	158 - 166
	R-404A	141	222	378	484	1.08	1.15	1.76	1.9	3.97	6.76				
	R-290	123	198	343	485	1.12	1.24	1.96	2.05	3.97	6.76				
	R-600a	45	118	244	588	0.98	1.36	2.2	2.82	3.97	12.21				

(*) (**) data @50 Hz EN12900 conditions

NEK



High Cooling Capacity at Low Evaporating Temperatures
NEW VALVE SYSTEM
to improve cooling capacity and efficiency.



High Efficiency Level
Up to 1.21 w/w - LBP
Up to 2,43 w/w - M/HBP
50 Hz @rated point EN 12900
NEW HEAD designed to decrease heat loss, low super heat mechanical losses, resulting in greater energy efficiency.



New Design
NEW INTERNAL DESIGN
New Vertical Tubes Configuration
New Universal base plate



High Efficiency
Up to 1.23 w/w - LBP
Up to 2,11 w/w - M/HBP
50 Hz @rated point EN 12900



Better Performances
NEW PLASTIC SUCTION MUFFLER
To optimize acoustic and fluidynamic



Very Low Sound Level
NEW SHELL DESIGN
To improve high frequency noise.



Better Performances



Low Sound and Vibration Level
NEW SUSPENSION SYSTEM
To improve high frequency noise.



Developed for: Freezers, Merchandisers, Ice makers

Applications: **LBP, MBP/HBP**

Refrigerants: **R-134a; R-404A/R-507; R-600a; R-290**

FAMILY	REFRIGERANT	COOLING CAPACITY* W				EFFICIENCY** W/W				DISPLACEMENT cc		HP		WEIGHT	HEIGHT
		LBP		MBP/HBP		LBP		MBP/HBP		min	MAX	min	MAX	MIN/MAX Kg	MIN/MAX mm
		min	MAX	min	MAX	min	MAX	min	MAX						
NEK	R-134a	93	217	663	1.377	0.85	1.16	1.96	2.46	7.28	16.8	1/4	3/4	10.4 - 11.6	187 - 206
	R-404A	125	462	395	1.166	0.8	1.06	1.46	1.64	4.51	16.8				
	R-290	109	427	402	1.558	0.85	1.21	1.73	1.94	4.52	16.8				
	R-600a			489	805			2.28	2.43	9.99	16.8				

(*) (**) data @50 Hz EN12900 conditions

NT/NTU



Developed for: Reach in coolers, Merchandisers, Ice Makers, Beers Coolers.

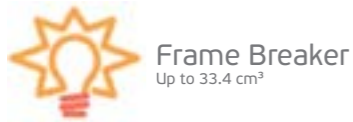
Applications: **LBP, MBP/HBP**

Refrigerants: **R-134a; R-404A/R-507; R-290.**

FAMILY	REFRIGERANT	COOLING CAPACITY* W				EFFICIENCY** W/W				DISPLACEMENT cc		HP		WEIGHT	HEIGHT
		LBP		MBP/HBP		LBP		MBP/HBP		min	MAX	min	MAX	MIN/MAX Kg	MIN/MAX mm
		min	MAX	min	MAX	min	MAX	min	MAX						
NT	R-134a			1246	2145			1.92	2.64	17.39	27.8	1/2	1 1/2	15.7 - 18.3	207 - 250
	R-404A	354	719	891	2426	0.89	1.07	1.5	2.02	12.55	27.8				
	R-290	400	689	952	1558	1.1	1.23	1.74	2.11	14.5	27.8				

(*) (**) data @50 Hz EN12900 conditions

NJ



Frame Breaker
Up to 33.4 cm³



High reliability and proved performances



Easy installation
Rotolock valve version



Low Sound and Vibration Level



Developed for: Walk-in Coolers, Merchandisers, Milk Coolers, Refrigerated Islands, GDM.

Applications: **LBP, MBP/HBP**

Refrigerants: **R-134a; R-404A/R-507**

FAMILY	REFRIGERANT	COOLING CAPACITY* W				EFFICIENCY** W/W				DISPLACEMENT cc		HP		WEIGHT	HEIGHT
		LBP		MBP/HBP		LBP		MBP/HBP		MIN	MAX	MIN	MAX	MIN/MAX Kg	MIN/MAX mm
		MIN	MAX	MIN	MAX	MIN	MAX	MIN	MAX						
NJ	R-134a	226	231	1975	2307	0.74	2.02	2.47	26.11	34.38	1	1 1/2	19.6 - 21.7	253 - 277	
	R-404A	585	809	1648	2506	0.85	1.06	1.59	1.9	21.71					34.37

(*) (**) data @50 Hz EN12900 conditions

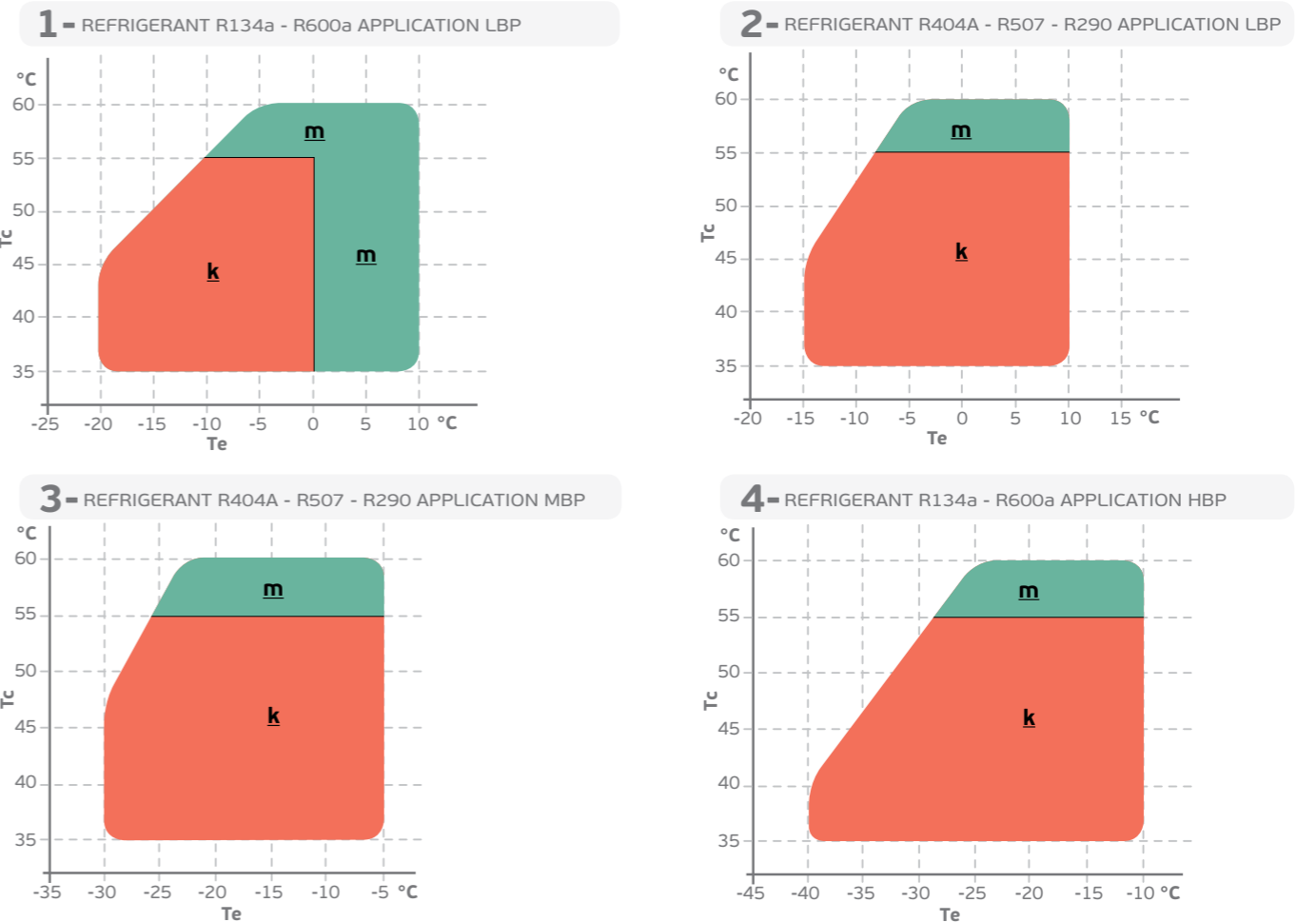
Applications & Test conditions

LBP	(Low Back Pressure) Low evaporating temperatures (lower than -20 °C) Applications: refrigerators, frozen food cabinets, frozen food display cases, display windows, etc.	MBP	(Medium Back Pressure) Medium evaporating temperatures (higher than -20 °C); Applications: fresh food cabinets, drink coolers, ice makers etc.
M/HBP	(Medium / High Back Pressure) Evaporating temperatures between -20°C and +10°C; Applications: coolers, merchandisers, etc	HBP	(High Back Pressure) High evaporating temperatures (higher than -15 °C) Applications: fresh food cabinets, ice makers, dehumidifiers, dryers, etc.

TEST CONDITIONS (RATING POINT)	APPLICATION	EVAPORATING TEMPERATURE C°	CONDENSING TEMPERATURE C°	GAS RETURN TEMPERATURE C°	SUBCOOLING	COMPRESSOR AMBIENT TEMPERATURE C°
EN 12900	LBP	-35°	40°	20° (*)	NO SUBCOOLING	32°
	MBP	-10°	45°	20° (*)		
	HBP	+5°	50°	20° (*)		
ARI 540	LBP	-23,3°	48,9°	4,4°	NO SUBCOOLING	35°
	MBP	-6,7°	48,9°	4,4°		
	HBP	+7,2°	54,4°	18,3°		
ASHRAE SUBCOOLED	LBP	-23,3°	54,4°	32,2°	22,2 K	32,2°
	M/HBP	7,2°	54,4°	35°	8,3 K	35°
CECOMAF	LBP	-25%	55°	32°	NO SUBCOOLING	32°

(*) for EMT, NE/NEK return gas temperature 32°C

Operating Envelope

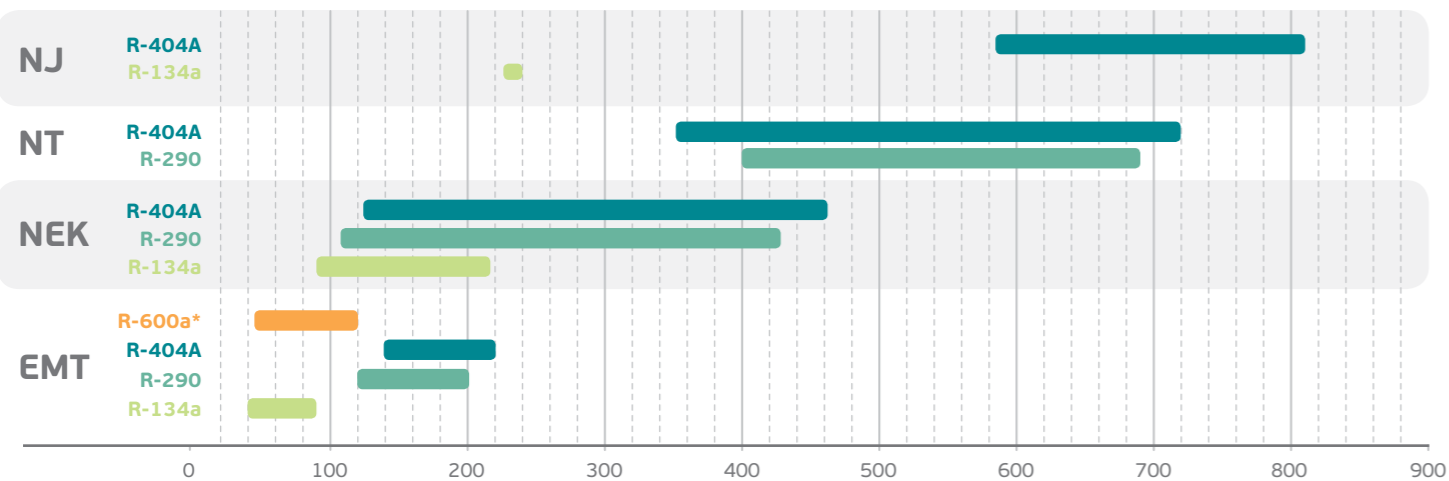


Tc - Condensing Temperature | k - Ambient 32°C and return gas 20°C
Te - Evaporating Temperature | m - Ambient 32°C and return gas 20°C (for transitory period)

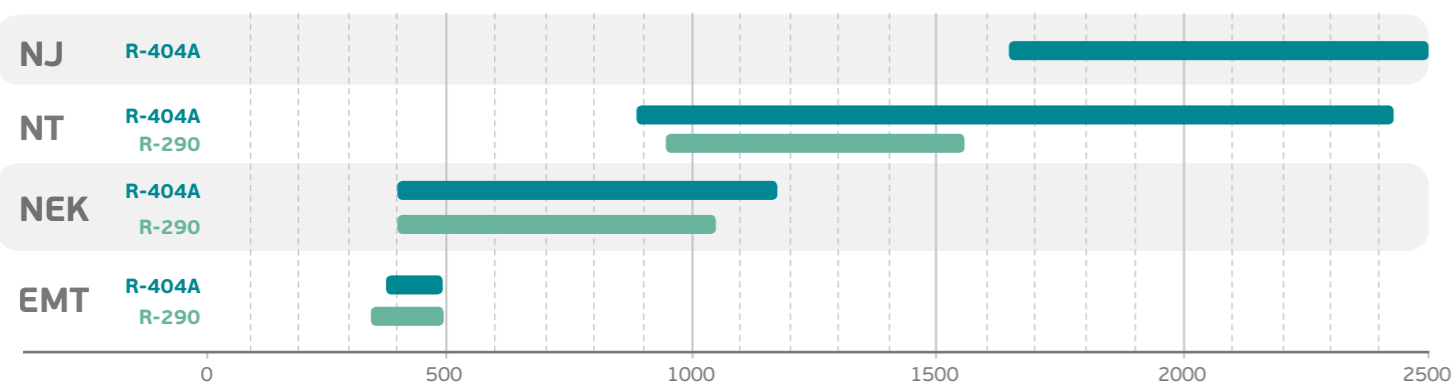
PLEASE NOTE: the use of the compressor outside the intended working range cannot make use of the warranty.

Cooling Capacity Range
50 HZ RANGE (EN 12900)

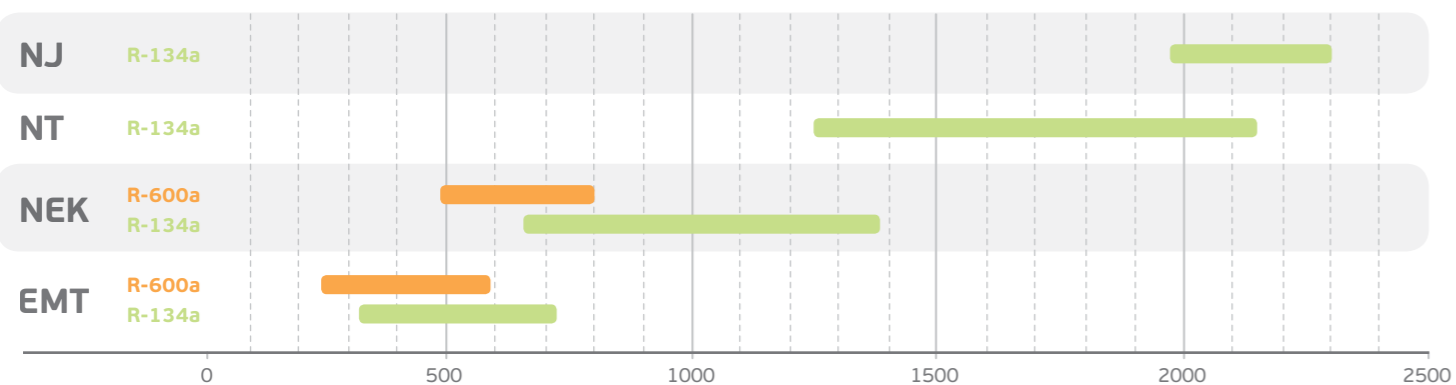
LBP - Cooling capacity [W]



MBP - Cooling capacity [W]

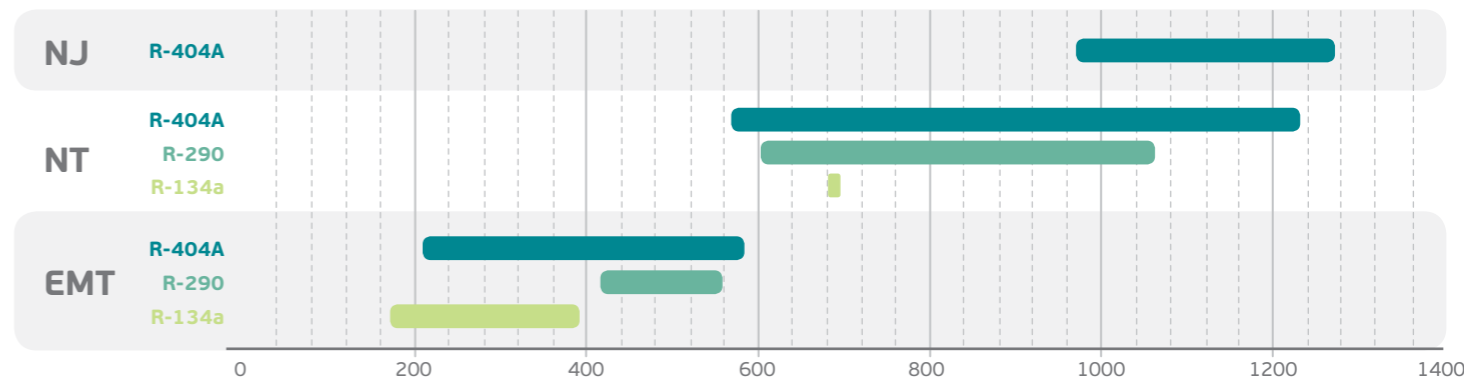


HBP - Cooling capacity [W]

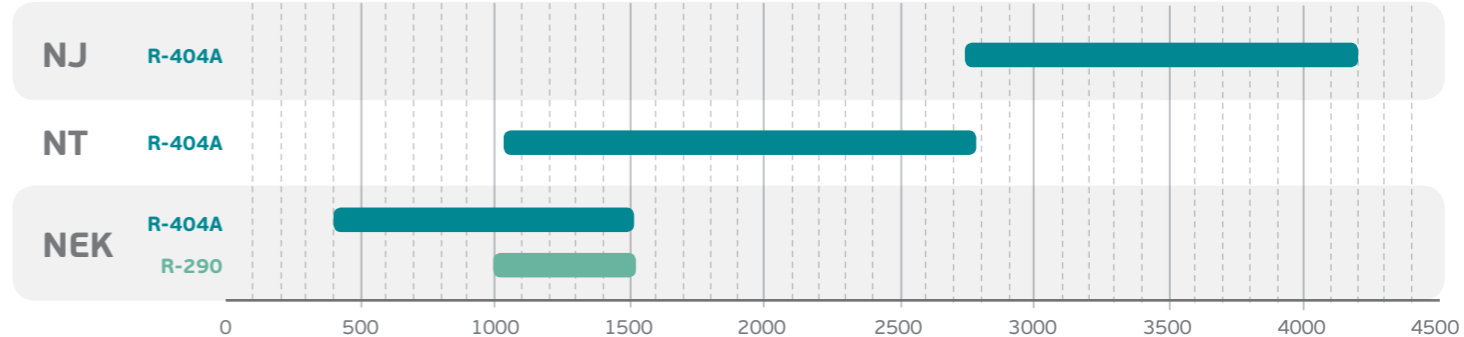


Cooling Capacity Range
60 HZ RANGE (ARI)

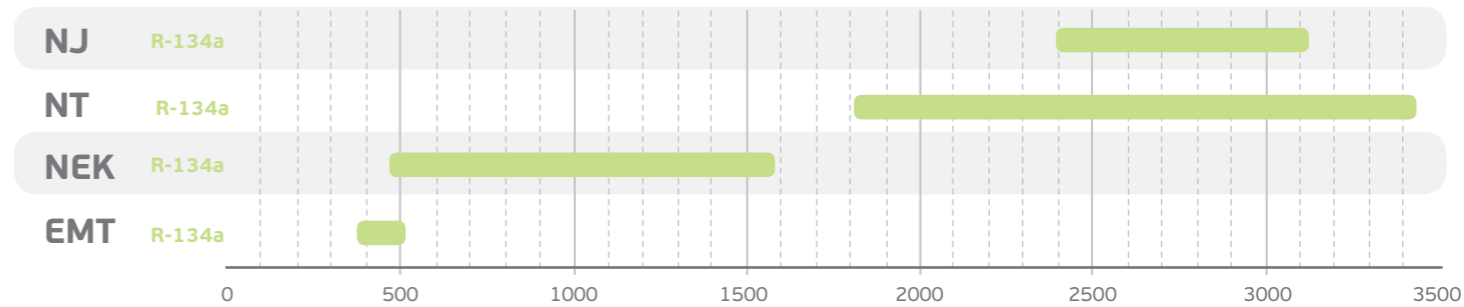
LBP - Cooling capacity [W]



MBP - Cooling capacity [W]



HBP - Cooling capacity [W]



Product Maps 50Hz
COMPRESSOR PRODUCT MAP 50 Hz/DUAL FREQUENCY/3Ø

50Hz 50-60Hz	R-134a								R-404A / R-507								R-290								R-600a							
	LBP	VOLT. FREQ.	COOL. CAP. [W]	DISPL. [cc]	HBP	VOLT. FREQ.	COOL. CAP. [W]	DISPL. [cc]	LBP	VOLT. FREQ.	COOL. CAP. [W]	DISPL. [cc]	MBP	VOLT. FREQ.	COOL. CAP. [W]	DISPL. [cc]	LBP	VOLT. FREQ.	COOL. CAP. [W]	DISPL. [cc]	M/HBP	VOLT. FREQ.	COOL. CAP. [W]	DISPL. [cc]	LBP	VOLT. FREQ.	COOL. CAP. [W]*	DISPL. [cc]	HBP	VOLT. FREQ.	COOL. CAP. [W]	DISPL. [cc]
EM	EMT22HLP	A	39	3.00	EMT37HDP	A / B	324	3.40	EMT2117GK	A	141	4.50	EMT6144GK	A	380	3.97	EMT1130U	A	198	6.76	EMT6144U	A	343	4.50	EMY20CLC*	A	47	3.97	EMT30CDP	A	232	4.50
	EMT36HLP	A	58	3.97	EMT45HDR	A	375	3.97	EMT2121GK	A	174	5.19	EMT6152GK	A	424	4.50	EMT1117U	A	123	4.5	EMT6152U	A	418	5.20	EMY26CLC*	A	62	5.19	EMU5125Y	A	244	4.50
	EMT43HLP	A	71	4.85	EMT50HDP	A / B	430	4.50	EMT2125GK	A	204	5.96	EMT6165GK	A	485	5.19	EMT1121U	A	159	5.57	EMT6165U	A	485	5.96	EMT26CLP*	A	62	5.20	EMT45CDP	A	346	6.76
	EMT49HLP	A	83	5.19	EMT6144Z	A	520	5.19	EMT2130GK	A	222	6.76					EMT1125U	A	177	5.96	EMT6181U	A	TBD		EMY32CLC*	A	73	5.96	EMU5132Y	A	358	6.76
	EMT60HLP	A	98	6.76	EMT6160Z	A	662	6.76									EMT2117U	A	123	4.5					EMT32CLP*	A	71	5.96	EMT6144Y	A	486	9.04
					EMT6170Z	A	730	7.69									EMT2121U	A	159	5.57					EMY40CLC*	A	91	7.23	EMT6160Y	A	588	11.14
					EMT6187Z	A	TBD										EMT2125U	A	177	5.96					EMT40CLP*	A	91	7.23				
																	EMT2130U	A	196	6.76					EMY46CLC*	A	102	7.96				
																	EMT2134U	A	TBD						EMT46CLP*	A	102	7.96				
																									EMY55CLP*	A	112	9.04				
																								EMT56CLP*	A	118	9.04					
																								EMX70CLC*	A	143	11.14					
																								EMX80CLC*	A	165	12.23					
NE NEK	NEK1116Z	A	97	7.37	NEK6160Z	A / N	633	7.28	NEK2117GK	A	125	4.51	NEK6144GK	A	550	4.51	NEK2117U	A	117	4.51	NEK6152U	A	403	5.45					NEK6144Y	A	541	9.99
	NEK2116Z	A	93	7.37	NEK6170Z	A / N	740	8.39	NEK2121GK	A	151	5.44	NEK6165GK	A	743	6.20	NEK1121U	A	176	6.20	NEK6165U	A	478	6.20					NEK6160Y	A	667	12.11
	NEK1118Z	A	111	8.39	NEK6187Z	A / N	855	9.99	NEK2125GK	A	182	6.20	NEK6181GK	A	841	7.28	NEK2121U	A	174	6.20	NEK6181U	A	531	7.28					NEK6170Y	A	721	14.30
	NE1121Z	A / N	127	9.26	NEK6210Z	A / N	1,096	12.11	NEK2130GK	A	213	7.37	NEK6210GK	A / N	1,005	8.77	NEK2125U	A	202	7.28	NEK6210U	A	654	8.77					NEK6187Y	A	837	16.80
	NEK1121Z	A	123	9.26	NEK6212Z	A / N	1,143	14.28	NEK2134GK	A / N	248	8.77	NEK6213GK	A	1,337	12.11	NEK2134U	A	271	9.99	NEK6213U	A	881	12.12								
	NE2121Z	A / N	126	9.26	NEK6214Z	A	1,314	16.80	NEK2150GK	A	329	12.11	NEK6217GK	A / N	1,164	14.28	NEK1150U	A	365	13.54	NEK6217U	A	1,019	14.28								
	NE1130Z	A / N	163	12.11					NEK2168GK	A	378	14.28					NEK2150U	A	354	13.54												
	NE2130Z	A / N	173	12.11					NEK2172GK	A	819	16.80					NEK2160U	A	467	16.80												
	NE2134Z	A	181	14.28																												
	NEK2140Z	A	217	16.80																												
NT NTU					NT6215Z	V / N	1,405	17.39	NT2168GK	N (CSIR)	330	14.50	NT6217GK	A / N (CSIR)	960	12.55	NT2160U	A (CSIR)	394	17.39	NT6217U	A (CSIR)	894	14.50								
					NT6217Z	A / N	1,619	20.44	NT2168GK	N (CSR)	354	14.50	NT6217GK	A / N (CSR)	891	12.55	NT2160U	A (CSR)	402	17.39	NT6220U	A (CSIR)	1,147	17.40								
					NT6220Z	N	1,744	22.37	NT2168G5	R	412	14.50	NT6220GK	N (CSIR)	1,080	14.50	NT2170U	A (CSIR)	478	20.44	NT6220U	A (CSR)	1,134	17.40								
					NTU6222ZV	A	2,117	23.70	NT2178GK	V / A (CSIR)	416	17.39	NT6220GK	N (CSR)	1,096	14.50	NT2170U	A (CSR)	480	20.44	NT6222U	A (CSIR)	1,317	20.44								
					NTU6224ZV	A	2,582	27.80	NT2178GK	V / A (CSR)	441	17.39	NT6222GK	A / X (CSIR)	1,338	17.39	NT2180U	A (CSIR)	545	22.37	NT6222U	A (CSR)	1,352	20.44								
									NT2180GK	A (CSIR)	488	20.44	NT6222GK	A / N (CSR)	1,307	17.39	NT2180U	A (CSR)	547	22.37	NT6224U	A	1,502	22.40								
									NT2180GK	V / A (CSR)	530	20.44	NT6224GK	A (CSR)	1,391	20.44	NT2210U	A (CSR)	656	27.80												
									NT2192GK	A (CSIR)	568	22.37	NT6226GK	A (CSIR)	1,725	22.37																
									NT2192GK	A (CSR)	565	22.37	NT6226GK	A (CSR)	1,752	22.37																
									NT2192G5	R	639	22.40	NTU6232GKV	A	1,757	20.44																
								NT2212GK	A (CSIR)	710	27.80	NTU6234GKV	A	2,091	23.70																	
								NT2212G5	R	823	27.80	NTU6238GKV	A	2,288	26.20																	
								NT2210GK	A	t.b.c.	26.20	NTU6240GKV	A	2,427	27.80																	
NJ	NJ2152Z	A	226	27.16	NJ6220Z	A	2,056	26.11	NJ2192GK	A	588	26.11	NJ9226GK	V	1,940	21.70																
					NJ6220Z	M	2,148	26.11	NJ2192G5	M	739	26.11	NJ9226G5	M	1,660	21.70																
					NJ6226Z	A	2,403	34.38	NJ2212GK	A	770	34.37	NJ9232GK	A	2,054	26.20																
					NJ6226Z	M	2,510	34.38	NJ2212G5	M	1,012	34.38	NJ9232G5	M	2,054	26.20																

* CECOMAF Rated Point ** ASHRAE RATED POINT

Cool. Cap. EN12900 / Rated Point

Volt./Freq. A 220-240V/50Hz 1 - N 200-240V/50Hz (230V/60Hz) 1 - V 230V/50Hz 1 - M 380-420V/50Hz 3 -

Product Maps 60Hz
COMPRESSOR PRODUCT MAP 60Hz

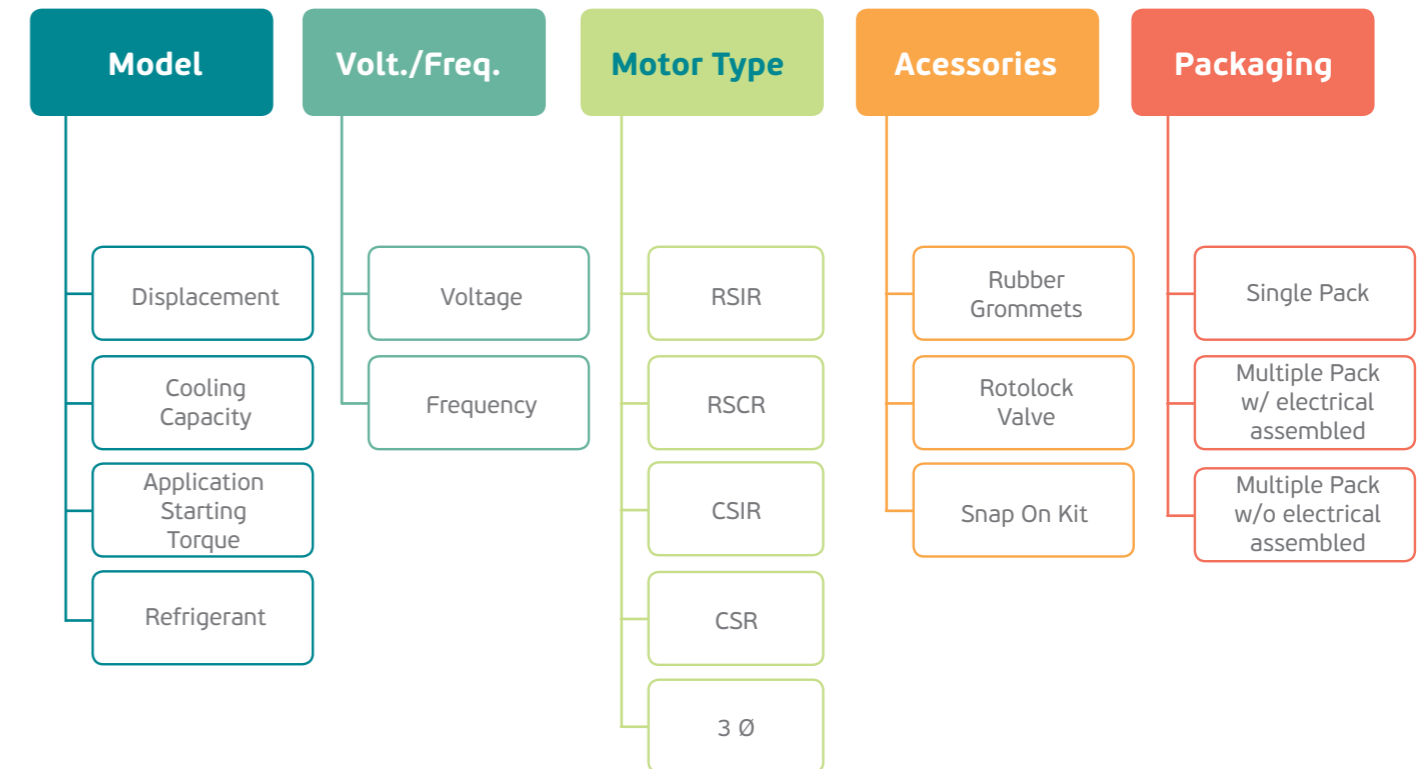
60Hz	R-134a								R-404A / R-507								R-290								
	LBP	VOLT. FREQ.	COOL. CAP. [W]	DISPL. [cc]	HBP	VOLT. FREQ.	COOL. CAP. [W]	DISPL. [cc]	LBP	VOLT. FREQ.	COOL. CAP. [W]	DISPL. [cc]	MBP	VOLT. FREQ.	COOL. CAP. [W]	DISPL. [cc]	LBP	VOLT. FREQ.	COOL. CAP. [W]	DISPL. [cc]	M/HBP	VOLT. FREQ.	COOL. CAP. [W]	DISPL. [cc]	
NE NEK	NEK2116Z	G	171	7.37	NEK6132Z	G	432	4.51	NEK21176K	G	169	4.51	NEK6144GK	G	400	4.51	NEK2134U	G	419	10.00	NEK6213U	G	998	12.11	
	NE2121Z	G	208	9.26	NEK6144Z	G	532	5.44	NEK21216K	G	211	5.44	NEK6152GK	G	481	5.44	NEK2150U	G	558	13.54					
	NE2130Z	G	274	12.11	NEK6160Z	G	744	7.28	NEK2125GK	G	287	6.20	NEK6165GK	G	557	6.20									
	NE2134Z	G / D	331	14.28	NEK6170Z	G	745	8.39	NEK2134GK	G / D	390	8.77	NEK6181GK	G / D	610	7.28									
	NEK2140Z	G	390	16.80	NEK6170Z	B	856	8.39	NEK2150GK	G	491	12.11	NEK6210GK	G / D	777	8.77									
					NEK6187Z	G	991	9.99	NEK2150GK	G / D	500	12.11	NEK6213GK	G / D	1,032	12.11									
					NEK6210Z	G / B	1,173	12.11	NEK2168GK	G / D	577	14.28													
					NEK6212Z	G / B	1,361	14.28																	
				NEK6214Z	G / B	1,525	16.80																		
NT	NT2152Z	G	603	26.21	NT6215Z	G / D	1,762	17.39	NT2168GK	G / D	580	14.50	NT6217GK	G / D	1,115	12.60	NT2160U	G / D	638	17.39	NT6217U	G	u.d.	u.d.	
					NT6217Z	G / D	1,982	20.44	NT2178GK	G / D	790	17.39	NT6220GK	G / D	1,283	14.50	NT2170U	D	672	20.44	NT6222U	G	1,522	20.44	
					NT6220Z	G / D	2,152	22.37	NT2180GK	G / D	879	20.44	NT6222GK	G / D	1,569	17.40	NT2180U	G		22.4	NT6224U	D	u.d.	u.d.	
					NTU6222ZV	G / D	2,627	23.74	NT2192GK	G / D	943	22.40	NT6224GK	G / D	1,859	20.40	NT2210U	G / D	1051	27.8					
					NTU6224ZV	G / D	3,059	27.80	NT2212GK	G / D	1230	27.80	NT6226GK	G / D	1,985	22.40									
													NTU6232GKV	G / D	2,101	20.44									
													NTU6234GKV	G / D	2,477	23.74									
													NTU6238GKV	D	2,748	26.21									
NJ					NJ6220Z	G / D	2,160	26.11	NJ2192GK	G / D	1,023	26.11	NJ9226GK	D	2,742	21.71									
					NJ6220Zx	M	2,159	26.11	NJ2192GS	M	1,023	26.11	NJ9226GS	M	2,811	21.71									
					NJ6226Z	D	2,364	34.38	NJ2212GK	G / D	1,236	34.37	NJ9232GK	D	3,479	26.11									
					NJ6226Zx	M	2,523	34.38	NJ2212GS	M	1,236	34.37	NJ9232GS	M	3,488	26.11									
													NJ9238GK	J	3,848	32.70									
												NJ9238GS	M	4,168	32.70										

Cool. Cap. ARI / Rated Point Volt./Freq.
 D 208-230V/60Hz 1- G 115V/60Hz 1- J 230V/60Hz 1- M 380-420V/50 Hz 3-

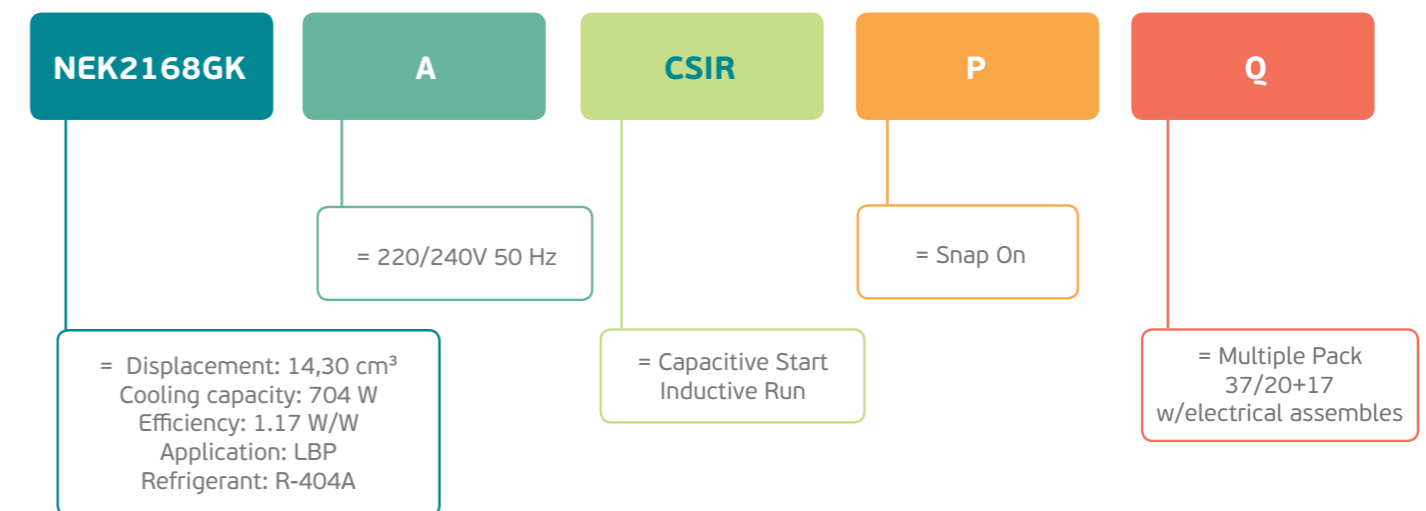
COMPRESSOR SELECTION

HOW TO ORDER YOUR COMPRESSOR

Ordering Code



Example:



NOTE: not all combination are possible

Model

Volt./Freq.

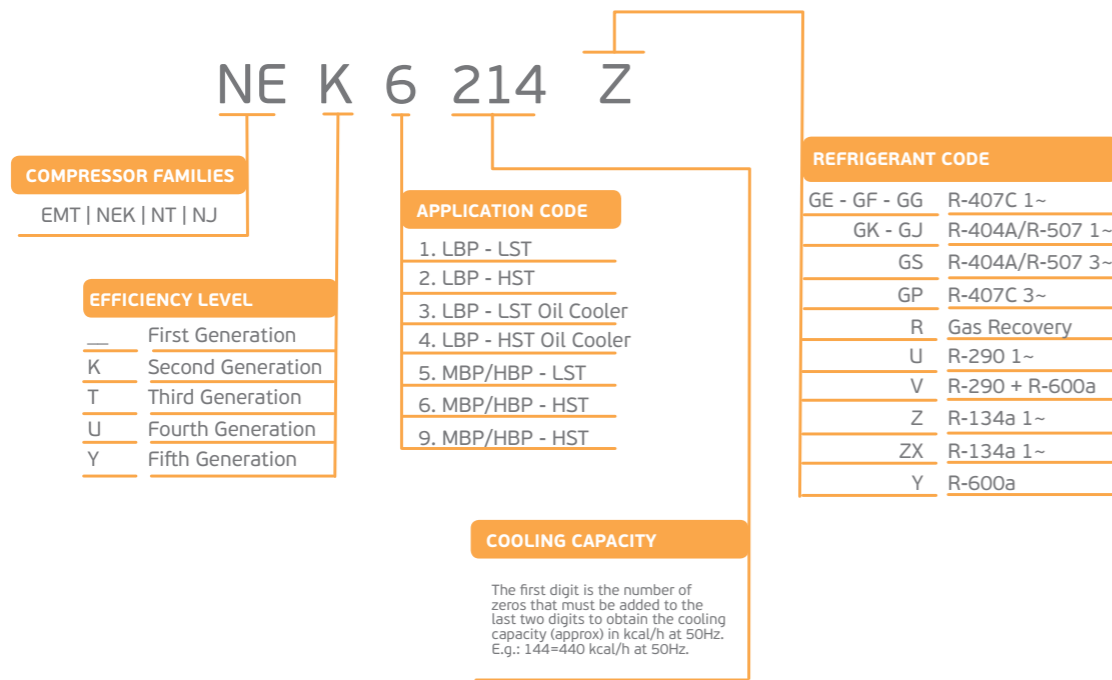
Motor Type

Acessories

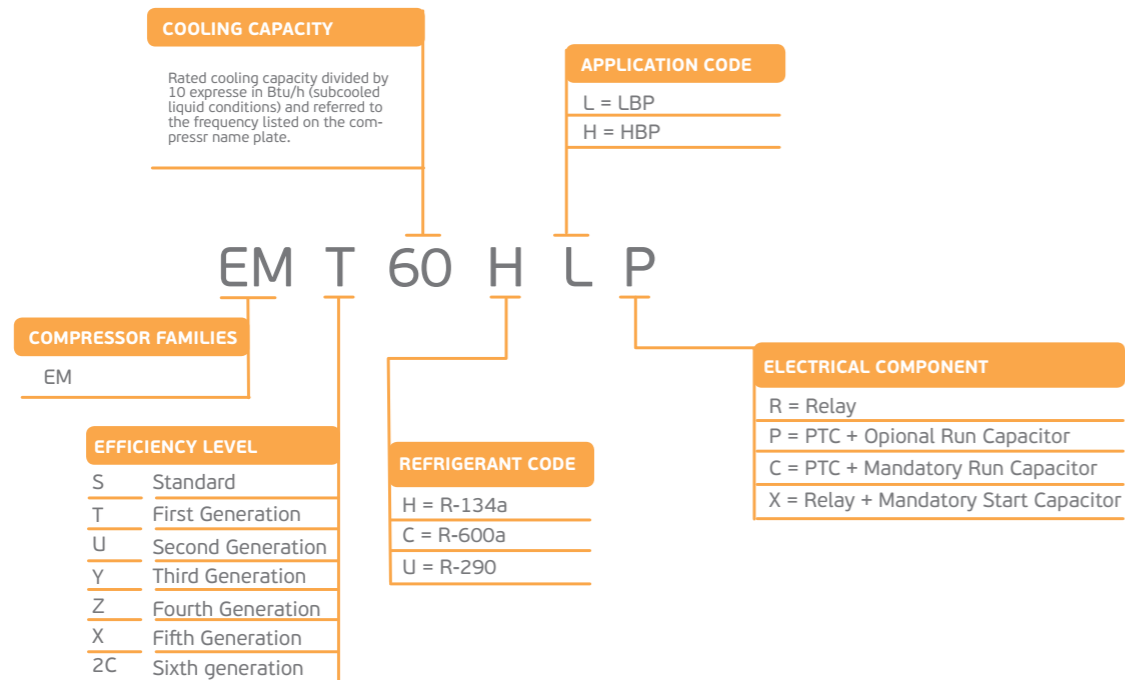
Packaging

Nomenclature

EMT/NEK/NT/NJ



EMT



Model

Volt./Freq.

Motor Type

Acessories

Packaging

Families

FAMILIES	LBP				MBP				HBP			
	R-134a	R-404A	R-290	R-600a	R-134a	R-404A	R-290	R-600a	R-134a	R-404A	R-290	R-600a
EM	✓	✓	✓	✓	✗	✓	✓	✗	✓	✗	✗	✓
NEK	✓	✓	✓	✗	✗	✓	✓	✗	✓	✗	✗	✓
NT	✓	✓	✓	✗	✗	✓	✓	✗	✓	✗	✗	✗
NJ	✓	✓	✗	✗	✗	✓	✗	✗	✓	✗	✗	✗

Voltage & Frequencies

Code	Voltage & Frequency	Voltage Working Range		Minum Start Voltage	
		50Hz	60Hz	50Hz	60Hz
A	220-240V/50Hz 1 ~	198V - 254V		187V	
B	200-230V/50Hz (208-230V/60Hz) 1 ~	180V - 244V	187V-244V	170V	177V
C	220V/50Hz 1 ~	200V - 242V		187V	
D	208-230V/60Hz 1 ~		187V - 244V		177V
G	115V/60Hz 1 ~		103V-127V		98V
J	230V/60Hz 1 ~		207V-253V		195V
K	200-220V/50Hz 1 ~	180V-234V		170V	
M	380-420V/50Hz 3 ~	332V-445V		323V	
N	200-240V/50Hz (230V/60Hz) 1 ~	180V-254V	207V-253V	170V	195V
R	200V/50-60Hz 3 ~	180V-220V	180V-220V	170V	170V
V	230V/50Hz 1 ~	207V-253V		195V	
Z	200-230V/60Hz 1 ~		180V-244V		170V

Fan Coolers Characteristic

FREE AIRFLOW	m³/h	COMPRESSOR
	270	EMT
	520	NEK - NT
	800	NJ

Cooling Type

S **Static Cooling:**
the compressor does not require forced cooling, but it must be installed so that the ambient air can adequately cool to avoid overheating

F **Fan Cooling:**
the compressor requires forced cooling through the use of a fan

Electrical motor starting torque

LST **Low Starting Torque:** LBP-MBP-HBP-AC applications with RSIR-RSCR-PSC electric motors. Execution suitable for systems with a capillary tube and with balanced pressures at start up.

HST **High Starting Torque:** LBP-MBP-HBP applications with CSIR-CSR electric motors. Execution suitable for systems with expansion valve or capillary, with unbalanced pressures at start up.

Electrical motor types

RSIR **Resistance Start – Inductive Run**
This motor type, used in the compressor of small power, has a low starting torque (LST) and must be applied only to capillary tube systems where the pressures equalize. The motor is characterized by a start winding with high ohmic resistance and must be disconnected when it reaches the stabilized rotational speed. An electromagnetic relay, calibrated for the motor current, disconnects the start winding at the end of the start up. An alternative to the electromagnetic relay is, for some models, a PTC solid state-starting device.

RSCR **Resistance Start – Capacitive Run**
Similar to RSIR motor version but uses a PTC solid state starting device and a permanent connected run capacitor to improve its efficiency.

CSIR **Capacitive Start – Inductive Run**
Similar to RSIR motor version but uses a PTC solid state starting device and a permanent connected run capacitor to improve its efficiency.

CSR **Capacitive Start & Run**
CSR version with capacitive run and start windings. Same as PSC motor but with a start capacitor in series with the start winding. A potential starting relay, calibrated for each motor, disconnects the start capacitor at the end of the start. The motor is characterized by a high starting torque (HST) and high efficiency.

PSC **Permanent Split Capacitor:**
PSC version with capacitive run winding. This motor is characterized by the run capacitor permanently connected in series with the start winding; both remain connected even after the motor starts. The starting torque is enough to guarantee that the compressor starts only with balanced pressures in capillary tubes systems or with a pressure equalizer.

3Ø **Three Phase**
Three-phase windings with star connections

Electrical components

Motor Type	Overload Protector	Starting Device			Capacitors	
		Current Relay	Voltage Relay	PTC	Start	Run
RSIR	✓	✓	✗	✓	✗	✗
RSCR	✓	✗	✗	✓	✗	✓
CSIR	✓	✓	✗	✗	✓	✗
CSR	✓	✗	✓	✗	✓	✓
PSC	✓	✗	✗	✗	✗	✓

Accessories & Options

ACCESSORIES & OPTIONS				
	EMT	NEK	NT	NJ
A	Only Rubber Grommets	Only Rubber Grommets	Only Rubber Grommets	Only Rubber Grommets
P	snap-on kit	snap-on kit	✗	✗
V	✗	✗	✗	Rotolock Valve Mechanical
Z	✗	✗	✗	Rotolock Valve Solder

Assembling Accessories

A. RUBBER GROMMET

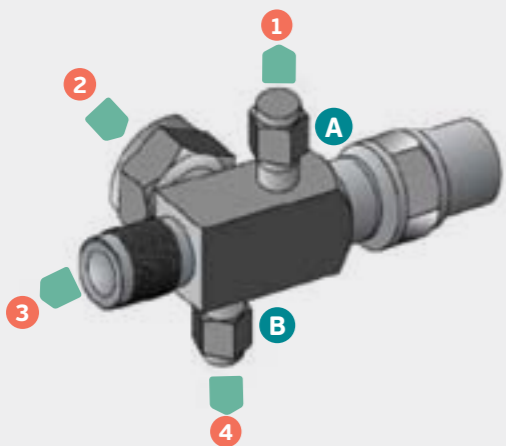
P. SNAP ON

Rubber Grommets Assembling Process:

- A Washer
- B Gap
- C Sleeve
- D Grommets
- E Base Plate
- F Mounting Base
- G Clip
- H Screw M& (M8)
- I Pin

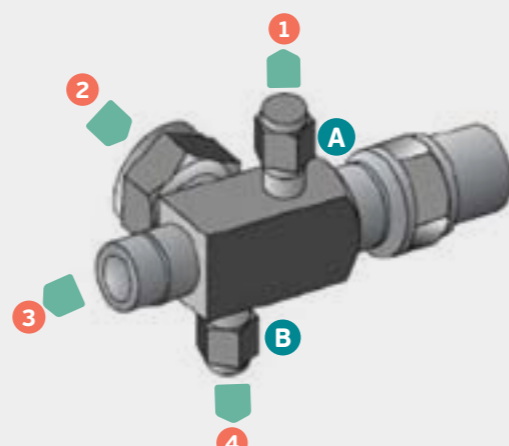
Rotolock Valve

V. MECHANICAL CONNECTION



- 1 Attachment for service or for a manometer
- 2 Connection to the receiver or to the compressor

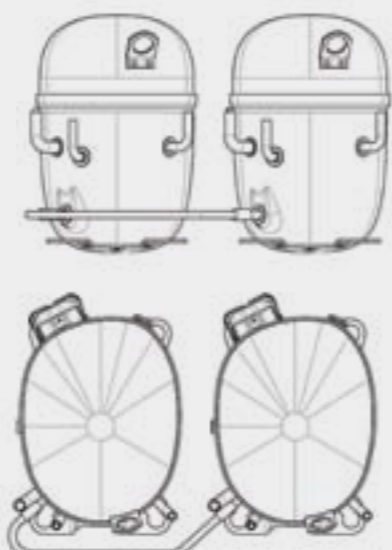
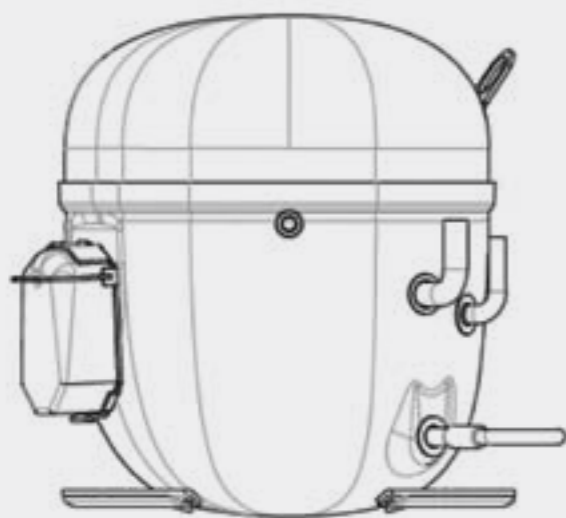
Z. SOLDERED CONNECTION



- 3 Main port
- 4 Connections for pressure-stat
- A & B Service caps (hexagonal nuts)

NT/NJ Gemini

Gemini is a product line that matches low noise and short height for typical semi-hermetic solution. Through an especial shape Embraco designed an hermetic light commercial compressors which can be embedded in appliances, considering individual or dual mode, it means a modular cooling capacity when demanded. These products are available in condensing units and also only compressors.



Packaging code

SINGLE MULTIPLE PACK	CODE	QTY COMPRESSORS	LAYERS	EMT		NOTES
				ELECTRICAL COMPONENTS ASSEMBLED	ELECTRICAL COMPONENTS NOT ASSEMBLED	
SINGLE PACK	A	70	14+14+14+14+14	✓	✗	excluded capacitor
	R	100	20+20+20+20+20	✗	✓	grommets and sleeves delivered separately
	S	120	20+20+20+20+20	✗	✓	
MULTIPLE PACK	G	100	20+20+20+20+20	✓	✗	
	N	37	20+17	✓	✗	and accessories included
	O	74	20+20+20+14	✓	✗	and accessories included

SINGLE MULTIPLE PACK	CODE	QTY COMPRESSORS	LAYERS	NE/NEK		NOTES
				ELECTRICAL COMPONENTS ASSEMBLED	ELECTRICAL COMPONENTS NOT ASSEMBLED	
SINGLE PACK	A	70	14+14+14+14+14	✓	✗	excluded capacitor
	F	44	11+11+11+11	✗	✓	with electrical box inside pack
	J	56	14+14+14+14	✓	✗	including capacitor
	H	28	14+14	✓	✗	with electrical box inside pack
MULTIPLE PACK	M	80	20+20+20+20	✗	✓	electricals packed in separate carton box
	N	40	20+20	✗	✓	electricals packed in separate carton box
	O	74	20+17+20+17	✓	✗	
	Q	36	20+16	✓	✗	

SINGLE MULTIPLE PACK	CODE	QTY COMPRESSORS	LAYERS	NT/NTU		NOTES
				ELECTRICAL COMPONENTS ASSEMBLED	ELECTRICAL COMPONENTS NOT ASSEMBLED	
SINGLE PACK	A	56	14+14+14+14	✓	✗	excluded capacitor
	F	44	11+11+11+11	✗	✓	with electrical box inside pack
MULTIPLE PACK	C	36	18+18	✗	✓	
	Z	24	12+12	✓	✗	

SINGLE MULTIPLE PACK	CODE	QTY COMPRESSORS	LAYERS	NJ		NOTES
				ELECTRICAL COMPONENTS ASSEMBLED	ELECTRICAL COMPONENTS NOT ASSEMBLED	
SINGLE PACK	A	56	14+14+14+14	✗	✓	excluded capacitor
	F	33	11+11+11	✗	✗	with electrical box inside pack
MULTIPLE PACK	C	36	18+18	✗	✓	
	Y	28	14+14	✓	✗	

Load Characteristics for 20' container

SERIES	FIRST LAYER PACK N° - N° COMP.	SECOND LAYER PACK N° - N° COMP.	THIRD LAYER PACK N° - N° COMP.	TOTAL N° OF COMPRESSORS
EM	14 - 120	14 - 60	4	2.520
NEK 1	14 - 72	11 - 72 2	4	1.800
	14 - 72	13 - 73 2	4	1.944
NT 1	14 - 36	14 - 36	7 - 36 4	1.260
	14 - 72	14 - 36	4	1.512
NJ	14 - 36	11 - 36 2	4	900

1

The different load structure (1.800 or 1.944 NE/NEK series compressors - 1.260 or 1.512 NT compressors) is determined by the ratio between the maximum container weight and the compressor weight.

2

No. 3 package filler is added (containing all the equipped components).

3

A package as filler packaging, containing part of the equipped components is added.

4

Type of load which is rarely used. To be avoided due to an incomplete 3rd layer. Packages are added containing the equipped components.

Identification Label

NEK/NT/NTU/NJ label



- 1 Compressor model
- 2 Supply Voltage
- 3 Bill of Materials code
- 4 Serial Number
- 5 Agency Approval Marks
- 6 Date code or Production date
- 7 Oil type and quantity
- 8 Refrigerant type
- 9 Current Consumption (Rated Load Amperage, when applicable)
- 10 Locked Rotor Amperage (when applicable)



1 Compressor model

2 Supply Voltage

3 Bill of Materials code

4 Serial Number

5 Agency Approval Marks

6 Date code or Production date

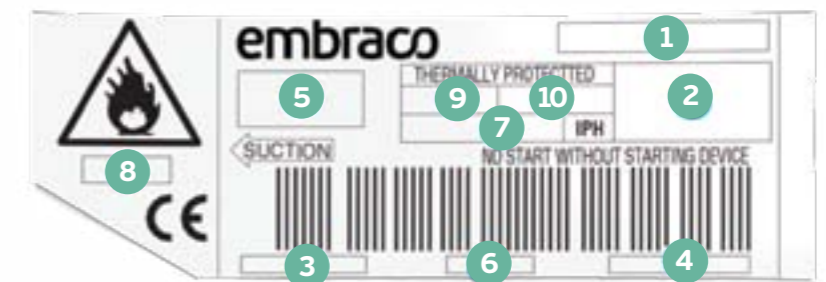
7 Oil type and quantity

8 Refrigerant type

9 Current Consumption (Rated Load Amperage, when applicable)

10 Locked Rotor Amperage (when applicable)

EMT label



GENERAL DATA & PERFORMANCE

Table index

R-134a 1 50 Hz LBP — 33 HBP — 35 60 Hz LBP — 37 HBP — 39	R-290 3 50 Hz LBP — 59 MBP — 61 60 Hz LBP — 63 MBP — 63
R-404A/R-507 2 50 Hz LBP — 43 MBP — 47 60 Hz LBP — 49 MBP — 53	R-600a 4 50 Hz LBP — 65 HBP — 67

How to read our catalogue



- 1** Grouped by refrigerant type
- 2** Grouped by Application Type
- 3** Data classified by supply frequency
- 4** Model Selection
- 5** Cooling capacity @ rated point
ASHRAE & EN12900 or ARI or CECOMAF
- 6** Operative Range of evaporating temp

R-134a

LBP 50Hz

R-134a R-404a / R-507 R-290 R-600a
LBP MBP M/HBP HBP
50Hz 60Hz

MODEL	DISPLACEMENT cm ³	HP	VOLTAGE FREQUENCY	MOTOR TYPE	RATED POINT - ASHRAE		RATED POINT - EN12900		CONDENSING TEMPERATURE °C	COOLING CAPACITY EN12900						MAX HEIGHT mm	WEIGHT kg	LRA A	COOLING TYPE	FAN AIR FLOW (M3/H)	OIL		EXP DEVICE	DRAWINGS		MODEL
					-23,3 °C / 54,4 °C		-35°C/40 °C			EVAPORATING TEMPERATURE °C NO SUBCOOLING W											CHARGE cm ³	TYPE		EXTERNAL VIEW REF.	WIRING DIAGRAM REF.	
					COOLING W	EFFICIENCY W/W	COOLING W	EFFICIENCY W/W		-30	-25	-20	-15	-10	-5											
EMT22HLP	3.00	1/12	220-240V 50Hz 1~	RSIR RSCR	75	1,19	37	0.83	55	38	54	75	98	125	152	158	7.10	3.00	S		180	POE 22	C	DWG01	SM00	EMT22HLP
									45	50	69	91	119	151												
EMT36HLP	3.97	1/10	220-240V 50Hz 1~	RSIR RSCR	108	1,27	54	0.99	55	60	79	105	137	174	217	166	7.52	3.80	S		180	POE 22	C	DWG01	SM00	EMT36HLP
									45	71	94	123	160	203	254											
EMT43HLP	4.85	1/8	220-240V 50Hz 1~	RSIR RSCR	132	1.30	66	0.91	55	71	96	127	164	207	252	166	7.52	4.70	S		180	POE 22	C	DWG01	SM00	EMT43HLP
									45	86	117	153	195	247												
EMT49HLP	5.56	1/6	220-240V 50Hz 1~	RSIR RSCR	151	1.33	75	1.16	55	81	110	144	186	235	292	166	7.71	4.80	S		180	POE 22	C	DWG01	SM00	EMT49HLP
									45	98	131	170	217	274	342											
EMT60HLP	6.76	1/6	220-240V 50Hz 1~	RSIR RSCR	177	1.17	88	0.88	55	96	131	175	228	290	359	166	7.65	6.20	S		180	POE 22	C	DWG01	SM00	EMT60HLP
									45	117	158	208	270	341	421											
NE1121Z	9.26	1/4	220-240V 50Hz 1~	RSIR	253	1.28	126	0.89	55	138	186	246	319	403	500	200	10.92	16.50	F	520.00	350	POE 22	C	DWG03	SM03	NE1121Z
									45	166	220	288	370	464	572											
NE1121Z	9.26	1/4	200-220V 50Hz 1~	RSIR	253	1.28	126	0.93	55	161	217	288	373	472	584	200	10.95	18.00	F	520.00	350	POE 22	C	DWG03	SM03	NE1121Z
									45	193	258	337	433	544	669											
NE2121Z	9.26	1/4	200-220V 50Hz / 230V 60Hz 1~	CSIR	253	1.28	126	0.90	55	138	186	246	319	403	500	200	10.90	15.00	F	520.00	350	POE 22	C/V	DWG03	SM05	NE2121Z
									45	166	220	288	370	464	572											
NE2121Z	9.26	1/4	220-240V 50Hz 1~	CSIR	250	1.23	124	0.86	55	135	183	245	317	403	500	200	10.90	12.60	F	520.00	350	POE 22	C/V	DWG03	SM05	NE2121Z
									45	163	217	285	368	465	575											
NE2130Z	12.11	1/3	200-220V 50Hz / 230V 60Hz 1~	CSIR	314	1.22	156	0.85	55	169	230	305	391	490	601	200	11.65	17.00	F	520.00	350	POE 22	C/V	DWG03	SM05	NE2130Z
									45	204	268	348	444	555	684											
NE1130Z	12.11	1/3	200-220V 50Hz / 230V 60Hz 1~	RSIR	323	1.24	161	0.86	55	179	238	313	402	506	624	200	10.90	22.00	F	520.00	350	POE 22	C	DWG03	SM03	NE1130Z
									45	211	281	366	466	583	715											
NE2130Z	12.11	1/3	220-240V 50Hz 1~	CSIR	343	1.32	171	0.85	55	193	255	332	426	536	660	200	10.95	13.20	F	520.00	350	POE 22	C/V	DWG03	SM05	NE2130Z
									45	227	298	386	491	613	753											
NE1130Z	12.11	1/3	220-240V 50Hz 1~	RSIR	323	1.32	161	0.85	55	179	238	313	402	506	624	200	10.90	16.30	F	520.00	350	POE 22	C	DWG03	SM03	NE1130Z
									45	211	281	366	466	583	715											
NE2130Z	12.11	1/3	100V 50-60Hz 1~	CSIR	323	1.20	161	1.16	55	169	230	305	391	490	601	200	10.95	32.00	F	520.00	350	POE 22	C/V	DWG03	SM05	NE2130Z
									45	204	268	348	444	555	684											
NE2134Z	14.28	1/3	220-240V 50Hz 1~	CSIR	359	1.23	179	0.90	55	196	267	351	453	571	711	206	11.65	17.00	F	520.00	350	POE 22	C/V	DWG03	SM05	NE2134Z
									45	234	313	410	526	662	822											
NEK1116Z	7.37	1/5	220-240V 50Hz 1~	RSIR RSCR	194	1.44	96	1.12	55	101	141	200	245	312	390	200	10.80	14.00	S		350	POE 22	C	DWG02	SM00	NEK1116Z
									45	126	172	225	291	367	460											
NEK2116Z	7.37	1/5	220-240V 50Hz 1~	CSIR	187	1.22	93	0.89	55	96	136	184	241	305	378	200	10.40	10.00	S		350	POE 22	C	DWG03	SM05	NEK2116Z
									45	121	166	221	284	357	436											
NEK1118Z	8.39	1/4	220-240V 50Hz 1~	RSIR RSCR	224	1.43	111	1.08	55	120	163	217	283	357	446	200	10.70	16.00	S		350	POE 22	C	DWG02	SM00	NEK1118Z
									45	144	195	256	328	417	519											
NEK1121Z	9.26	1/4	220-240V 50Hz 1~	RSIR	248	1.27	123	0.99	55	131	179	241	314	401	500	206	11.60	23.00	S		350	POE 22	C	DWG03	SM03	NEK1121Z
									45	158	213	282	365	462	574											
NEK1140Z	16.80	1/2	220-240V 50Hz 1~	RSIR	437	1.26	217	1.00	55	231	319	426	553	699	865	206	11.60	23.00	F	520.00	350	POE 22	C	DWG03	SM03	NEK1140Z
									45	281	381	505	651	820	1011											
NEK2140Z	16.80	1/2	220-240V 50Hz 1~	CSIR	437	1.28	217	0.97	55	239	319	421	543	686	850	206	11.60	19.00	F	520.00	350	POE 22	C/V	DWG03	SM05	NEK2140Z
									45	284	377	495	636	801	991											
NJ2152Z	27.16	1/2	220-240V 50Hz 1~	CSIR	568	1.18	226	0.74	55	234	390	566	761	975	1226	265	20.00	26.00	F	800.00	750	POE 22	C/V	DWG14	SM14	NJ2152Z
									45	325	462	624	834	1070	1336											

NOTE: performance curves are calculated from Ashrae actual curves.

R-134a

HBP 50Hz

R-134a
R-404a / R-507
R-290
R-600a

LBP
MBP
M/HBP
HBP

50Hz
60Hz

MODEL	DISPLACEMENT cm ³	HP	VOLTAGE FREQUENCY	MOTOR TYPE	RATED POINT - ASHRAE		RATED POINT - EN12900		CONDENSING TEMPERATURE °C	COOLING CAPACITY EN12900						MAX HEIGHT mm	WEIGHT kg	LRA A	COOLING TYPE	FAN AIR FLOW (M3/H)	OIL		EXP DEVICE	DRAWINGS		MODEL
					7,2 °C / 54,4 °C		5°C/50 °C			EVAPORATING TEMPERATURE °C NO SUBCOOLING W											CHARGE cm ³	TYPE		EXTERNAL VIEW REF.	WIRING DIAGRAM REF.	
					COOLING W	EFFICIENCY W/W	COOLING W	EFFICIENCY W/W		-15	-10	-5	0	5	10											
EMT37HDP	3.4	1/8	200-230V 50Hz / 208-230V 60Hz 1~	RSIR	351	2.56	321	2.46	55	117	150	189	237	298	361	166	7.2	4.3	S		180	POE 22	C	DWG01	SM00	EMT37HDP
									45	146	184	229	284	343	423											
EMT50HDP	4.5	1/6	200-230V 50Hz / 208-230V 60Hz 1~	RSIR	474	2.58	427	2.54	55	159	203	257	319	390	469	166	7.7	9.1	S		180	POE 22	C	DWG01	SM00	EMT50HDP
									45	187	240	303	324	458	549											
EMT37HDP	3.4	1/8	220-240V 50Hz 1~	RSIR	351	2.55	321	2.46	55	117	153	194	241	294	355	158	7.2	4.3	S		180	POE 22	C	DWG01	SM00	EMT37HDP
									45	142	181	228	245	343	412											
EMT45HDR	3.97	1/8	220-240V 50Hz 1~	CSIR	421	2.66	379	2.58	55	117	150	189	237	298	361	166	7.7	5.4	S		180	POE 10	C/V	DWG01	SM05	EMT45HDR
									45	146	184	229	284	402	423											
EMT50HDP	4.5	1/6	220-240V 50Hz 1~	RSIR	475	2.58	423	2.47	55	158	203	256	318	388	472	166	7.7	5.4	S		180	POE 22	C	DWG01	SM00	EMT50HDP
									45	191	242	303	374	456	549											
EMT6144Z	5.19	1/5	220-240V 50Hz 1~	CSIR	577	2.6	519	2.53	55	197	250	313	388	474	573	166	7.8	8.5	F	520	180	POE 22	C/V	DWG01	SM05	EMT6144Z
									45	232	294	367	395	549	661											
EMT6160Z	6.76	1/4	220-240V 50Hz 1~	CSIR	720	2.4	648	2.34	55	255	322	403	495	600	718	166	7.8	9.8	F	520	180	POE 22	C/V	DWG01	SM05	EMT6160Z
									45	298	377	469	504	696	830											
EMT6170Z	7.69	1/4	220-240V 50Hz 1~	CSIR	806	2.26	725	2.18	55	281	358	448	550	663	789	166	7.8	10.4	F	520	180	POE 22	C/V	DWG01	SM05	EMT6170Z
									45	330	418	522	559	771	915											
EMT6187Z			220-240 / 50 Hz		967	2.36	UD.	UD.	55	UD.	UD.	UD.	UD.	UD.	UD.	UD.	UD.	UD.	UD.	UD.	UD.	UD.	UD.	UD.	UD.	EMT6187Z
									45	UD.	UD.	UD.	UD.	UD.												
NEK6160Z	7.28	1/4	220-240V 50Hz 1~	CSIR	716	2.41	663	2.41	55	232	296	376	472	586	716	187.0	10.4	11.5	F	520	350	POE 22	C/V	DWG03	SM05	NEK6160Z
									45	281	355	448	481	687	834											
NEK6160Z	7.28	1/4	200-230V 50Hz / 208-230V 60Hz 1~	CSIR	717	2.41	664	2.41	55	226	290	371	470	586	720	187.0	10.4	13.5	F	520	350	POE 22	C/V	DWG03	SM05	NEK6160Z
									45	277	350	442	478	684	833											
NEK6170Z	8.39	1/4	220-240V 50Hz 1~	CSIR	837	2.41	775	2.45	55	284	360	453	562	689	833	187.0	10.4	12.4	F	520	350	POE 22	C/V	DWG03	SM05	NEK6170Z
									45	336	422	527	572	798	964											
NEK6170Z	8.39	1/4	200-230V 50Hz / 208-230V 60Hz 1~	CSIR	841	2.44	779	2.46	55	284	358	451	563	693	841	200.0	10.8	16.5	F	520	350	POE 22	C/V	DWG03	SM05	NEK6170Z
									45	335	420	526	573	802	971											
NEK6170Z	8.39	1/4	100V 50/60Hz 1~	CSIR	823	2.18	762	2.16	55	285	313	384	496	650	844	187.0	10.4	34	F	520	350	POE 22	C/V	DWG03	SM05	NEK6170Z
									45	337	367	445	505	742	958											
NEK6187Z	9.99	1/3	220-240V 50Hz 1~	CSIR	967	2.36	896	2.38	55	314	402	511	642	793	965	200.0	11.0	16.1	F	520	350	POE 22	C/V	DWG03	SM05	NEK6187Z
									45	378	477	600	654	918	1113											
NEK6187Z	9.99	1/3	200-230V 50Hz / 208-230V 60Hz 1~	CSIR	965	2.39	894	2.40	55	360	439	538	657	796	955	206.0	11.6	19.3	F	520	350	POE 22	C/V	DWG03	SM05	NEK6187Z
									45	375	479	606	669	928	1123											
NEK6210Z	12.11	1/3	220-240V 50Hz 1~	CSIR	1129	2.29	1046	2.29	55	358	480	619	773	942	1127	200.0	11.0	19.5	F	520	350	POE 22	C/V	DWG03	SM05	NEK6210Z
									45	456	578	726	787	1097	1319											
NEK6210Z	12.11	1/3	200-230V 50Hz / 208-230V 60Hz 1~	CSIR	1105	2.13	1024	2.16	55	401	454	554	699	891	1128	206.0	11.6	20	F	520	350	POE 22	C/V	DWG03	SM05	NEK6210Z
									45	469	523	637	711	1031	1314											
NEK6212Z	14.28	1/2	220-240V 50Hz 1~	CSIR	1314	2.09	1217	2.12	55	444	562	708	881	1081	1308	206.0	11.2	19.5	F	520	350	POE 22	C/V	DWG03	SM05	NEK6212Z
									45	534	665	828	897	1248	1504											
NEK6212Z	14.28	1/2	200-230V 50Hz / 208-230V 60Hz 1~	CSR	1302	2.12	1206	2.14	55	442	565	712	882	1076	1291	206.0	11.6	22.5	F	520	350	POE 22	C/V	DWG03	SM06	NEK6212Z
									45	521	662	830	898	1249	1498											
NEK6214Z	16.8	1/2	220-240V 50Hz 1~	CSIR	1486	1.92	1377	1.96	55	499	640	814	1008	1215	1473	206.0	11.6	25.5	F	520	350	POE 22	C/V	DWG03	SM05	NEK6214Z
									45	593	752	945	1026	1412	1701											
NT6215Z	17.39	1/2	220V 50Hz 1~	CSIR	1620	2.29	1256	1.92	55	484	646	843	1071	1326	1606	207.0	17.0	20.7	F	520	450	POE 22	C/V	DWG15	SM19	NT6215Z
									45	621	796	1014	1090	1567	1894											

NOTE: performance curves are calculated from Ashrae actual curves.

R-134a

HBP 50Hz

R-134a R-404a / R-507 R-290 R-600a
LBP MBP M/HBP HBP
50Hz 60Hz

MODEL	DISPLACEMENT cm ³	HP	VOLTAGE FREQUENCY	MOTOR TYPE	RATED POINT - ASHRAE		RATED POINT - EN12900		CONDENSING TEMPERATURE °C	COOLING CAPACITY EN12900						MAX HEIGHT mm	WEIGHT kg	LRA A	COOLING TYPE	FAN AIR FLOW (M ³ /H)	OIL		EXP DEVICE	DRAWINGS		MODEL
					7,2 °C / 54,4 °C		5°C/50 °C			EVAPORATING TEMPERATURE °C NO SUBCOOLING W											CHARGE cm ³	TYPE		EXTERNAL VIEW REF.	WIRING DIAGRAM REF.	
					COOLING W	EFFICIENCY W/W	COOLING W	EFFICIENCY W/W		-15	-10	-5	0	5	10											
NT6215Z	17.39	1/2	200-240V 50Hz / 230V 60Hz 1~	CSIR	1607	2.52	1246	2.14	55	520	661	829	1033	1282	1582	220.0	17.0	21	F	520	450	POE 22	C/V	DWG15	SM19	NT6215Z
									45	627	796	998	1241	1533	1883											
NT6217Z	20.44	3/4	220-240V 50Hz 1~	CSIR	1863	2.31	1444	1.97	55	633	791	991	1234	1521	1853	220.0	17.0	25	F	520	450	POE 22	C/V	DWG15	SM19	NT6217Z
									45	754	938	1173	1256	1795	2185											
NT6217Z	20.44	3/4	200-240V 50Hz / 230V 60Hz 1~	CSIR	1863	2.41	1444	2.06	55	598	764	961	1196	1473	1800	220.0	17.0	25	F	520	450	POE 22	C/V	DWG15	SM19	NT6217Z
									45	712	912	1148	1428	1757	2143											
NT6220Z	22.37	3/4	200-240V 50Hz/230V 60Hz 1~	CSIR	2016	2.34	1563	1.99	55	675	852	1060	1303	1586	1915	220.0	17.2	29.5	F	520	450	POE 22	C/V	DWG15	SM19	NT6220Z
									45	800	1011	1260	1554	1897	2294											
NT6220Z	22.37	3/4	200-240V 50Hz / 230V 60Hz 1~	CSIR	2016	2.34	1563	1.99	55	675	852	1060	1303	1586	1915	220.0	17.2	28	F	520	450	POE 22	C/V	DWG15	SM19	NT6220Z
									45	800	1010	1260	1554	1897	2294											
NTU6222ZV	23.74	3/4	220-240V 50Hz 1~	CSR	2424	3.09	1879	2.64	55	811	1044	1305	1605	1955	2365	253.0	18.3	30	F	520	650	POE 22	C/V	DWG19	SM26	NTU6222ZV
									45	968	1225	1521	1866	2273	2754											
NTU6224ZV	27.8	1	220-240V 50Hz 1~	CSR	2767	3	2145	2.56	55	1004	1272	1574	1921	2325	2795	253.0	18.3	30	F	520	650	POE 22	C/V	DWG19	SM26	NTU6224ZV
									45	1179	1484	1834	2242	2720	3277											
NJ6220Z	26.11	3/4	220-240V 50Hz 1~	CSIR	2547	2.6	1975	2.21	55	629	875	1147	1459	1826	2260	265.0	20.5	35.0	F	800	750	POE 22	C/V	DWG14	SM14	NJ6220Z
									45	822	1104	1419	1780	2202	2699											
NJ6226Z	34.38	1	220-240V 50Hz 1~	CSR	2976	2.41	2307	2.02	55	868	1182	1531	1923	2371	2886	253.0	19.8	31.0	F	800	750	POE 22	C/V	DWG14	SM17	NJ6226Z
									45	1144	1497	1892	2340	2852	3438											
NJ6220ZX	26.11	3/4	380-420V 50Hz / 440-480V 60Hz 3 ~	3PHASE	2547	2.91	1975	2.47	55	696	993	1326	1693	2096	2534	265.0	19.6	10.0	F	800	750	POE 22	C/V	DWG14	SM18	NJ6220ZX
									45	882	1159	1502	1723	2389	2932											
NJ6226ZX	34.38	1	380-420V 50Hz / 440-480V 60Hz 3 ~	3PHASE	2976	2.5	2307	2.12	55	878	1214	1589	2004	2457	2950	265.0	20.2	13.0	F	800	750	POE 22	C/V	DWG14	SM18	NJ6226ZX
									45	1304	1644	2044	2539	3027	3608											

NOTE: performance curves are calculated from Ashrae actual curves.

R-134a

LBP 60Hz

R-134a R-404a / R-507 R-290 R-600a
LBP MBP M/HBP HBP
50Hz 60Hz

MODEL	DISPLACEMENT cm ³	HP	VOLTAGE FREQUENCY	MOTOR TYPE	RATED POINT - ASHRAE		RATED POINT - ARI 540		CONDENSING TEMPERATURE °C	COOLING CAPACITY ARI 540						MAX HEIGHT mm	WEIGHT kg	LRA A	COOLING TYPE	FAN AIR FLOW (M ³ /H)	OIL		EXP DEVICE	DRAWINGS		MODEL
					-23,3 °C / 54,4 °C		-23,3°C/48,9 °C			EVAPORATING TEMPERATURE °C NO SUBCOOLING W											CHARGE cm ³	TYPE		EXTERNAL VIEW REF.	WIRING DIAGRAM REF.	
					COOLING W	EFFICIENCY W/W	COOLING W	EFFICIENCY W/W		-30	-25	-20	-15	-10	-5											
NEK2116Z	7.37	1/5	115V 60Hz 1~	CSIR	216	1.17	171	0.92	54.4	86	127	180	247	328	422	200	10.0	22.0	S	520	350	POE 22	C/V	DWG04	SM04	NEK2116Z
									45	122	169	229	300	385	481											
NE2121Z	9.27	1/4	115V 60Hz 1~	CSIR	278	1.09	204	0.81	54.4	109	147	195	252	338	432	200	11.0	29.0	F	520	350	POE 22	C/V	DWG04	SM04	NE2121Z
									45	132	176	230	310	390	490											
NE2130Z	12.1	1/3	100V 50/60Hz 1~	CSIR	367	1.19	269	1.16	54.4	166	227	300	383	479	586	200	11.0	38.0	F	520	350	POE 22	C/V	DWG04	SM04	NE2130Z
									45	205	268	348	443	553	679											
NE2130Z	12.1	1/3	115V 60Hz 1~	CSIR	367	1.19	269	0.88	54.4	166	227	300	383	479	586	200	11.0	38.0	F	520	350	POE 22	C/V	DWG04	SM04	NE2130Z
									45	205	268	348	443	553	679											
NE2134Z	14.3	1/2	115V 60Hz 1~	CSIR	425	1.23	312	0.91	54.4	191	257	334	424	533	660	200	11.0	33.0	F	520	350	POE 22	C/V	DWG04	SM04	NE2134Z
									45	228	303	392	495	618	764											
NE2134Z	14.3	1/2	208-230V 60Hz 1~	CSIR	409	1.24	300	0.92	54.4	188	252	332	425	533	654	206	11.6	21.0	F	520	350	POE 22	C/V	DWG04	SM04	NE2134Z
									45	230	302	392	498	622	763											
NEK2140Z	16.8	1/2	115V 60Hz 1~	CSIR	500	1.19	390	0.94	54.4	236	314	417	546	698	876	206	11.0	40.0	F	520	350	POE 22	C/V	DWG04	SM04	NEK2140Z
									45	279	378	503	653	828	1030											
NT2152ZV	26.2	1/2	115V 60Hz 1~	CSR	681	1.31	610	1.07	54.4	261	425	646	871	1104	1363	250	18.2	70.0	F	520	450	POE 22	C/V	DWG17	SM26	NT2152ZV
									45	380	593	815	1049	1303	1582											

NOTE: performance curves are calculated from Ashrae actual curves.

R-134a

HBP 60Hz

R-134a R-404a / R-507 R-290 R-600a
LBP MBP M/HBP HBP
50Hz 60Hz

MODEL	DISPLACEMENT cm ³	HP	VOLTAGE FREQUENCY	MOTOR TYPE	RATED POINT - ASHRAE 7,2 °C / 54,4 °C		RATED POINT - ARI 540 7,2°C/54,4 °C		CONDENSING TEMPERATURE °C	EVAPORATING TEMPERATURE °C NO SUBCOOLING W						MAX HEIGHT mm	WEIGHT kg	LRA A	COOLING TYPE	FAN AIR FLOW (M3/H)	OIL		EXP DEVICE	DRAWINGS		MODEL
					COOLING W	EFFICIENCY W/W	COOLING W	EFFICIENCY W/W		-15	-10	-5	0	5	10						CHARGE cm ³	TYPE		EXTERNAL VIEW REF.	WIRING DIAGRAM REF.	
EMT37HDP	3.40	1/2	200-230V 50Hz / 208-230V 60Hz 1~	RSIR	422	2.48	378	2.22	54.4		184	231	286	348	417	7.7	166	5.4	S		180	POE 22	C	DWG01	SM00	EMT37HDP
EMT50HDP	4.50	1/2	200-230V 50Hz / 208-230V 60Hz 1~	RSIR	563	2.55	506	2.29	54.4		248	310	382	464	556	7.7	166	9.1	S		180	POE 22	C	DWG01	SM00	EMT50HDP
EMT6187Z			115V 60Hz 1~		1160	2.36	UD.	UD.		UD.	UD.	UD.	UD.	UD.	UD.	UD.	UD.	UD.	UD.	UD.	UD.	UD.	UD.	UD.	UD.	EMT6187Z
NEK6132Z	4.51	1/6	115V 60Hz 1~	CSIR	516	2.13	473	1.94	54.4		211	272	346	431	529	187	10	26.0	F	520	350	POE 22	C/V	DWG04	SM04	NEK6132Z
NEK6144Z	5.44	1/6	115V 60Hz 1~	CSIR	640	2.18	584	1.98	54.4		268	343	432	535	652	187	10.1	26.0	F	520	350	POE 22	C/V	DWG04	SM04	NEK6144Z
NEK6160Z	7.28	1/4	115V 60Hz 1~	CSIR	845	2.35	758	2.11	54.4		354	450	563	694	846	187	10.4	28.5	F	520	350	POE 22	C/V	DWG04	SM04	NEK6160Z
NEK6160Z	7.28	1/4	200-230V 50Hz / 208-230V 60Hz 1~	CSIR	845	2.41	758	2.17	54.4		351	450	563	693	839	187	10.4	13.5	F	520	350	POE 22	C/V	DWG03	SM04	NEK6160Z
NEK6170Z	8.40	1/4	115V 60Hz 1~	CSIR	978	2.34	878	2.10	54.4		423	527	655	804	974	187	10.4	28.5	F	520	350	POE 22	C/V	DWG04	SM04	NEK6170Z
NEK6170Z	8.40	1/4	100V 50/60Hz 1~	CSIR	823	2.18	738	1.95	54.4		382	461	585	759	988	187	10.4	35.5	F	520	340	POE 22	C/V	DWG04	SM04	NEK6170Z
NEK6170Z	8.40	1/4	200-230V 50Hz / 208-230V 60Hz 1~	CSIR	981	2.38	881	2.14	54.4		428	532	657	804	970	200	10.8	16.5	F	520	350	POE 22	C/V	DWG03	SM04	NEK6170Z
NEK6187Z	10.00	1/3	115V 60Hz 1~	CSIR	1122	2.31	1007	2.07	54.4		476	597	746	921	1124	200	11.0	37.0	F	520	350	POE 22	C/V	DWG04	SM04	NEK6187Z
NEK6187Z	10.00	1/3	200-230V 50Hz / 208-230V 60Hz 1~	CSIR	1115	2.30	1000	2.06	54.4		477	603	750	918	1109	206	11.6	19.3	F	520	350	POE 22	C/V	DWG03	SM04	NEK6187Z
NEK6210Z	12.11	1/3	115V 60Hz 1~	CSIR	1326	2.18	1190	1.96	54.4		575	722	895	1094	1319	200	11.0	37.0	F	520	350	POE 22	C/V	DWG04	SM04	NEK6210Z
NEK6210Z	12.11	1/2	200-230V 50Hz / 208-230V 60Hz 1~	CSIR	1267	2.10	1138	1.88	54.4		507	614	782	1011	1299	206	11.6	20.0	F	520	350	POE 22	C/V	DWG03	SM04	NEK6210Z
NEK6212Z	14.28	1/2	115V 60Hz 1~	CSIR	1517	1.98	1361	1.78	54.4		658	830	1028	1254	1506	206	11.6	40.0	F	520	350	POE 22	C/V	DWG04	SM04	NEK6212Z
NEK6212Z	14.28	1/2	115V 60Hz 1~	CSR	1568	2.18	1407	1.96	54.4		658	830	1028	1254	1506	206	11.6	40.0	F	520	350	POE 22	C/V	DWG04	SM06	NEK6212Z
NEK6212Z	14.28	1/2	200-230V 50Hz / 208-230V 60Hz 1~	CSR	1474	1.97	1323	1.77	54.4		660	825	1011	1221	1450	206	11.6	22.5	F	520	350	POE 22	C/V	DWG03	SM06	NEK6212Z
NEK6214Z	16.80	3/4	115V 60Hz 1~	CSR	1746	2.05	1568	1.84	54.4		748	948	1180	1443	1734	206	11.6	48.0	F	520	350	POE 22	C/V	DWG04	SM06	NEK6214Z
NEK6214Z	16.80	3/4	208-230V 60Hz 1~	CSIR	1697	1.97	1523	1.77	54.4		731	921	1143	1396	1677	206	11.4	30.0	F	520	350	POE 22	C/V	DWG04	SM04	NEK6214Z
NEK6214Z	16.80	3/4	208-230V 60Hz 1~	CSR	1712	2.11	1537	1.89	54.4		740	929	1153	1410	1698	206	11.4	30.0	F	520	350	POE 22	C/V	DWG03	SM06	NEK6214Z
NT6215Z	17.40	1/2	115V 60Hz 1~	CSIR	1942	2.40	1933	2.37	54.4		893	1146	1439	1772	2144	207	16.5	44.0	F	520	450	POE 22	C/V	DWG15	SM20	NT6215Z
NT6215Z	17.40	1/2	115V 60Hz 1~	CSR	2015	2.61	1925	2.50	54.4		880	1121	1410	1743	2124	207	15.7	44.0	F	520	450	POE 22	C/V	DWG15	SM23	NT6215Z
NT6215Z	17.40	1/2	208-230V 60Hz 1~	CSIR	1876	2.25	1794	2.11	54.4		861	1085	1347	1648	1986	207	17.0	20.8	F	520	450	POE 22	C/V	DWG15	SM20	NT6215Z

NOTE: performance curves are calculated from Ashrae actual curves.

R-134a

HBP 60Hz

R-134a R-404a / R-507 R-290 R-600a
LBP MBP M/HBP HBP
50Hz 60Hz

MODEL	DISPLACEMENT cm ³	HP	VOLTAGE FREQUENCY	MOTOR TYPE	RATED POINT - ASHRAE		RATED POINT - ARI 540		CONDENSING TEMPERATURE °C	EVAPORATING TEMPERATURE °C NO SUBCOOLING W						MAX HEIGHT mm	WEIGHT kg	LRA A	COOLING TYPE	FAN AIR FLOW (M ³ /H)	OIL		EXP DEVICE	DRAWINGS		MODEL
					7,22°C/54,4 °C		7,2°C/54,4 °C			-15	-10	-5	0	5	10						CHARGE cm ³	TYPE		EXTERNAL VIEW REF.	WIRING DIAGRAM REF.	
					COOLING W	EFFICIENCY W/W	COOLING W	EFFICIENCY W/W																		
NT6217Z	20.44	3/4	115V 60Hz 1~	CSIR	2186	2.21	2174	2.18	54.4		1040	1320	1635	1986	2372	220	17.5	45.0	F	520	450	POE 22	C/V	DWG15	SM20	NT6217Z
					45	950	1210	1520	1879	2285	2740															
NT6217Z	20.44	3/4	115V 60Hz 1~	CSR	2189	2.29	2208	2.42	54.4		1051	1339	1655	2013	2425	220	17.5	45.0	F	520	450	POE 22	C/V	DWG15	SM23	NT6217Z
					45	956	1243	1558	1913	2320	2792															
NT6217Z	20.44	3/4	208-230V 60Hz 1~	CSIR	2221	2.27	2126	2.18	54.4		999	1268	1581	1936	2336	207	15.7	31.0	F	520	450	POE 22	C/V	DWG15	SM20	NT6217Z
					45	922	1173	1474	1827	2229	2680															
NT6217Z	20.44	3/4	208-230V 60Hz 1~	CSR	2287	2.58	2157	2.45	54.4		998	1267	1572	1935	2339	207	15.7	31.0	F	520	450	POE 22	C/V	DWG15	SM23	NT6217Z
					45	921	1170	1474	1829	2228	2680															
NT6220Z	22.37	1	115V 60Hz 1~	CSIR	2431	2.22	2361	2.34	54.4		1169	1472	1810	2183	2592	220	17.0	54.5	F	520	450	POE 22	C/V	DWG17	SM21	NT6220Z
					45	1060	1334	1660	2036	2463	2941															
NT6220Z	22.37	1	115V 60Hz 1~	CSR	2466	2.48	2361	2.47	54.4		1174	1476	1821	2196	2605	220	17.0	54.5	F	520	450	POE 22	C/V	DWG17	SM21	NT6220Z
					45	1067	1339	1668	2047	2481	2959															
NT6220Z	22.37	1	208-230V 60Hz 1~	CSIR	2447	2.27	2420	2.09	54.4		1150	1450	1797	2198	2665	220	17.2	33.7	F	520	450	POE 22	C/V	DWG16	SM20	NT6220Z
					45	1061	1357	1696	2088	2540	3060															
NTU6222ZV	23.74	1	115V 60Hz 1~	CSR	2965	2.96	2882	2.83	54.4		1322	1703	2138	2633	3185	250	18.3	70.0	F	520	650	POE 22	C/V	DWG19	SM26	NTU6222ZV
					45	1206	1575	2002	2490	3041	3654															
NTU6222ZV	23.74	1	208-230V 60Hz 1~	CSR	2944	3.04	2893	2.91	54.4		1187	1628	2142	2678	3179	250	18.3	35.0	F	520	650	POE 22	C/V	DWG19	SM26	NTU6222ZV
					45	1111	1517	2014	2550	3068	3516															
NTU6224ZV	27.80	1/4	115V 60Hz 1~	CSR	3471	2.82	3355	2.70	54.4		1590	2021	2508	3054	3664	250	18.1	78.0	F	520	650	POE 22	C/V	DWG19	SM26	NTU6224ZV
					45	1458	1881	2359	2898	3499	4167															
NTU6224ZV	27.80	1/4	208-230V 60Hz 1~	CSR	3391	2.87	3412	2.70	54.4		1622	2050	2519	3011	3509	250	18.1	46.0	F	520	650	POE 22	C/V	DWG19	SM26	NTU6224ZV
					45	1501	1907	2396	2951	3522	4186															
NJ6220Z	26.11	1	115V 60Hz 1~	CSIR	2980	2.39	2674	2.14	54.4		1000	1334	1699	2100	2541	265	19.8	72.0	F	820	750	POE 22	C/V	DWG14	SM14	NJ6220Z
					45	886	1163	1506	1914	2387	2922															
NJ6220Z	26.11	1	208-230V 60Hz 1~	CSIR	2664	2.24	2391	2.01	54.4		955	1292	1687	2138	2644	265	20.3	42.0	F	820	750	POE 22	C/V	DWG14	SM14	NJ6220Z
					45	882	1226	1625	2077	2582	3138															
NJ6226Z	34.38	1/4	208-230V 60Hz 1~	CSR	3261	2.26	2927	2.03	54.4		1268	1680	2149	2673	3254	253	19.9	40.0	F	820	750	POE 22	C/V	DWG14	SM17	NJ6226Z
					45	1227	1621	2073	2583	3150	3772															
NJ6220ZX	26.11	1	380-420V 50Hz / 440-480V 60Hz 3~	3PHASE	2980	2.92	2674	2.62	54.4		1169	1560	1989	2457	2962	265	19.6	10.0	F	820	750	POE 22	C/V	DWG14	SM18	NJ6220ZX
					45	1036	1360	1763	2240	2793	3419															
NJ6226ZX	34.38	1	380-420V 50Hz / 440-480V 60Hz 3~	3PHASE	3482	2.51	3125	2.25	54.4		1430	1870	2353	2881	3448	265	20.2	13.0	F	820	750	POE 22	C/V	DWG14	SM18	NJ6226ZX
					45	1533	1930	2398	2934	3537	4207															

NOTE: performance curves are calculated from Ashrae actual curves.

R-404A / R-507

LBP 50Hz

R-134a R-404a / R-507 R-290 R-600a
LBP MBP M/HBP HBP
50Hz 60Hz

MODEL	DISPLACEMENT cm ³	HP	VOLTAGE FREQUENCY	MOTOR TYPE	RATED POINT - ASHRAE -23,3 °C / 54,4 °C		RATED POINT - EN12900 -35°C/40 °C		CONDENSING TEMPERATURE °C	COOLING CAPACITY EN12900 EVAPORATING TEMPERATURE °C NO SUBCOOLING W							MAX HEIGHT mm	WEIGHT kg	LRA A	COOLING TYPE	FAN AIR FLOW (M3/H)	OIL		EXP DEVICE	DRAWINGS		MODEL
					COOLING W	EFFICIENCY W/W	COOLING W	EFFICIENCY W/W		-40	-35	-30	-25	-20	-15	-10						CHARGE cm ³	TYPE		EXTERNAL VIEW REF.	WIRING DIAGRAM REF.	
EMT2117GK	4.5	1/4	220-240V 50Hz 1~	CSIR	244	1.35	141	1.09	55			127	166	211	264	326	166	7.8	7.7	S		180	POE 22	C/V	DWG01	SM05	EMT2117GK
EMT2121GK	5.2	1/3	220-240V 50Hz 1~	CSIR	300	1.4	174	1.12	55	91	125	164	210	265	330	408	166	7.8	8.5	F	520	180	POE 22	C/V	DWG01	SM05	EMT2121GK
EMT2125GK	5.96	1/3	220-240V 50Hz 1~	CSIR	351	1.4	204	1.15	55			190	242	303	375	458	166	7.8	9.8	F	520	180	POE 22	C/V	DWG01	SM05	EMT2125GK
EMT2130GK	6.76	1/2	220-240V 50Hz 1~	CSIR	390	1.34	222	1.08	55			205	263	330	407	497	171	8	12.14	F	520	180	POE 22	C/V	DWG01	SM05	EMT2130GK
NEK2117GK	4.52	1/4	220-240V 50Hz 1~	CSIR	235	1.29	125	0.94	55			117	154	197	247	303	187	10.4	9.6	S		350	POE 22	C/V	DWG02	SM05	NEK2117GK
NEK1121GK	5.45	1/4	220-240V 50Hz 1~	RSIR	265	1.19	139	0.88	55			147	183	232	290	355	187	10.4	15.4	S		350	POE 22	C	DWG03	SM03	NEK1121GK
NEK2121GK	5.45	1/3	220-240V 50Hz 1~	CSIR	282	1.29	156	0.99	55			143	188	241	303	375	187	10.4	9.6	S		350	POE 22	C/V	DWG03	SM05	NEK2121GK
NEK1125GK	6.2	1/3	220-240V 50Hz 1~	RSIR	310	1.22	162	0.91	55			168	210	256	300	347	200	11	20.2	S		350	POE 22	C	DWG03	SM03	NEK1125GK
NEK2125GK	6.2	1/3	220-240V 50Hz 1~	CSIR	341	1.22	178	0.9	55			169	221	283	354	434	187	10.4	12.4	F	520	350	POE 22	C/V	DWG03	SM05	NEK2125GK
NEK2130GK	7.4	1/2	220-240V 50Hz 1~	CSIR	399	1.32	210	0.99	55			203	267	341	426	522	200	10.9	16	F	520	350	POE 22	C/V	DWG03	SM05	NEK2130GK
NEK2134GK	8.78	1/2	220-240V 50Hz 1~	CSIR	464	1.3	253	1	55			239	313	401	501	611	200	11.0	16.1	F	520	350	POE 22	C/V	DWG03	SM05	NEK2134GK
NEK2134GK	8.78	1/2	100V 50/60Hz 1~	CSIR	448	1.19	235	0.86	55			233	305	390	486	595	206	11.6	34	F	520	350	POE 22	C/V	DWG04	SM03	NEK2134GK
NEK2134GK	8.78	1/2	100V 50/60Hz 1~	CSR	452	1.28	237	0.93	55			236	309	394	491	600	206	11.6	34	F	520	350	POE 22	C/V	DWG04	SM03	NEK2134GK
NEK2150GK	12.12	3/4	220-240V 50Hz 1~	CSIR	616	1.24	346	0.98	55			326	419	529	657	807	206	11.6	19.5	F	520	350	POE 22	C/V	DWG03	SM05	NEK2150GK
NEK2150GK	12.12	1/2	100V 50/60Hz 1~	CSR	581	1.14	304	0.8	55			299	395	509	640	788	206	11.6	44	F	520	350	POE 22	C/V	DWG04	SM03	NEK2150GK
NEK2168GK	14.3	3/4	220-240V 50Hz 1~	CSIR	688	1.13	360	0.95	55			358	468	596	743	909	206	11.6	24	F	520	350	POE 22	C/V	DWG03	SM05	NEK2168GK
NEK2168GK	14.3	3/4	220-240V 50Hz 1~	CSR	707	1.28	380	0.97	55			371	484	618	771	944	206	11.6	24	F	520	350	POE 22	C/V	DWG03	SM05	NEK2168GK
NEK2172GK	16.8	3/4	220-240V 50Hz 1~	CSR	819	1.3	462	1.06	55			431	558	707	876	1065	206	11.8		F	520	350	POE 22	C/V	DWG03	SM06	NEK2172GK
NT2168GK	14.50	3/4	200-240V 50Hz / 230V 60Hz 1~	CSIR	642	1.28	354	1.03	55			319	422	542	685	859	220	17	25	F	520	450	POE 22	C/V	DWG16	SM19	NT2168GK
NT2168GK	14.50	3/4	200-240V 50Hz / 230V 60Hz 1~	CSR	642	1.28	354	1.03	55			319	422	542	685	859	220	17	25	F	520	450	POE 22	C/V	DWG16	SM23	NT2168GK
NT2178GK	17.40	3/4	200-240V 50Hz / 230V 60Hz 1~	CSIR	800	1.15	419	0.89	55			399	516	651	806	983	220	17	26	F	520	450	POE 22	C/V	DWG16	SM19	NT2178GK
NT2178GK	17.40	3/4	200-240V 50Hz / 230V 60Hz 1~	CSR	800	1.36	419	1	55			399	516	651	806	983	220	17	26	F	520	450	POE 22	C/V	DWG16	SM23	NT2178GK
NT2178GK	17.40	3/4	220V 50Hz 1~	CSIR	805	1.21	422	0.91	55			389	519	669	842	1035	220	16.4	25	F	520	450	POE 22	C/V	DWG16	SM19	NT2178GK

NOTE: performance curves are calculated from Ashrae actual curves.

R-404A / R-507

LBP 50Hz

R-134a R-404a / R-507 R-290 R-600a
LBP MBP M/HBP HBP
50Hz 60Hz

MODEL	DISPLACEMENT cm3	HP	VOLTAGE FREQUENCY	MOTOR TYPE	RATED POINT - ASHRAE		RATED POINT - EN12900		CONDENSING TEMPERATURE °C	COOLING CAPACITY EN12900							MAX HEIGHT mm	WEIGHT kg	LRA A	COOLING TYPE	FAN AIR FLOW (M3/H)	OIL		EXP DEVICE	DRAWINGS		MODEL
					-23,3 °C / 54,4 °C		-35 °C / 40 °C			EVAPORATING TEMPERATURE °C NO SUBCOOLING W												CHARGE cm3	TYPE		EXTERNAL VIEW REF.	WIRING DIAGRAM REF.	
					COOLING W	EFFICIENCY W/W	COOLING W	EFFICIENCY W/W		-40	-35	-30	-25	-20	-15	-10											
NT2178GK	17.40	3/4	220V 50Hz 1~	CSR	836	1.36	434	1.01	55			397	530	685	863	1065	220	16.4	25	F	520	450	POE 22	C/V	DWG16	SM23	NT2178GK
NT2178GK	17.40	3/4	220-240V 50Hz 1~	CSIR	782	1.3	416	0.98	45	282	383	514	676	869	1095	1352	220	17	25	F	520	450	POE 22	C/V	DWG16	SM19	NT2178GK
NT2178GK	17.40	3/4	220-240V 50Hz 1~	CSR	802	1.42	420	0.91	55			385	513	663	835	1030	220	17	25	F	520	450	POE 22	C/V	DWG16	SM23	NT2178GK
NT2178GK	17.40	3/4	100V 50/60Hz 1~	CSR	812	1.3	425	0.98	55			392	520	674	854	1063	220	17	25	F	520	450	POE 22	C/V	DWG16	SM23	NT2178GK
NT2180GK	20.44	1	220-240V 50Hz 1~	CSIR	935	1.25	490	0.95	55			461	601	767	958	1176	234	17.4	35	F	520	450	POE 22	C/V	DWG16	SM19	NT2180GK
NT2180GK	20.44	1	220-240V 50Hz 1~	CSR	935	1.36	530	1.05	45	323	453	604	778	977	1203	1458	234	17.4	35	F	520	450	POE 22	C/V	DWG16	SM23	NT2180GK
NT2180GK	20.44	1	220V 50Hz 1~	CSR	982	1.34	536	1.07	55			471	631	814	1021	1251	220	18	26.5	F	520	450	POE 22	C/V	DWG16	SM23	NT2180GK
NT2192GK	22.40	1	220-240V 50Hz 1~	CSIR	1053	1.3	551	1.03	55			518	675	860	1074	1321	234	17.5	35	F	520	450	POE 22	C/V	DWG16	SM19	NT2192GK
NT2192GK	22.40	1/4	220-240V 50Hz 1~	CSR	1089	1.47	568	1.06	45	373	506	669	865	1100	1375	1693	234	17.5	35	F	520	450	POE 22	C/V	DWG16	SM23	NT2192GK
NT2210GK	26.2	1/4	220-240V 50Hz 1~	CSR	1306	1.4	685	1.06	55			639	838	1070	1332	1627	234	17.9	33	F	520	450	POE 22	C/V	DWG17	SM26	NT2210GK
NT2212GK	27.8	1/4	220-240V 50Hz 1~	CSR	1373	1.37	719	1.07	45	428	598	807	1056	1344	1671	2038	250	18.3	33	F	520	650	POE 22	C/V	DWG17	SM26	NT2212GK
NT2168GS	14.5	3/4	200V 50-60Hz 3~	3PHASE	652	1.32	341	1.03	55			312	418	546	696	869	250	18.3	28	F	520	650	POE 22	C/V	DWG17	SM27	NT2168GS
NT2192GS	22.4	1	200V 50-60Hz 3~	3PHASE	1049	1.35	549	1.07	45	214	300	410	544	704	890	1107	250	18.3	28	F	520	650	POE 22	C/V	DWG17	SM27	NT2192GS
NT2212GS	27.8	1/4	200V 50-60Hz 3~	3PHASE	1317	1.33	690	1.04	55			649	847	1085	1361	1682	250	18.3	36	F	520	650	POE 22	C/V	DWG17	SM27	NT2212GS
NJ2192GK	26.11	1/4	220-240V 50Hz 1~	CSR	1126	1.32	585	0.97	45	471	632	835	1082	1378	1727	2132	265	20.4	26	F	520	750	POE 22	C/V	DWG14	SM16	NJ2192GK
NJ2192GS	26.11	1/4	380-420V 50Hz / 440-480V 60Hz 3~	3PHASE	1128	1.23	591	0.85	55			530	722	938	1179	1444	265	19.7	15	F	520	750	POE 22	C/V	DWG14	SM18	NJ2192GS
NJ2212GK	34.37	1/2	220-240V 50Hz 1~	CSR	1546	1.33	809	1.06	45	320	516	730	968	1235	1533	1868	277	21.5	36.0	F	520	750	POE 22	C/V	DWG14	SM16	NJ2212GK
NJ2212GS	34.37	1/2	380-420V 50Hz / 440-480V 60Hz 3~	3PHASE	1481	1.30	775	0.87	55			727	978	1262	1578	1923	277	20.4	13.0	F	520	750	POE 22	C/V	DWG14	SM18	NJ2212GS

NOTE: performance curves are calculated from Ashrae actual curves.

R-404A / R-507

MBP 50Hz

R-134a R-404a / R-507 R-290 R-600a
 LBP MBP M/HBP HBP
 50Hz 60Hz

MODEL	DISPLACEMENT cm ³	HP	VOLTAGE FREQUENCY	MOTOR TYPE	RATED POINT - ASHRAE		RATED POINT - EN12900		CONDENSING TEMPERATURE °C	COOLING CAPACITY EN12900							MAX HEIGHT mm	WEIGHT kg	LRA A	COOLING TYPE	FAN AIR FLOW (M3/H)	OIL		EXP DEVICE	DRAWINGS		MODEL
					7,2 °C / 54,4 °C		-10°C/45 °C			EVAPORATING TEMPERATURE °C NO SUBCOOLING W												CHARGE cm ³	TYPE		EXTERNAL VIEW REF.	WIRING DIAGRAM REF.	
					COOLING W	EFFICIENCY W/W	COOLING W	EFFICIENCY W/W		-20	-15	-10	-5	-0	5	10											
NT6226GK	22.37	1	220-240V 50Hz 1~	CSR	3355	2.44	1752	1.79	55	1137	1420	1753	2143	2597	3122	3724	234.0	17.5	38.0	F	520	450	POE 22	C/V	DWG17	SM21	NT6226GK
NTU6232GKV	20.44	1	220-240V 50Hz 1~	CSR	3297	2.86	1757	1.99	55	1148	1433	1754	2126	2561	3075	3681	253.0	18.4	37.5	F	520	650	POE 22	C/V	DWG19	SM26	NTU6232GKV
NTU6234GKV	23.74	1/4	220-240V 50Hz 1~	CSR	3851	2.82	2091	2.02	55	1389	1702	2089	2533	3014	3517	4023	253.0	18.4	37.5	F	520	650	POE 22	C/V	DWG19	SM26	NTU6234GKV
NTU6238GKV	26.21	1/2	220-240V 50Hz 1~	CSR	4212	2.74	2288	2.02	55	1523	1854	2282	2794	3376	4016	4700	253.0	18.4	37.5	F	520	650	POE 22	C/V	DWG19	SM26	NTU6238GKV
NTU6240GKV	27.8	1/2	220-240V 50Hz 1~	CSR	4443	2.68	2426	2.01	55	1622	1978	2425	2957	3570	4258	5017	253.0	18.4	37.5	F	520	650	POE 22	C/V	DWG19	SM26	NTU6240GKV
NJ9226GK	21.71	1	230V 50Hz 1~	CSR	3241	2.34	1648	1.70	55	982	1285	1648	2066	2536	3055	3618	265.0	20.7	27.5	F	800	750	POE 22	C/V	DWG14	SM17	NJ9226GK
NJ9232GK	26.11	1/2	220-240V 50Hz 1~	CSR	4030	2.56	1911	1.63	55	1093	1470	1911	2413	2973	3588	4255	277.0	21.6	43.0	F	800	750	POE 22	C/V	DWG14	SM17	NJ9232GK
NJ9238GK	32.67	1/2	230V 50Hz 1~	CSR	4620	2.09	2424	1.59	55	1507	1939	2424	2970	3583	4272	5044	277.0	22.1	43.0	F	800	750	POE 22	C/V	DWG14	SM17	NJ9238GK
NJ9226GS	21.71	1	380-420V 50Hz / 440-480V 60Hz 3~	3PHASE	3248	2.5	1667	1.79	55	989	1301	1667	2086	2560	3087	3668	265.0	19.0	10.0	F	800	750	POE 22	C/V	DWG14	SM18	NJ9226GS
NJ9232GS	26.11	1/2	380-420V 50Hz / 440-480V 60Hz 3~	3PHASE	4030	2.5	1972	1.80	55	1166	1535	1972	2476	3047	3684	4388	277.0	20.4	13.0	F	800	750	POE 22	C/V	DWG14	SM18	NJ9232GS
NJ9238GS	32.67	1/2	380-420V 50Hz / 440-480V 60Hz 3~	3PHASE	4839	2.55	2506	1.90	55	1514	1979	2506	3091	3735	4441	5207	277.0	21.7	22.0	F	800	750	POE 22	C/V	DWG14	SM18	NJ9238GS

NOTE: performance curves are calculated from Ashrae actual curves.

R-404A / R-507

LBP 60Hz

R-134a R-404a / R-507 R-290 R-600a
 LBP MBP M/HBP HBP
 50Hz 60Hz

MODEL	DISPLACEMENT cm ³	HP	VOLTAGE FREQUENCY	MOTOR TYPE	RATED POINT - ASHRAE		RATED POINT - ARI 540		CONDENSING TEMPERATURE °C	COOLING CAPACITY ARI 540							MAX HEIGHT mm	WEIGHT kg	LRA A	COOLING TYPE	FAN AIR FLOW (M3/H)	OIL		EXP DEVICE	DRAWINGS		MODEL
					-23,3 °C / 54,4 °C		-23,3°C/48,9 °C			EVAPORATING TEMPERATURE °C NO SUBCOOLING W												CHARGE cm ³	TYPE		EXTERNAL VIEW REF.	WIRING DIAGRAM REF.	
					COOLING W	EFFICIENCY W/W	COOLING W	EFFICIENCY W/W		-40	-35	-30	-25	-20	-15	-10											
NEK2117GK	4.51	1/4	115V 60Hz 1~	CSIR	287	1.19	211	0.89	54.4	74	92	119	154	195	243	296	187	10.4	28.5	F	520	350	POE 22	C/V	DWG04	SM04	NEK2117GK
NEK2121GK	5.44	1/3	115V 60Hz 1~	CSIR	355	1.24	261	0.92	54.4	92	117	151	197	251	312	379	187	10.4	26.5	F	520	350	POE 22	C/V	DWG04	SM04	NEK2121GK
NEK2125GK	6.20	1/3	115V 60Hz 1~	CSIR	427	1.32	314	0.99	54.4	111	143	183	231	287	350	420	187	10.4	26.5	F	520	350	POE 22	C/V	DWG04	SM04	NEK2125GK
NEK2134GK	8.77	1/2	115V 60Hz 1~	CSIR	571	1.32	420	0.99	54.4	141	179	228	288	359	440	530	200	11.0	37.5	F	520	350	POE 22	C/V	DWG04	SM04	NEK2134GK
NEK2134GK	8.77	1/2	208-230V 60Hz 1~	CSIR	544	1.30	400	0.97	54.4	125	175	236	307	387	476	573	206	11.6	20.0	F	520	350	POE 22	C/V	DWG04	SM04	NEK2134GK
NEK2134GK	8.77	1/2	100V 50/60Hz 1~	CSIR	529	1.24	387	0.93	54.4	164	220	290	375	472	583	707	206	11.5	34	F	520	350	POE 22	C/V	DWG04	SM04	NEK2134GK
NEK2134GK	8.77	1/2	100V 50/60Hz 1~	CSR	533	1.33	391	1.00	54.4	161	224	292	382	482	589	706	206	11.5	34	F	520	350	POE 22	C/V	DWG04	SM04	NEK2134GK
NEK2150GK	12,11	1/2	115V 60Hz 1~	CSIR	717	1.22	527	0.92	54.4	117	163	219	286	362	447	539	206	11.5	34	F	520	350	POE 22	C/V	DWG04	SM04	NEK2150GK
									45	171	222	291	369	469	582	697											
									54.4	169	226	298	385	486	599	725											
									45	231	300	389	496	622	766	927											

NOTE: performance curves are calculated from Ashrae actual curves.

R-404A / R-507

LBP 60Hz

R-134a R-404a / R-507 R-290 R-600a
LBP MBP M/HBP HBP
50Hz 60Hz

MODEL	DISPLACEMENT cm ³	HP	VOLTAGE FREQUENCY	MOTOR TYPE	RATED POINT - ASHRAE		RATED POINT ARI 540		CONDENSING TEMPERATURE °C	EVAPORATING TEMPERATURE °C NO SUBCOOLING W							MAX HEIGHT mm	WEIGHT kg	LRA A	COOLING TYPE	FAN AIR FLOW (M ³ /H)	OIL		EXP DEVICE	DRAWINGS		MODEL
					-23,3 °C / 54,4 °C		-23,3°C/48,9 °C															CHARGE cm ³	TYPE		EXTERNAL VIEW REF.	WIRING DIAGRAM REF.	
					COOLING W	EFFICIENCY W/W	COOLING W	EFFICIENCY W/W		-40	-35	-30	-25	-20	-15	-10											
NEK2150GK	12.11	1/2	115V 60Hz 1~	CSR	731	1.34	536	1.01	54.4	181	245	325	423	538	669	818	206	11.6	41.5	F	520	350	POE 22	C/V	DWG04	SM06	NEK2150GK
NEK2150GK	12.11	1/2	208-230V 60Hz 1~	CSIR	692	1.18	509	0.89	54.4	171	222	288	371	468	580	706	206	11.6	20.0	F	520	350	POE 22	C/V	DWG04	SM04	NEK2150GK
NEK2150GK	12.11	1/2	100V 50/60Hz 1~	CSR	696	1.31	512	0.98	54.4	154	212	285	372	472	586	711	206	11.6	20.0	F	520	350	POE 22	C/V	DWG04	SM04	NEK2150GK
NEK2168GK	14.3	3/4	115V 60Hz 1~	CSR	833	1.34	577	0.95	54.4	168	242	334	443	569	714	875	206	11.6	46.0	F	520	350	POE 22	C/V	DWG04	SM06	NEK2168GK
NEK2168GK	14.3	3/4	208-230V 60Hz 1~	CSR	816	1.29	584	0.94	54.4	174	249	343	456	589	740	911	206	11.6	27.0	F	520	350	POE 22	C/V	DWG04	SM06	NEK2168GK
NT2168GK(V)	14.50	3/4	115V 60Hz 1~	CSIR	770	1.21	566	0.90	54.4	156	222	307	410	528	660	805	220	17.0	54.5	F	520	450	POE 22	C/V	DWG17	SM22	NT2168GK(V)
NT2168GK(V)	14.50	3/4	115V 60Hz 1~	CSR	830	1.41	610	1.03	54.4	137	226	331	455	599	765	954	220	17.0	54.5	F	520	450	POE 22	C/V	DWG17	SM21	NT2168GK(V)
NT2168GK(V)	14.50	3/4	208-230V 60Hz 1~	CSIR	789	1.27	580	0.94	54.4	141	209	300	420	545	685	838	220	16.7	29.0	F	520	450	POE 22	C/V	DWG16	SM20	NT2168GK(V)
NT2168GK(V)	14.50	3/4	208-230V 60Hz 1~	CSR	838	1.42	616	1.03	54.4	144	212	305	426	572	746	945	220	16.7	29.0	F	520	450	POE 22	C/V	DWG16	SM20	NT2168GK(V)
NT2178GK(V)	17.39	1	115V 60Hz 1~	CSIR	1002	1.21	734	0.92	54.4	202	292	403	535	686	853	1034	220	17.0	66.0	F	520	450	POE 22	C/V	DWG17	SM22	NT2178GK(V)
NT2178GK(V)	17.39	1	115V 60Hz 1~	CSR	1050	1.41	772	1.05	54.4	204	302	422	562	722	901	1098	220	17.0	66.0	F	520	450	POE 22	C/V	DWG17	SM21	NT2178GK(V)
NT2178GK(V)	17.39	1	100V 50/60Hz 1~	CSR	1002	1.38	583	0.82	54.4	199	274	378	510	666	848	1055	220	17.1	66.0	F	520	450	POE 22	C/V	DWG17	SM21	NT2178GK(V)
NT2178GK(V)	17.39	1	208-230V 60Hz 1~	CSIR	1021	1.28	751	0.97	54.4	205	297	410	546	704	881	1077	220	17.0	35.5	F	520	450	POE 22	C/V	DWG16	SM20	NT2178GK(V)
NT2178GK(V)	17.39	1	208-230V 60Hz 1~	CSR	1070	1.35	790	1.03	54.4	206	299	418	563	735	935	1166	220	17.0	35.5	F	520	450	POE 22	C/V	DWG16	SM20	NT2178GK(V)
NT2180GK(V)	20.44	1	115V 60Hz 1~	CSIR	1120	1.18	823	0.88	54.4	185	295	410	530	720	920	1140	220	17.5	66.0	F	520	450	POE 22	C/V	DWG17	SM22	NT2180GK(V)
NT2180GK(V)	20.44	1	115V 60Hz 1~	CSR	1173	1.38	879	1.02	54.4	203	299	418	563	735	935	1166	220	17.5	66.0	F	520	450	POE 22	C/V	DWG17	SM21	NT2180GK(V)
NT2180GK(V)	20.44	1	208-230V 60Hz 1~	CSR	1161	1.32	854	0.99	54.4	199	320	456	610	782	973	1184	234	17.5	40.0	F	520	450	POE 22	C/V	DWG16	SM23	NT2180GK(V)
NT2192GK(V)	22.40	1/4	115V 60Hz 1~	CSIR	1230	1.19	904	0.97	54.4	261	381	515	663	822	993	1173	234	17.5	56.0	F	520	450	POE 22	C/V	DWG17	SM22	NT2192GK(V)
NT2192GK(V)	22.40	1/4	115V 60Hz 1~	CSR	1283	1.41	943	1.02	54.4	322	411	541	710	917	1160	1438	234	17.5	56.0	F	520	450	POE 22	C/V	DWG17	SM21	NT2192GK(V)
NT2192GK(V)	22.37	1	208-230V 60Hz 1~	CSR	1262	1.43	928	1.05	54.4	256	370	507	667	850	1052	1270	220	18.0	40.0	F	520	450	POE 22	C/V	DWG16	SM23	NT2192GK(V)
NT2212GKV	27.80	1/2	115V 60Hz 1~	CSR	1609	1.37	1183	1.00	54.4	282	481	692	922	1179	1471	1805	250	18.3	93.0	F	520	650	POE 22	C/V	DWG17	SM26	NT2212GKV
NT2212GK(V)	27.80	1/2	208-230V 60Hz 1~	CSR	1673	1.42	1230	1.03	54.4	363	524	723	959	1233	1545	1894	250	18.3	45.0	F	520	650	POE 22	C/V	DWG17	SM26	NT2212GK(V)
NT2168GS	14.50	3/4	200V 50/60Hz 3~	3PHASE	786	1.37	578	0.97	54.4	73	164	290	411	557	710	867	250	18.2	28.5	F	520	650	POE 22	C/V	DWG17	SM27	NT2168GS

NOTE: performance curves are calculated from Ashrae actual curves.

R-404A / R-507

LBP 60Hz

R-134a R-404a / R-507 R-290 R-600a
LBP MBP M/HBP HBP
50Hz 60Hz

MODEL	DISPLACEMENT cm ³	HP	VOLTAGE FREQUENCY	MOTOR TYPE	RATED POINT - ASHRAE		RATED POINT - ARI 540		CONDENSING TEMPERATURE °C	COOLING CAPACITY ARI 540							MAX HEIGHT mm	WEIGHT kg	LRA A	COOLING TYPE	FAN AIR FLOW (M3/H)	OIL		EXP DEVICE	DRAWINGS		MODEL
					-23,3 °C / 54,4 °C		-23,3°C/48,9 °C			EVAPORATING TEMPERATURE °C NO SUBCOOLING W												CHARGE cm ³	TYPE		EXTERNAL VIEW REF.	WIRING DIAGRAM REF.	
					COOLING W	EFFICIENCY W/W	COOLING W	EFFICIENCY W/W		-40	-35	-30	-25	-20	-15	-10											
NT2192GS	22.37	1	200V 50/60Hz 3~	3PHASE	1220	1.29	897	0.99	54.4	250	357	492	655	844	1060	1297	250	18.0	28.5	F	520	650	POE 22	C/V	DWG17	SM27	NT2192GS
NT2212GS	27.80	1/4	200V 50/60Hz 3~	3PHASE	1571	1.31	1155	0.98	54.4	314	452	622	822	1049	1304	1583	250	18.0	36.0	F	520	650	POE 22	C/V	DWG17	SM27	NT2212GS
NJ2192GK	26.11	1/4	115V 60Hz / 100V 50Hz 1~	CSR	1316	1.30	968	0.96	54.4	198	311	444	600	783	993	1234	277	21.7	98.0	F	800	750	POE 22	C/V	DWG14	SM16	NJ2192GK
NJ2192GK	26.11	1/4	208-230V 60Hz / 200V 50Hz 1~	CSR	1319	1.30	970	0.96	54.4	83	236	405	589	791	1010	1245	277	21.8	40.0	F	800	750	POE 22	C/V	DWG14	SM16	NJ2192GK
NJ2212GK	34.38	1/2	115V 60Hz / 100V 50Hz 1~	CSR	1595	1.22	1173	0.90	54.4	180	377	594	834	1097	1386	1699	277	21.5	86.5	F	800	750	POE 22	C/V	DWG14	SM16	NJ2212GK
NJ2212GJ	34.38	1/2	208-230V 60Hz / 200V 50Hz 1~	CSR	1609	1.25	1183	0.91	54.4	204	396	613	857	1125	1414	1725	277	21.4	54.0	F	800	750	POE 22	C/V	DWG14	SM16	NJ2212GJ
NJ2192GS	26.11	1/4	380-420V 50Hz / 440-480V 60Hz 3~	3PHASE	1319	1.24	970	0.90	54.4	198	311	444	601	782	993	1232	265	19.7	13.0	F	800	750	POE 22	C/V	DWG14	SM18	NJ2192GS
NJ2212GS	34.38	1/2	380-420V 50Hz / 440-480V 60Hz 3~	3PHASE	1732	1.30	1273	0.96	54.4	166	357	561	783	1030	1306	1616	277	20.4	13.0	F	800	750	POE 22	C/V	DWG14	SM18	NJ2212GS

NOTE: performance curves are calculated from Ashrae actual curves.

R-404A / R-507

MBP 60Hz

R-134a R-404a / R-507 R-290 R-600a
LBP MBP M/HBP HBP
50Hz 60Hz

MODEL	DISPLACEMENT cm ³	HP	VOLTAGE FREQUENCY	MOTOR TYPE	RATED POINT - ASHRAE		RATED POINT - ARI 540		CONDENSING TEMPERATURE °C	COOLING CAPACITY ARI 540							MAX HEIGHT mm	WEIGHT kg	LRA A	COOLING TYPE	FAN AIR FLOW (M3/H)	OIL		EXP DEVICE	DRAWINGS		MODEL
					7,2 °C / 54,4 °C		-6,7°C/48,9 °C			EVAPORATING TEMPERATURE °C NO SUBCOOLING W												CHARGE cm ³	TYPE		EXTERNAL VIEW REF.	WIRING DIAGRAM REF.	
					COOLING W	EFFICIENCY W/W	COOLING W	EFFICIENCY W/W		-20	-15	-10	-5	0	5	10											
NEK6144GK	4.51	1/4	115V 60Hz 1~	CSIR	541	1.36	400	1.28	54.4	183	233	291	358	435	519	613	187.0	10.0	26.0	F	520	350	POE 22	C/V	DWG04	SM04	NEK6144GK
NEK6152GK	5.44	1/3	115V 60Hz 1~	CSIR	650	1.30	481	1.22	54.4	235	293	362	441	530	630	741	187.0	10.2	26.0	F	520	350	POE 22	C/V	DWG04	SM04	NEK6152GK
NEK6165GK	6.20	1/3	115V 60Hz 1~	CSIR	1150	1.97	850	1.91	54.4	318	383	463	558	667	790	928	187.0	10.4	26.5	F	520	350	POE 22	C/V	DWG04	SM04	NEK6165GK
NEK6181GK	7.28	1/3	115V 60Hz 1~	CSIR	1247	2.01	922	1.97	54.4	348	424	511	611	726	856	1006	187.0	10.4	26.5	F	520	350	POE 22	C/V	DWG04	SM04	NEK6181GK
NEK6181GK	7.28	1/3	115V 60Hz 1~	CSR	1321	2.33	977	2.24	54.4	344	415	509	624	756	902	1060	187.0	10.4	26.5	F	520	350	POE 22	C/V	DWG04	SM06	NEK6181GK
NEK6210GK	8.77	1/2	115V 60Hz 1~	CSIR	1569	2.07	1160	2.04	54.4	434	516	621	749	901	1075	1272	200.0	11.0	38.0	F	520	350	POE 22	C/V	DWG04	SM04	NEK6210GK
NEK6210GK	8.77	1/2	115V 60Hz 1~	CSR	1612	2.30	1192	2.23	54.4	397	495	615	757	920	1104	1310	200.0	11.0	38.0	F	520	350	POE 22	C/V	DWG04	SM06	NEK6210GK
NEK6210GK	8.77	1/2	100V 60Hz 1~	CSIR	1583	2.07	1170	2.03	54.4	404	502	618	753	905	1074	1256	206.0	11.0	38.0	F	520	350	POE 22	C/V	DWG04	SM06	NEK6210GK
NEK6213GK	12.11	1/2	115V 60Hz 1~	CSIR	1952	1.70	1444	1.69	54.4	526	653	799	965	1148	1348	1568	206.0	11.6	51.0	F	520	350	POE 22	C/V	DWG04	SM04	NEK6213GK
NEK6213GK	12.11	1/2	115V 60Hz 1~	CSR	2066	1.96	1528	1.92	54.4	543	667	819	994	1196	1221	1671	206.0	11.6	51.0	F	520	350	POE 22	C/V	DWG04	SM06	NEK6213GK
NEK6144GK	4.51	1/4	208-230V 60Hz 1~	CSIR	800	2.06	592	2.00	54.4	207	257	316	384	464	555	661	187.0	10.4	26.5	F	520	350	POE 22	C/V	DWG04	SM04	NEK6144GK

NOTE: performance curves are calculated from Ashrae actual curves.

R-404A / R-507

MBP 60Hz

R-134a **R-404a / R-507** R-290 R-600a
LBP **MBP** M/HBP HBP
50Hz **60Hz**

MODEL	DISPLACEMENT cm ³	HP	VOLTAGE FREQUENCY	MOTOR TYPE	RATED POINT - ASHRAE		RATED POINT - ARI 540		CONDENSING TEMPERATURE °C	COOLING CAPACITY ARI 540							MAX HEIGHT mm	WEIGHT kg	LRA A	COOLING TYPE	FAN AIR FLOW (M ³ /H)	OIL		EXP DEVICE	DRAWINGS		MODEL
					7,2 °C / 54,4 °C		-6,7°C/48,9 °C			EVAPORATING TEMPERATURE °C NO SUBCOOLING W												CHARGE cm ³	TYPE		EXTERNAL VIEW REF.	WIRING DIAGRAM REF.	
					COOLING W	EFFICIENCY W/W	COOLING W	EFFICIENCY W/W		-20	-15	-10	-5	0	5	10											
NEK6181GK	7.28	1/3	208-230V 60Hz 1~	CSIR	1290	2.07	954	2.04	54.4	375	426	506	612	740	886	1048	187.0	10.4	17.5	F	520	350	POE 22	C/V	DWG04	SM04	NEK6181GK
NEK6210GK	8.77	1/2	208-230V 60Hz 1~	CSIR	1540	2.10	1139	2.05	54.4	395	486	597	728	878	1048	1239	206.0	11.5	23.0	F	520	350	POE 22	C/V	DWG04	SM04	NEK6210GK
NEK6213GK	12.11	1/2	208-230V 60Hz 1~	CSIR	2035	1.84	1505	1.86	54.4	531	662	815	987	1180	1390	1621	206.0	11.9	30.0	F	520	350	POE 22	C/V	DWG04	SM04	NEK6213GK
NT6217GK(V)	12.60	3/4	115V 60Hz 1~	CSIR	2163	2.20	1030	1.26	54.4	499	622	773	949	1153	1384	1641	220.0	17.0	50.0	F	520	450	POE 22	C/V	DWG16	SM20	NT6217GK(V)
NT6217GK(V)	12.60	3/4	115V 60Hz 1~	CSR	2251	2.68	1072	1.54	54.4	478	602	774	992	1256	1567	1924	220.0	16.7	50.0	F	520	450	POE 22	C/V	DWG16	SM23	NT6217GK(V)
NT6217GK(V)	12.60	3/4	208-230V 60Hz 1~	CSIR	2148	2.13	1070	1.25	54.4	507	639	791	965	1161	1378	1616	220.0	17.0	27.0	F	520	450	POE 22	C/V	DWG16	SM20	NT6217GK(V)
NT6217GK(V)	12.60	3/4	208-230V 60Hz 1~	CSR	2238	2.60	1115	1.53	54.4	531	676	846	1041	1260	1503	1769	220.0	16.7	27.0	F	520	450	POE 22	C/V	DWG16	SM23	NT6217GK(V)
NT6220GKV	14.50	3/4	115V 60Hz 1~	CSIR	2480	2.14	1240	1.39	54.4	576	744	943	1170	1423	1698	1997	220.0	17.0	54.5	F	520	450	POE 22	C/V	DWG17	SM22	NT6220GKV
NT6220GKV	14.50	3/4	115V 60Hz 1~	CSR	1689	1.60	1250	1.52	54.4	556	724	918	1138	1383	1653	1949	220.0	16.7	54.5	F	520	450	POE 22	C/V	DWG17	SM21	NT6220GKV
NT6220GKV	14.50	3/4	208-230V 60Hz 1~	CSIR	2423	2.00	1247	1.38	54.4	610	771	955	1165	1400	1663	1957	220.0	16.9	26.5	F	520	450	POE 22	C/V	DWG16	SM20	NT6220GKV
NT6220GKV	14.50	3/4	208-230V 60Hz 1~	CSR	1734	1.77	1283	1.57	54.4	575	733	936	1186	1482	1825	2214	220.0	16.9	26.5	F	520	450	POE 22	C/V	DWG16	SM23	NT6220GKV
NT6222GK(V)	17.40	1	115V 60Hz 1~	CSIR	3040	2.13	1565	1.34	54.4	772	962	1190	1455	1755	2090	2461	220.0	17.0	70.0	F	520	450	POE 22	C/V	DWG17	SM22	NT6222GK(V)
NT6222GK(V)	17.40	1	115V 60Hz 1~	CSR	3040	2.39	1569	1.58	54.4	792	1017	1276	1570	1899	2263	2661	220.0	17.0	70.0	F	520	450	POE 22	C/V	DWG17	SM21	NT6222GK(V)
NT6222GK(V)	17.40	1	208-230V 60Hz 1~	CSIR	2928	1.88	1475	1.14	54.4	752	940	1166	1425	1708	2012	2331	220.0	17.2	33.7	F	520	450	POE 22	C/V	DWG16	SM20	NT6222GK(V)
NT6222GK(V)	17.40	1	208-230V 60Hz 1~	CSR	3051	2.30	1537	1.40	54.4	744	945	1185	1459	1766	2100	2459	220.0	17.2	33.7	F	520	450	POE 22	C/V	DWG16	SM23	NT6222GK(V)
NT6224GKV	20.44	1	115V 60Hz 1~	CSR	3612	2.30	1859	1.55	54.4	893	1125	1399	1714	2068	2460	2893	234.0	16.9	77.0	F	520	450	POE 22	C/V	DWG16	SM23	NT6224GKV
NT6224GKV	20.44	1	208-230V 60Hz 1~	CSR	3512	2.25	1808	1.55	54.4	890	1126	1392	1690	2023	2392	2804	220.0	16.8	36.0	F	520	450	POE 22	C/V	DWG16	SM23	NT6224GKV
NT6226GK(V)	22.40	1	115V 60Hz 1~	CSR	3884	2.12	1942	1.41	54.4	970	1187	1468	1811	2218	2688	3221	234.0	17.5	77.0	F	520	450	POE 22	C/V	DWG17	SM26	NT6226GK(V)
NT6226GK(V)	22.40	1	208-230V 60Hz 1~	CSR	3689	1.77	1985	1.35	54.4	952	1203	1493	1822	2189	2595	3039	234.0	17.5	43.0	F	520	450	POE 22	C/V	DWG17	SM22	NT6226GK(V)
NT6226GK(V)	22.40	1	208-230V 60Hz 1~	CSIR	3466	1.55	1865	1.19	54.4	932	1165	1438	1752	2107	2503	2939	234.0	18.0	43.0	F	520	450	POE 22	C/V	DWG17	SM21	NT6226GK(V)
NTU6232GKV	20.44	1	115V 60Hz 1~	CSR	4060	2.77	2090	1.76	54.4	768	1017	1298	1612	1959	2339	2751	250.0	18.1	93.0	F	520	650	POE 22	C/V	DWG19	SM26	NTU6232GKV
NTU6232GKV	20.44	1	208-230V 60Hz 1~	CSR	4032	2.84	2101	1.73	54.4	921	1225	1561	1907	2278	2670	3090	250.0	18.1	46.0	F	520	650	POE 22	C/V	DWG19	SM26	NTU6232GKV
NTU6234GKV	23.74	1 1/4	115V 60Hz 1~	CSR	4635	2.71	2419	1.76	54.4	1127	1428	1772	2165	2613	3122	3698	250.0	18.4	81.0	F	520	650	POE 22	C/V	DWG19	SM26	NTU6234GKV

NOTE: performance curves are calculated from Ashrae actual curves.

R-404A / R-507

MBP 60Hz

R-134a **R-404a / R-507** R-290 R-600a
LBP **MBP** M/HBP HBP
50Hz **60Hz**

MODEL	DISPLACEMENT cm ³	HP	VOLTAGE FREQUENCY	MOTOR TYPE	RATED POINT - ASHRAE		RATED POINT - ARI 540		CONDENSING TEMPERATURE °C	COOLING CAPACITY ARI 540							MAX HEIGHT mm	WEIGHT kg	LRA A	COOLING TYPE	FAN AIR FLOW (M3/H)	OIL		EXP DEVICE	DRAWINGS		MODEL
					7,2 °C / 54,4 °C		-6,7°C/48,9 °C			EVAPORATING TEMPERATURE °C NO SUBCOOLING W												CHARGE cm ³	TYPE		EXTERNAL VIEW REF.	WIRING DIAGRAM REF.	
					COOLING W	EFFICIENCY W/W	COOLING W	EFFICIENCY W/W		-20	-15	-10	-5	0	5	10											
NTU6234GKV	23.74	1/4	208-230V 60Hz 1~	CSR	4688	2.77	2477	1.73	54.4	1463	1830	2237	2685	3175	3705	4290	250.0	18.1	46.0	F	520	650	POE 22	C/V	DWG19	SM26	NTU6234GKV
									45	1945	2400	2905	3459	4065	4720	5420											
NTU6238GKV	26.21	1/2	208-230V 60Hz 1~	CSR	5154	2.70	2748	1.74	54.4	1242	1603	1976	2408	2948	3510	4140	250.0	18.3	51.0	F	520	650	POE 22	C/V	DWG19	SM26	NTU6238GKV
									45	1726	2167	2626	3150	3788	4450	5195											
NTU6240GKV	27.80	1/2	208-230V 60Hz 1~	CSR	5368	2.60	2860	1.71	54.4	1330	1704	2065	2485	3035	3590	4210	250.0	18.3	51.0	F	520	650	POE 22	C/V	DWG19	SM26	NTU6240GKV
									45	1783	2237	2699	3240	3933	4650	5450											
NTU6232GSV	20.44	1	200-230V 60Hz 3~	3PHASE	3966	2.77	2035	1.76	54.4	925	1200	1504	1846	2231	2645	3100	250.0	18.4	36.0	F	520	650	POE 22	C/V	DWG19	SM27	NTU6232GSV
									45	1264	1595	1966	2387	2863	3407	3950											
NTU6234GSV	23.74	1/4	200-230V 60Hz 3~	3PHASE	4524	2.68	2378	1.77	54.4	1103	1416	1766	2156	2588	3060	3570	250.0	18.3	36.0	F	520	650	POE 22	C/V	DWG19	SM27	NTU6234GSV
									45	1492	1875	2306	2789	3326	3910	4530											
NTU6238GSV	26.21	1/2	200-230V 60Hz 3~	3PHASE	4952	2.56	2635	1.73	54.4	1256	1598	1978	2395	2846	3340	3880	250.0	18.3	36.0	F	520	650	POE 22	C/V	DWG19	SM27	NTU6238GSV
									45	1671	2092	2561	3078	3640	4250	4905											
NTU6240GSV	27.80	1/2	200-230V 60Hz 3~	3PHASE	5292	2.54	2779	1.69	54.4	1326	1683	2079	2519	3009	3540	4110	250.0	18.3	40.0	F	520	650	POE 22	C/V	DWG19	SM27	NTU6240GSV
									45	1763	2202	2694	3246	3861	4530	5250											
NJ9226GK	21.70	1	208-230V 60Hz 1~	CSR	3708	2.20	2742	2.19	54.4	784	1052	1364	1718	2110	2542	3013	265.0	20.7	34.0	F	820	750	POE 22	C/V	DWG14	SM17	NJ9226GK
									45	1088	1391	1754	2176	2655	3189	3780											
NJ9232GK	26.11	1/4	208-230V 60Hz 1~	CSR	4704	2.40	3479	2.36	54.4	992	1313	1695	2137	2636	3190	3802	277.0	21.5	40.0	F	820	750	POE 22	C/V	DWG14	SM17	NJ9232GK
									45	1293	1672	2131	2669	3284	3971	4737											
NJ9238GK	32.67	1/2	230V 60Hz / 200V 50Hz 1~	CSR	5184	2.04	3834	2.04	54.4	1205	1602	2036	2505	3006	3536	4102	277.0	22.1	59.0	F	820	750	POE 22	C/V	DWG14	SM17	NJ9238GK
									45	1601	2053	2564	3133	3757	4434	5169											
NJ9226GS	21.70	1	380-420V 50Hz / 440-480V 60Hz 3~	3PHASE	3801	2.50	2811	2.38	54.4	728	960	1236	1554	1911	2307	2743	265.0	19	10.0	F	820	750	POE 22	C/V	DWG14	SM18	NJ9226GS
									45	947	1223	1556	1942	2382	2873	3419											
NJ9232GS	26.11	1/4	380-420V 50Hz / 440-480V 60Hz 3~	3PHASE	4716	2.50	3488	2.47	54.4	856	1133	1464	1845	2276	2754	3282	277.0	20.4	13.0	F	820	750	POE 22	C/V	DWG14	SM18	NJ9232GS
									45	1116	1444	1840	2305	2835	3429	4090											
NJ9238GS	32.70	1/2	380-420V 50Hz / 440-480V 60Hz 3~	3PHASE	5661	2.55	4186	2.51	54.4	1301	1681	2131	2649	3233	3880	4595	277.0	21.7	22.0	F	820	750	POE 22	C/V	DWG14	SM18	NJ9238GS
									45	1695	2178	2735	3365	4067	4836	5679											

NOTE: performance curves are calculated from Ashrae actual curves.

R-290

LBP 50Hz

R-134a R-404a / R-507 **R-290** R-600a
LBP MBP M/HBP HBP
50Hz 60Hz

MODEL	DISPLACEMENT cm ³	HP	VOLTAGE FREQUENCY	MOTOR TYPE	RATED POINT - ASHRAE		RATED POINT - EN12900		CONDENSING TEMPERATURE °C	EVAPORATING TEMPERATURE °C NO SUBCOOLING W							MAX HEIGHT mm	WEIGHT kg	LRA A	COOLING TYPE	FAN AIR FLOW (M ³ /H)	OIL		EXP DEVICE	DRAWINGS		MODEL	
					-23,3 °C / 54,4 °C		-35°C/40 °C			-40	-35	-30	-25	-20	-15	-10						CHARGE cm ³	TYPE		EXTERNAL VIEW REF.	WIRING DIAGRAM REF.		
					COOLING W	EFFICIENCY W/W	COOLING W	EFFICIENCY W/W																				
EMT2117U	3.97	1/5	220-240V 50Hz 1~	CSIR	184	1.37	123	1.13	55 45			120	155	195	242	296	166	7.8	7.7	S		180	POE 22	C	DWG01	SM05	EMT2117U	
EMT2121U	5.57	1/4	220-240V 50Hz 1~	CSIR	265	1.46	159	1.23	55 45	84	112	145	184	230	283	345	166	7.8	7.7	S		180	POE 22	C	DWG01	SM05	EMT2121U	
EMT1121U	5.57	1/4	220-240V 50Hz 1~	RSCR	270	1.55	159	1.24	55 45			156	200	252	311	379	166	7.8	7.7	S		180	POE 22	C	DWG01	SM00	EMT1121U	
EMT2125U	5.96	1/3	220-240V 50Hz 1~	CSIR	301	1.47	177	1.20	55 45			176	225	282	348	422	166	7.8	9.8	F	520	180	POE 22	C/V	DWG01	SM05	EMT2125U	
EMT1125U	5.96	1/3	220-240V 50Hz 1~	RSCR	301	1.53	177	1.24	55 45			176	225	282	348	422	166	7.8	9.8	S		180	POE 22	C	DWG01	SM00	EMT1125U	
EMT2130U	6.76	1/3	220-240V 50Hz 1~	CSIR	340	1.42	196	1.12	55 45			196	251	315	389	472	166	8	12.4	F	520	180	POE 22	C/V	DWG01	SM05	EMT2130U	
EMT1117U	4.5	1/5	220-240V / 50Hz 1~	RSCR	208	1.47	123	1.18	55 45			120	155	195	242	296	166	7.8	7.1	S		180	POE 22	C	DWG01	SM01	EMT1117U	
EMT1130U	6.76	1/3	220-240V / 50Hz 1~	RSCR	340	1.51	198	1.2	55 45			196	252	315	390	472	171	8	12.4	F	520	180	POE 22	C	DWG01	SM01	EMT1130U	
EMT2134U			220-240V / 50Hz 1~		449	1.36	UD.	UD.	55 45	UD,	UD,	UD,	UD,	UD,	UD,	UD,	UD,	UD,	UD,	UD,	UD,	UD,	UD,	UD,	UD,	UD,	UD,	EMT2134U
NEK2121U	6.2	1/4	220-240V 50Hz 1~	CSIR	247	1.19	141	0.85	55 45			136	183	238	302	376	187	10.4	12.4	F	520	350	POE 22	C/V	DWG03	SM05	NEK2121U	
NEK1121U	6.2	1/4	220-240V 50Hz 1~	RSIR	275	1.32	161	1.05	55 45			163	208	261	323	393	187	10.4	15.5	S		350	POE 22	C	DWG03	SM03	NEK1121U	
NEK2125U	7.28	1/3	220-240V 50Hz 1~	CSIR	317	1.31	199	1.11	55 45			187	237	299	374	462	187	10.4	12.4	F	520	350	POE 22	C/V	DWG03	SM05	NEK2125U	
NEK2134U	10.00	1/2	220-240V 50Hz 1~	CSIR	449	1.36	271	1.21	55 45			269	338	423	523	639	200	11.0	13.1	F	520	350	POE 22	C/V	DWG03	SM05	NEK2134U	
NEK2150U	13.54	1/2	220-240V 50Hz 1~	CSIR	582	1.31	334	1.06	55 45			339	435	550	683	835	206	11.6	19.5	F	520	350	POE 22	C/V	DWG03	SM05	NEK2150U	
NEK1150U	13.54	1/2	220-240V 50Hz 1~	RSIR	571	1.22	333	0.99	55 45			337	429	538	661	801	206	11.6	24.3	F	520	350	POE 22	C	DWG03	SM03	NEK1150U	
NEK2160U	16.8	3/4	220-240V 50Hz 1~	CSR	729	1.44	427	1.20	55 45			428	547	688	848	1030	206	11.9	21	F	520	350	POE 22	C/V	DWG04	SM03	NEK2160U	
NT2160U	17.4	3/4	220-240V 50Hz 1~	CSIR	703	1.36	400	1.10	55 45			378	497	638	799	979	220	18	21	F	520	450	POE 22	C/V	DWG16	SM19	NT2160U	
NT2160U	17.4	3/4	220-240V 50Hz 1~	CSR	703	1.44	407	1.18	55 45			381	501	644	811	1000	220	18	21	F	520	450	POE 22	C/V	DWG16	SM23	NT2160U	
NT2170U	20.44	3/4	220-240V 50Hz 1~	CSIR	816	1.31	488	1.13	55 45			470	608	770	955	1162	220	18	25	F	520	450	POE 22	C/V	DWG16	SM19	NT2170U	
NT2170U	20.44	3/4	220-240V 50Hz 1~	CSR	831	1.44	486	1.19	55 45			476	620	788	981	1196	220	18	25	F	520	450	POE 22	C/V	DWG16	SM23	NT2170U	
NT2180U	22.4	1	220-240V 50Hz 1~	CSIR	931	1.34	550	1.12	55 45			536	693	874	1077	1302	234	18.2	35	F	520	450	POE 22	C/V	DWG16	SM19	NT2180U	
NT2180U	22.4	1	220-240V 50Hz 1~	CSR	935	1.46	563	1.23	55 45			536	697	886	1101	1344	234	18.2	35	F	520	450	POE 22	C/V	DWG16	SM23	NT2180U	
NT2210U	27.8	1 1/4	220-240V 50Hz 1~	CSR	1186	1.41	689	1.17	55 45			677	875	1108	1374	1675	234	18.5	33	F	520	450	POE 22	C/V	DWG17	SM26	NT2210U	

NOTE: performance curves are calculated from Ashrae actual curves.

R-290 MBP 50Hz

R-134a R-404a / R-507 **R-290** R-600a
LBP **MBP** M/HBP HBP
50Hz 60Hz

MODEL	DISPLACEMENT cm ³	HP	VOLTAGE FREQUENCY	MOTOR TYPE	RATED POINT - ASHRAE		RATED POINT - EN12900		CONDENSING TEMPERATURE °C	COOLING CAPACITY EN12900							MAX HEIGHT mm	WEIGHT kg	LRA A	COOLING TYPE	FAN AIR FLOW (M ³ /H)	OIL		EXP DEVICE	DRAWINGS		MODEL
					7,2 °C / 54,4 °C		-10 °C / 45 °C			EVAPORATING TEMPERATURE °C NO SUBCOOLING W												CHARGE cm ³	TYPE		EXTERNAL VIEW REF.	WIRING DIAGRAM REF.	
					COOLING W	EFFICIENCY W/W	COOLING W	EFFICIENCY W/W		-20	-15	-10	-5	0	5	10											
EMT6144U	4.5	1/5	220-240V 50Hz 1~	CSIR	616	2.62	343	2.00	55			293	354	423	508	608	166	7.8	7.7	S		180	POE 22	C/V	DWG01	SM05	EMT6144U
									45	227	282	343	413	497	593	708											
EMT6152U	5.2	1/4	220-240V 50Hz 1~	CSIR	742	2.68	418	2.05	55			362	432	514	612	729	166	7.8	8.5	F	520	180	POE 22	C/V	DWG01	SM05	EMT6152U
									45	279	346	419	500	596	709	844											
EMT6165U	5.96	1/4	220-240V 50Hz 1~	CSIR	840	2.57	485	1.96	55			415	495	590	700	833	166	7.8	10.4	F	520	180	POE 22	C/V	DWG01	SM05	EMT6165U
									45	321	396	478	571	681	810	964											
EMT6181U			220-240V / 50Hz 1~		949	2.46	UD.	UD.	UD.	UD.	UD.	UD.	UD.	UD.	UD.	UD.	UD.	UD.	UD.	UD.	UD.	UD.	UD.	UD.	UD.	UD.	EMT6181U
NEK6152U	5.45	1/4	220-240V 50Hz 1~	CSIR	730	2.55	402	1.84	55			348	424	511	607	714	187	10.4	9.6	F	520	350	POE 22	C/V	DWG03	SM05	NEK6152U
									45	286	331	402	487	588	704	833											
NEK6165U	6.2	1/4	220-240V 50Hz 1~	CSIR	839	2.44	464	1.75	55			398	484	583	696	822	187	10.4	12	F	520	350	POE 22	C/V	DWG03	SM05	NEK6165U
									45	315	381	464	561	675	803	947											
NEK6181U	7.28	1/3	220-240V 50Hz 1~	CSIR	949	2.46	523	1.78	55			447	548	664	793	930	187	10.4	12	F	520	350	POE 22	C/V	DWG03	SM05	NEK6181U
									45	367	432	523	637	770	919	1080											
NEK6210U	8.78	1/3	220-240V 50Hz 1~	CSIR	1169	2.55	640	1.88	55			549	670	811	969	1145	200	11	16.1	F	520	350	POE 22	C/V	DWG03	SM05	NEK6210U
									45	434	526	640	776	936	1118	1322											
NEK6213U	12.12	1/2	220-240V 50Hz 1~	CSIR	1586	2.29	883	1.68	55			763	927	1112	1317	1540	206	11.6	19.3	F	520	350	POE 22	C/V	DWG03	SM05	NEK6213U
									45	594	723	882	1069	1281	1516	1772											
NEK6217U	14.3	1/2	220-240V 50Hz 1~	CSIR	1820	2.21	1018	1.73	55			875	1060	1271	1508	1771	206	11.6	24	F	520	350	POE 22	C/V	DWG03	SM05	NEK6217U
									45	681	833	1018	1233	1481	1759	2068											
NEK6217U	14.3	3/4	220-240V 50Hz 1~	CSR	1885	2.54	1051	1.94	55			893	1085	1306	1556	1834	206	11.6	24	F	520	350	POE 22	C/V	DWG03	SM06	NEK6217U
									45	702	861	1051	1273	1526	1810	2124											
NT6217U	14.5	1/2	220-240V 50Hz 1~	CSIR	1786	2.58	952	1.87	55			792	987	1215	1473	1764	220	16.9	25	F	520	450	POE 22	C/V	DWG16	SM19	NT6217U
									45	506	756	952	1183	1449	1752	2089											
NT6220U	17.4	3/4	220-240V 50Hz 1~	CSIR	2202	2.45	1193	1.76	55			995	1236	1506	1803	2129	220	17	30	F	520	450	POE 22	C/V	DWG16	SM19	NT6220U
									45	757	954	1193	1472	1791	2150	2549											
NT6220U	17.4	3/4	220-240V 50Hz 1~	CSR	2250	2.79	1167	1.88	55			976	1215	1492	1806	2158	220	17	30	F	520	450	POE 22	C/V	DWG16	SM23	NT6220U
									45	742	934	1167	1443	1761	2121	2524											
NT6222U	20.44	3/4	220-240V 50Hz 1~	CSIR	2537	2.37	1372	1.74	55			1118	1400	1726	2097	2505	220	17	30	F	520	450	POE 22	C/V	DWG16	SM19	NT6222U
									45	865	1095	1372	1695	2060	2465	2907											
NT6222U	20.44	1	220-240V 50Hz 1~	CSR	2635	2.77	1412	1.92	55			1177	1471	1803	2174	2581	220	17	30	F	520	450	POE 22	C/V	DWG16	SM23	NT6222U
									45	897	1132	1412	1735	2104	2513	2965											
NT6224U	22.4	1	220-240V 50Hz 1~	CSR	2843	2.73	1558	2.11	55			1274	1583	1938	2336	2773	220	17.2	26	F	520	450	POE 22	C/V	DWG16	SM23	NT6224U
									45	966	1239	1557	1920	2321	2761	3232											

NOTE: performance curves are calculated from Ashrae actual curves.

R-290

LBP 60Hz

R-134a R-404a / R-507 **R-290** R-600a

LBP MBP M/HBP HBP

50Hz 60Hz

MODEL	DISPLACEMENT cm ³	HP	VOLTAGE FREQUENCY	MOTOR TYPE	RATED POINT - ASHRAE		RATED POINT - ARI 540		CONDENSING TEMPERATURE °C	COOLING CAPACITY ARI 540							MAX HEIGHT mm	WEIGHT kg	LRA A	COOLING TYPE	FAN AIR FLOW (M ³ /H)	OIL		EXP DEVICE	DRAWINGS		MODEL	
					-23,3 °C / 54,4 °C		-23,3°C/48,9 °C			EVAPORATING TEMPERATURE °C NO SUBCOOLING W												CHARGE cm ³	TYPE		EXTERNAL VIEW REF.	WIRING DIAGRAM REF.		
					COOLING W	EFFICIENCY W/W	COOLING W	EFFICIENCY W/W		-40	-35	-30	-25	-20	-15	-10												
NEK2134U	10	1/2	115V 60Hz 1~	CSIR	538	1,38	415	1,10	54.4	UD								200	10,8	28	F	520	350	POE 22	C/V	DWG04	SM04	NEK2134U
NEK2150U	13,54	1/2	115V 60Hz 1~	CSIR	687	1,25	550	1,02	54.4	204	270	352	451	566	699	848	206	11,3	41,5	F	520	350	POE 22	C/V	DWG04	SM04	NEK2150U	
NEK2150U	13,54	1/2	115V 60Hz 1~	CSR	708	1,38	554	1,11	54.4	208	271	353	455	575	716	875	206	11,3	41,5	F	520	350	POE 22	C/V	DWG04	SM06	NEK2150U	
NT2160UV	17,4	3/4	115V 60Hz 1~	CSR	827	1,42	638	1,1	54.4	228	302	400	521	667	837	1031	220	16,5	54,4	F	520	450	POE 22	C/V	DWG16	SM21	NT2160UV	
NT2160U(V)	17,4	3/4	208-230V 60Hz 1~	CSIR	828	1,34	604	1,00	54.4	242	310	401	515	650	806	982	220	16,8	28	F	520	450	POE 22	C/V	DWG16	SM20	NT2160U(V)	
NT2170U(V)	20,44	1	208-230V 60Hz 1~	CSIR	921	1,30	672	0,98	54.4	267	344	446	573	726	903	1104	220	17	30	F	520	450	POE 22	C/V	DWG16	SM20	NT2170U(V)	
NT2180UV	22,4	1	115V 60Hz 1~	CSR	1047	1,38	832	1,12	54.4	UD							220	16,5	54,5	F	520	450	POE 22	C/V	DWG16	SM21	NT2180UV	
NT2180UV	22,4	1	208-230V 60Hz 1~	CSR	UD				54.4	UD							220			F	520	450	POE22	C/V	DWG16	SM21	NT2180UV	
NT2210UV	27,8	1 1/4	115V 60Hz 1~	CSR	1322	1,39	1060	1,11	54.4	413	527	680	872	1104	1374	1684	234	17,8	67	F	520	450	POE 22	C/V	DWG16	SM26	NT2210UV	
NT2210UV	27,8	1 1/4	208-230V 60Hz 1~	CSR	1281	1,42	1051	1,12	54.4	399	516	671	863	1093	1360	1665	234	17,8	37	F	520	450	POE22	C/V	DWG16	SM26	NT2210UV	

NOTE: performance curves are calculated from Ashrae actual curves.

R-290

MBP 60Hz

R-134a R-404a / R-507 **R-290** R-600a

LBP MBP M/HBP HBP

50Hz 60Hz

MODEL	DISPLACEMENT cm ³	HP	VOLTAGE FREQUENCY	MOTOR TYPE	RATED POINT - ASHRAE		RATED POINT - ARI 540		CONDENSING TEMPERATURE °C	COOLING CAPACITY ARI 540					MAX HEIGHT mm	WEIGHT kg	LRA A	COOLING TYPE	FAN AIR FLOW (M ³ /H)	OIL		EXP DEVICE	DRAWINGS		MODEL		
					7,2 °C / 54,4 °C		-6,7°C/48,9 °C			EVAPORATING TEMPERATURE °C NO SUBCOOLING W										CHARGE cm ³	TYPE		EXTERNAL VIEW REF.	WIRING DIAGRAM REF.			
					COOLING W	EFFICIENCY W/W	COOLING W	EFFICIENCY W/W		-20	-15	-10	-5	0													
NEK6152U	5,44		115V 60Hz 1~	CSIR	UD				54.4								200			F	520	350	POE22	C/V	DWG04	SM04	NEK6152U
NEK6210U	8,77		115V 60Hz 1~	CSIR	UD				54.4								200			F	520	350	POE22	C/V	DWG04	SM04	NEK6210U
NEK6213U	12,12	1/2	115V 60Hz 1~	CSIR	1841	2,13	998	1,48	54.4	506	634	781	949	1137			206	11,4	44	F	520	350	POE 22	C/V	DWG04	SM04	NEK6213U
NT6217UV	14,5		115V 60Hz 1~	CSIR	UD				54.4								220			F	520	450	POE22	C/V			NT6217UV
NT6220UV	17,4		115V 60Hz 1~	CSIR, CSR	UD				54.4								220			F	520	450	POE22	C/V			NT6220UV
NT6222UV	20,44	1/5	115V 60Hz 1~	CSR	3023	2,73	1522	1,78	54.4	690	913	1181	1476	1798			220	16,5	54,5	F	520	450	POE 22	C/V	DWG16	SM21	NT6222UV
NT6224UV	22,4		208-230V 60Hz 1~	CSR	UD				54.4								220		33,7	F	520	450	POE 22	C/V	DWG16	SM21	NT6224UV

NOTE: performance curves are calculated from Ashrae actual curves.

R-600a

LBP 50Hz

R-134a R-404a / R-507 R-290 R-600a
LBP MBP M/HBP HBP
50Hz 60Hz

MODEL	DISPLACEMENT cm ³	HP	VOLTAGE FREQUENCY	MOTOR TYPE	RATED POINT - ASHRAE		RATED POINT - CECOMAF		CONDENSING TEMPERATURE °C	COOLING CAPACITY CECOMAF						MAX HEIGHT mm	WEIGHT kg	LRA A	COOLING TYPE	FAN AIR FLOW (M ³ /H)	OIL		EXP DEVICE	DRAWINGS		MODEL
					-23,3 °C / 54,4 °C		-25°C/55 °C			EVAPORATING TEMPERATURE °C NO SUBCOOLING W											CHARGE cm ³	TYPE		EXTERNAL VIEW REF.	WIRING DIAGRAM REF.	
					COOLING W	EFFICIENCY W/W	COOLING W	EFFICIENCY W/W		-15	-10	-5	0	5	10											
EMY20CLC	3.97	1/12	220-240V / 50Hz 1~	RSIR	61	1.4	45	1.1	55	34	45	60	77	98	121	166	7.4	2.35	S		180	AB 5	C	DWG01	SM00	EMY20CLC
									45	40	54	71	92	116	144											
EMT26CLP	5.2	1/12	220-240V / 50Hz 1~	RSIR	83	1.25	62	0.98	55	44	62	82	104	132	168	158	7.1	2.8	S		180	AB 5	C	DWG01	SM00	EMT26CLP
									45	54	73	95	120	151	190											
EMY26CLC	5.2	1/12	220-240V / 50Hz 1~	RSIR	83	1.5	61	1.18	55	45	61	81	105	133	165	166	7.4	2.8	S		180	AB 5	C	DWG01	SM00	EMY26CLC
									45	55	73	95	121	152	187											
EMT32CLP	5.96	1/10	220-240V / 50Hz 1~	RSIR	97	1.27	71	1	55	53	71	95	122	154	190	158	7.1	3.6	S		180	AB 5	C	DWG01	SM00	EMT32CLP
									45	64	85	112	143	178	220											
EMY32CLC	5.96	1/10	220-240V / 50Hz 1~	RSIR	97	1.51	72	1.19	55	53	72	94	120	151	189	166	7.4	3.6	S		180	AB 5	C	DWG01	SM00	EMY32CLC
									45	64	86	111	141	176	218											
EMT40CLP	7.23	1/8	220-240V / 50Hz 1~	RSIR	119	1.28	91	1.01	55	69	91	118	151	189	234	158	7.4	4.3	S		180	AB 5	C	DWG01	SM00	EMT40CLP
									45	83	109	139	176	219	270											
EMY40CLC	7.23	1/8	220-240V / 50Hz 1~	RSIR	119	1.53	90	1.21	55	66	90	116	148	186	232	166	7.6	4.3	S		180	AB 5	C	DWG01	SM00	EMY40CLC
									45	80	107	136	171	214	267											
EMT46CLP	7.96	1/8+	220-240V / 50Hz 1~	RSIR	135	1.29	102	1.02	55	76	102	134	171	215	265	158	7.4	4.3	S		180	AB 5	C	DWG01	SM00	EMT46CLP
									45	88	118	154	196	245	302											
EMY46CLC	7.96	1/8+	220-240V / 50Hz 1~	RSIR	135	1.56	101	1.23	55	75	102	135	174	219	268	166	7.7	4.3	S		180	AB 5	C	DWG01	SM00	EMY46CLC
									45	90	120	157	200	249	303											
EMY55CLP	9.04	1/6	220-240V / 50Hz 1~	RSIR	156	1.56	114	1.23	55	85	114	150	192	241	296	166	7.7	5.5	S		180	AB 5	C	DWG01	SM00	EMY55CLP
									45	102	135	175	222	277	340											
EMX55CLC	9.04	-	220-240V 50Hz 1~	RSCR	155	1.72	115	1.31	54.4	90	115	156	197	250		166	7.4	5.67	S		150	ISO 5	C	DWG01	SM01	EMX55CLC
									45	106	136	179	222	282												
EMT56CLP	9.04	1/6	220-240V / 50Hz 1~	RSIR	156	1.32	118	1.05	55	88	118	155	198	247	303	166	7.5	5.5	S		180	AB 5	C	DWG01	SM00	EMT56CLP
									45	102	135	176	224	280	345											
EMX70CLC	11.14	1/5	220-240V / 50Hz 1~	RSCR	191	1.71	143	1.34	55	103	142	184	233	290	360	166	7.7	6	S		150	AB 5	C	DWG01	SM01	EMX70CLC
									45	123	164	210	263	327	403											
EMX80CLT	12.21	1/5+	220-240V / 50Hz 1~	RSCR	212	1.74	162	1.36	55	118	158	207	265	331	406	171	7.9	7.8	S		150	AB 5	C	DWG01	SM01	EMX80CLT
									45	139	185	240	305	380	464											

NOTE: performance curves are calculated from Ashrae actual curves.

R-600a

HBP 50Hz

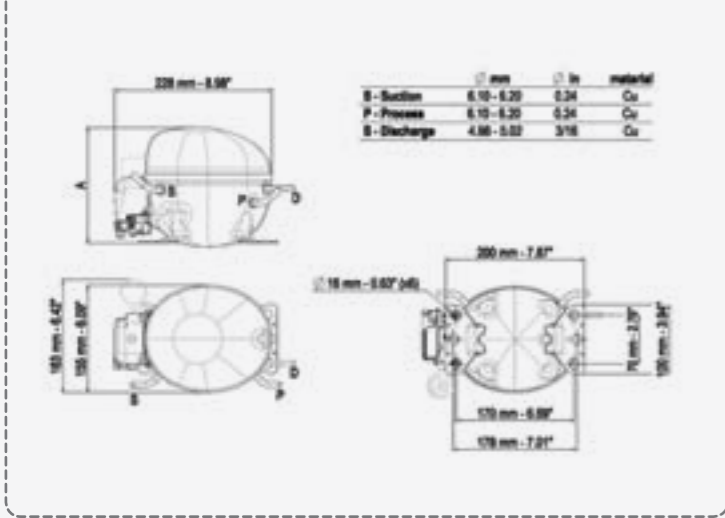
R-134a R-404a / R-507 R-290 R-600a
LBP MBP M/HBP HBP
50Hz 60Hz

MODEL	DISPLACEMENT cm ³	HP	VOLTAGE FREQUENCY	MOTOR TYPE	RATED POINT - ASHRAE		RATED POINT - EN12900		CONDENSING TEMPERATURE °C	COOLING CAPACITY EN12900						MAX HEIGHT mm	WEIGHT kg	LRA A	COOLING TYPE	FAN AIR FLOW (M ³ /H)	OIL		EXP DEVICE	DRAWINGS		MODEL
					7,2 °C / 54,4 °C		5°C/50 °C			EVAPORATING TEMPERATURE °C NO SUBCOOLING W											CHARGE cm ³	TYPE		EXTERNAL VIEW REF.	WIRING DIAGRAM REF.	
					COOLING W	EFFICIENCY W/W	COOLING W	EFFICIENCY W/W		-15	-10	-5	0	5	10											
EMU5125Y	4.5	1/10	220-240V / 50Hz 1~	RSIR	267	2.73	244	2.52	55		119	150	184	224	270	158	7	3.7	S		180	AB 5	C	DWG01	SM00	EMU5125Y
									45	109	138	172	212	257	307											
EMU5125Y	4.5	1/10	220-240V / 50Hz 1~	RSCR	267	2.88	244	2.82	55		120	151	187	228	274	158	7	3.7	S		180	AB 5	C	DWG01	SM01	EMU5125Y
									45	111	140	174	214	259	310											
EMU5132Y	6.78	1/8	220-240V / 50Hz 1~	RSIR	402	2.61	358	2.54	55		182	228	280	336	400	166	7.4	6.1	S		180	AB 5	C	DWG01	SM00	EMU5132Y
									45	165	208	258	316	382	454											
EMU5132Y	6.78	1/8	220-240V / 50Hz 1~	RSCR	406	2.82	363	2.74	55		184	230	282	342	408	166	7.4	6.1	S		180	AB 5	C	DWG01	SM01	EMU5132Y
									45	168	211	262	320	385	460											
EMT30CDP	4.5	1/8	220-240V 50Hz 1~	RSIR	256	2.53	246	2.65	55		125	155	191	232	278	158	7.2	3.7	S		180	POE 22	C	DWG01	SM00	EMT30CDP
									45	113	140	176	213	258	310											
EMT45CDP	6.78	1/8	220-240V 50Hz 1~	RSIR	389	2.56	360	2.47	55		172	226	276	338	411	166	7.7	5.8	S		180	POE 22	C	DWG01	SM00	EMT45CDP
									45	127	163	262	315	382	464											
EMT6144Y	9.04	1/5	220-240V 50Hz 1~	CSIR	543	2.48	486	2.41	55		250	310	377	455	543	166	7.8	7.7	F	520	180	POE 22	C/V	DWG01	SM05	EMT6144Y
									45	223	282	350	427	515	614											
EMT6160Y	11.14	1/4	220-240V 50Hz 1~	CSIR	653	2.27	588	2.2	55		303	375	458	552	658	166	7.8	9.8	F	520	180	POE 22	C/V	DWG01	SM05	EMT6160Y
									45	277	347	427	520	622	738											
NEK6144Y	9.99	1/5	220-240V 50Hz 1~	CSIR	550	2.4	489	2.28	55		234	298	374	458	550.251	187	10.4	12.4	F	520	350	POE 22	C/V	DWG03	SM05	NEK6144Y
									45	215	272	343	426	519	616.414											
NEK6160Y	12.11	1/4	220-240V 50Hz 1~	CSIR	677	2.53	606	2.43	55		294	372	464	567	678	187	10.6	12.4	F	520	350	POE 22	C/V	DWG03	SM05	NEK6160Y
									45	267	338	425	528	641	764											
NEK6170Y	14.28	1/4	220-240V 50Hz 1~	CSIR	809	2.47	720	2.38	55		358	449	554	674	806.854	187	10.6	12.4	F	520	350	POE 22	C/V	DWG03	SM05	NEK6170Y
									45	326	412	512	630	764	912.696											
NEK6187Y	16.8	1/3	220-240V 50Hz 1~	CSIR	907	2.39	805	2.29	55		391	494	613	749	864	200	11	16.1	F	520	350	POE 22	C/V	DWG03	SM05	NEK6187Y
									45	359	457	572	705	856	936											

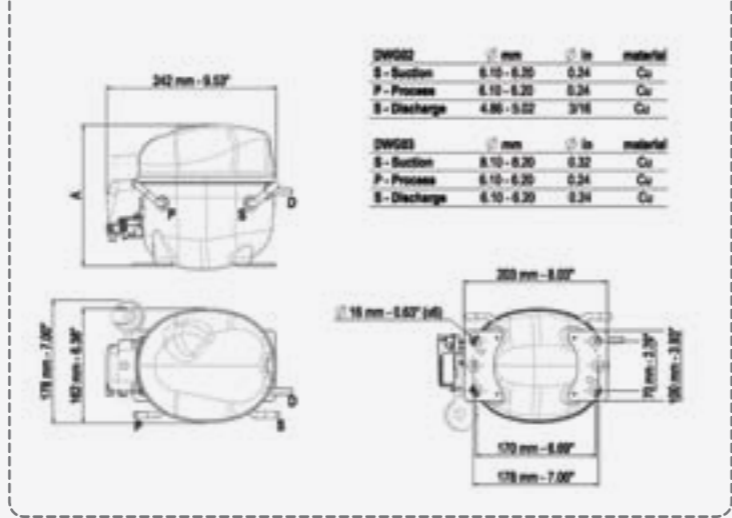
NOTE: performance curves are calculated from Ashrae actual curves.

External Views & Wiring Diagrams
EXTERNAL VIEWS

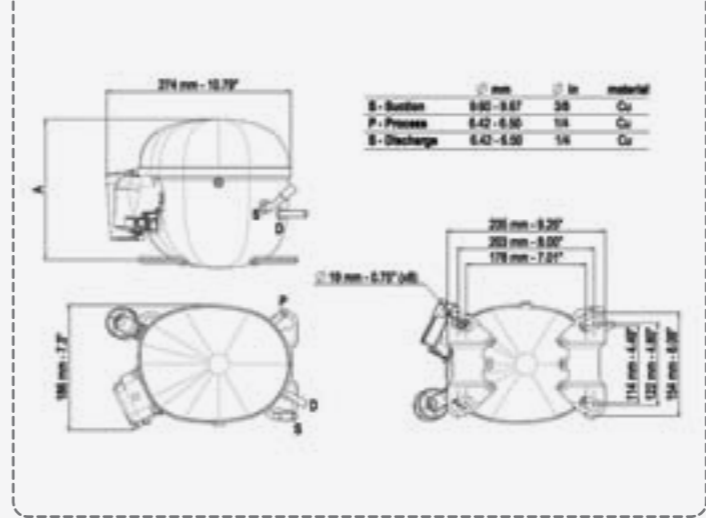
DWG01 - EMT SERIES European Base Plate



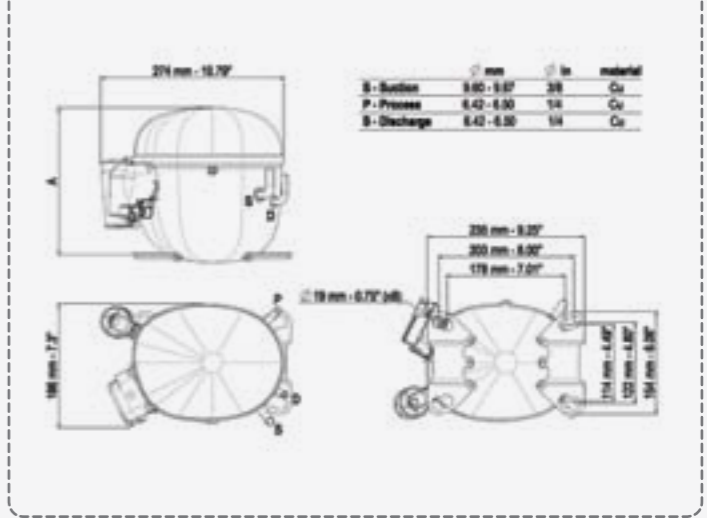
DWG02 / DWG03 - NE SERIES European Base Plate



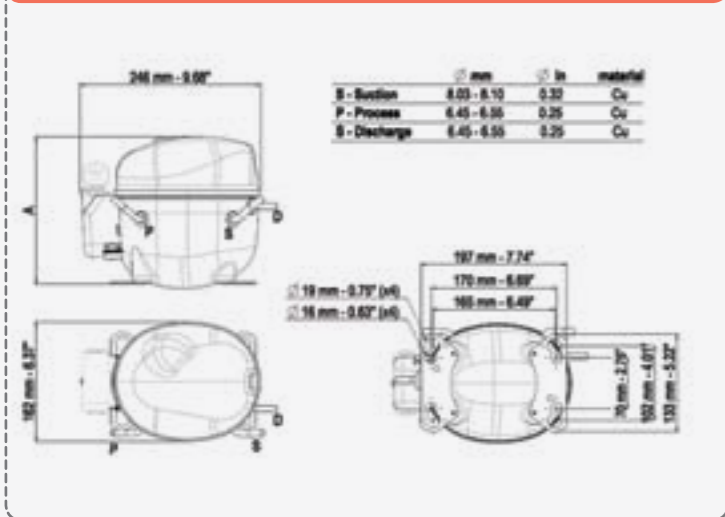
DWG 15 - NT SERIES



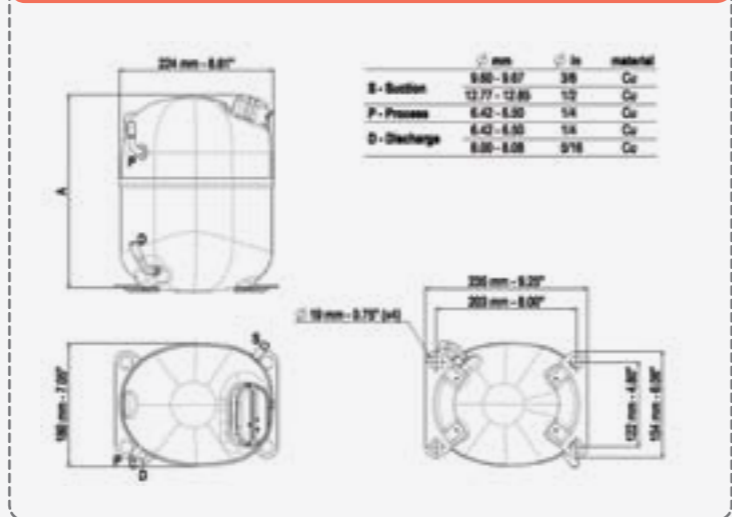
DWG16 - NT SERIES



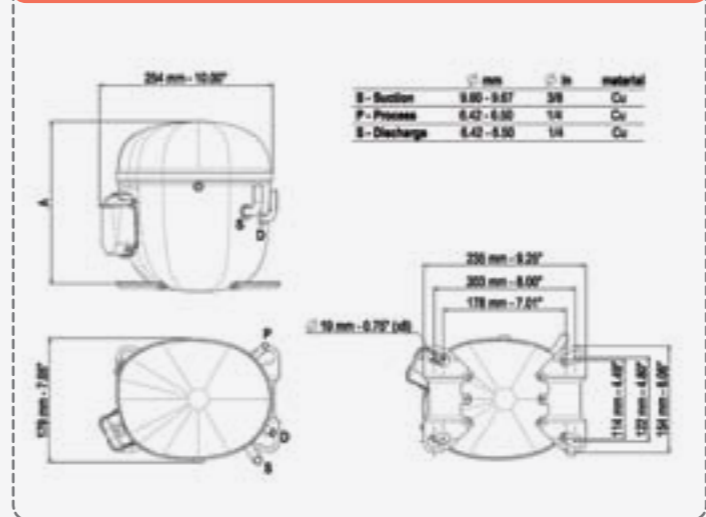
DWG04 - NE SERIES Universal Base Plate



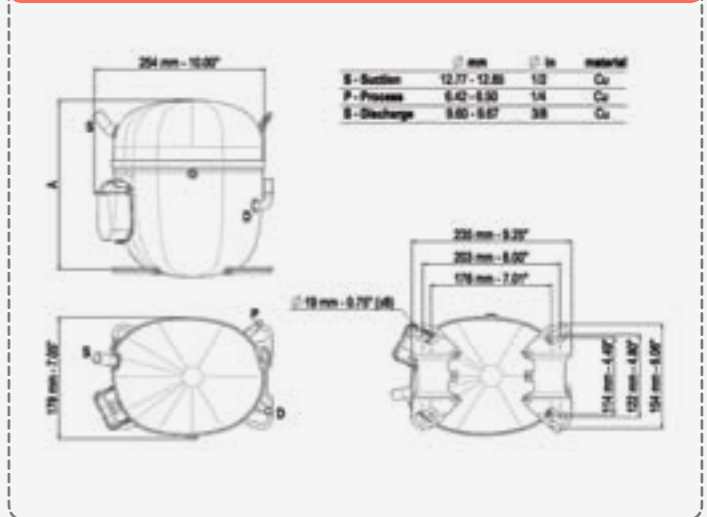
DWG14 - NJ SERIES



DWG17 - NT SERIES



DWG 19 - NTU SERIES



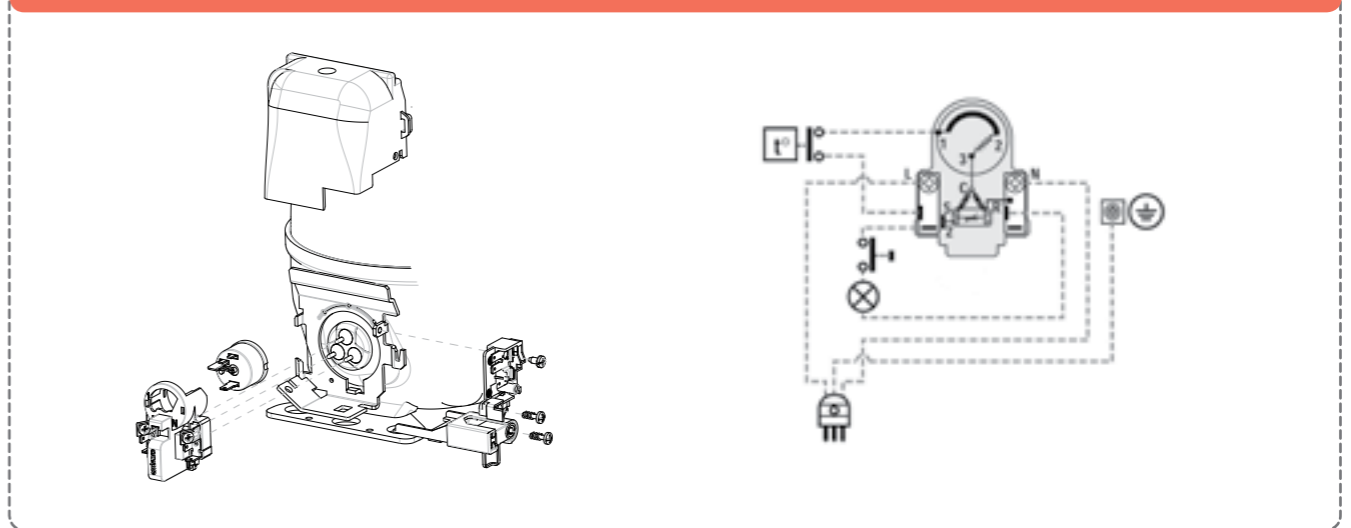
External Views & Wiring Diagrams

WIRING DIAGRAMS LEGEND

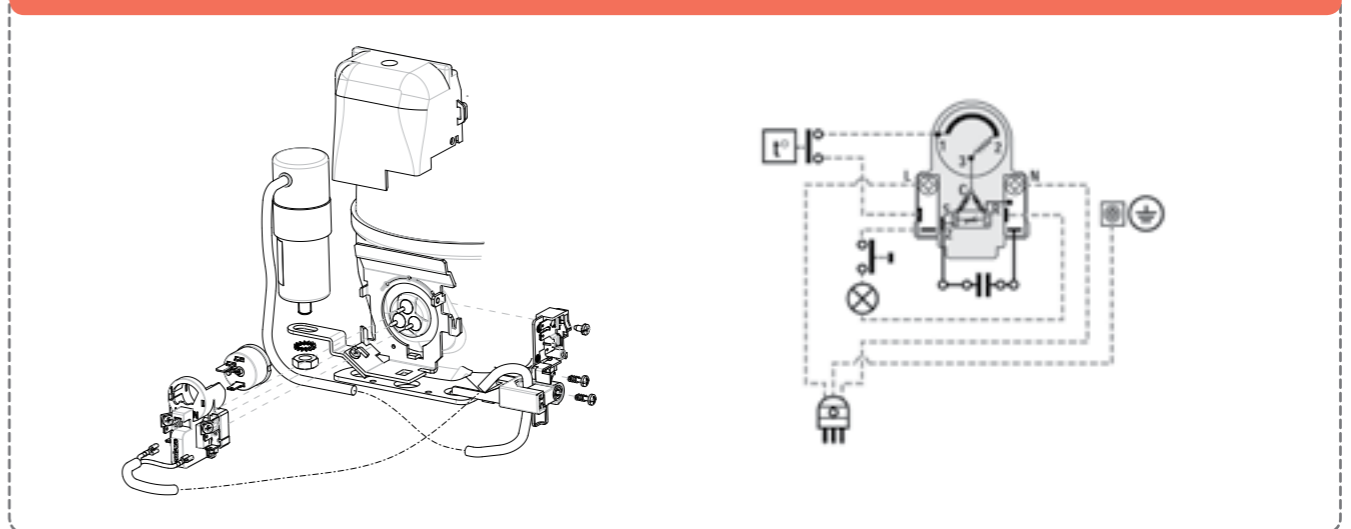
	OVERLOAD PROTECTOR		PTC START DEVICE
	OVERLOAD PROTECTOR		INTEGRATED PTC DEVICE
	CURRENT START RELAY		CURRENT START RELAY WITH CAPACITOR CONNECTIONS
	3CR CURRENT START RELAY		3ARR3 START RELAY
	RUN CAPACITOR		RUN CAPACITOR (MANDATORY - NOT SUPPLIED)
	OPTIONAL RUN CAPACITOR		START CAPACITOR
	FAN		PUSHBUTTON
	LAMP		SINGLE PHASE MOTOR
	3-PHASE MOTOR		THERMOSTAT
	LOW-HIGH PRESSURE SWITCH		PILOT CIRCUIT 24 OR 220 V
	EARTH CONNECTION		COMMON (INTERNAL OVERLOAD PROTECTOR)
	3-PHASE SUPPLY		COMMON
	SINGLE PHASE SUPPLY		START
	TERMINAL BLOCK		Br BROWN CABLE
	Wh WHITE CABLE		Bk BLACK CABLE
	Bl BLUE CABLE		Re RED CABLE
	YG YELLOW-GREEN CABLE		CONNECTIONS TO BE MADE BY THE CUSTOMER (NOT SUPPLIES)
	CONNECTIONS SUPPLIED		

WIRING DIAGRAMS

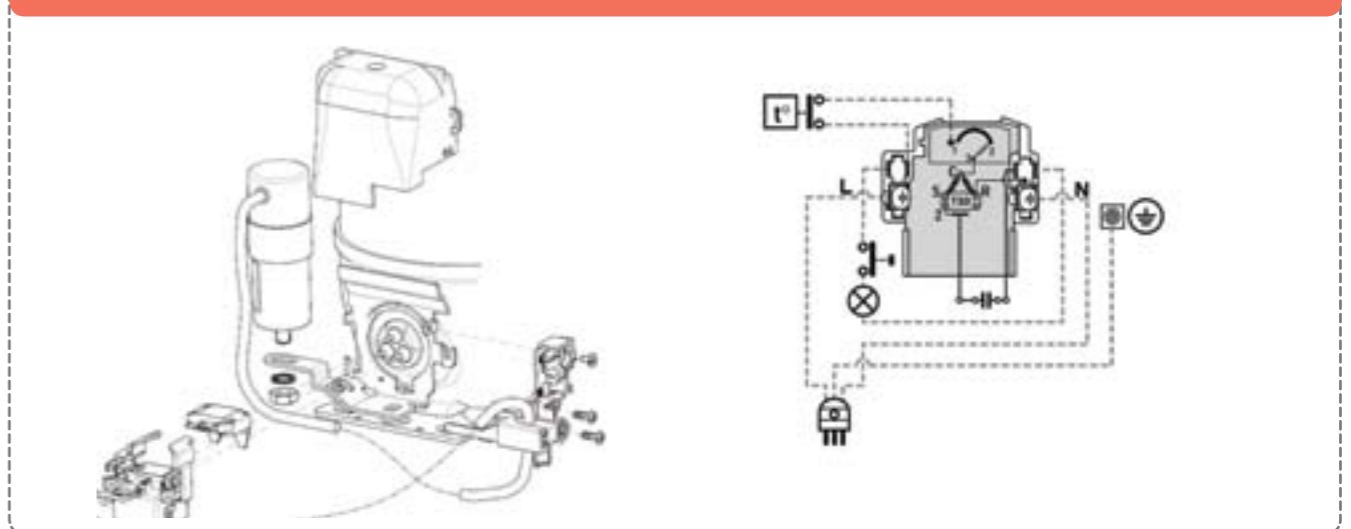
SM00 - EMT/NE SERIES RSIR PTC European Version



SM01 - EMT/NE SERIES RSCR PTC European Version

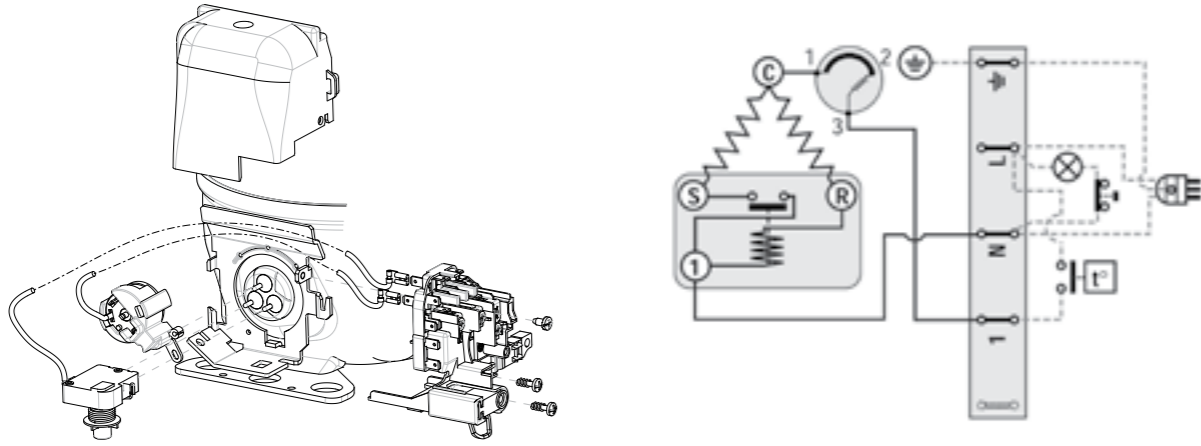


SM02 - EMT/NE SERIES RSCR TSD European Version

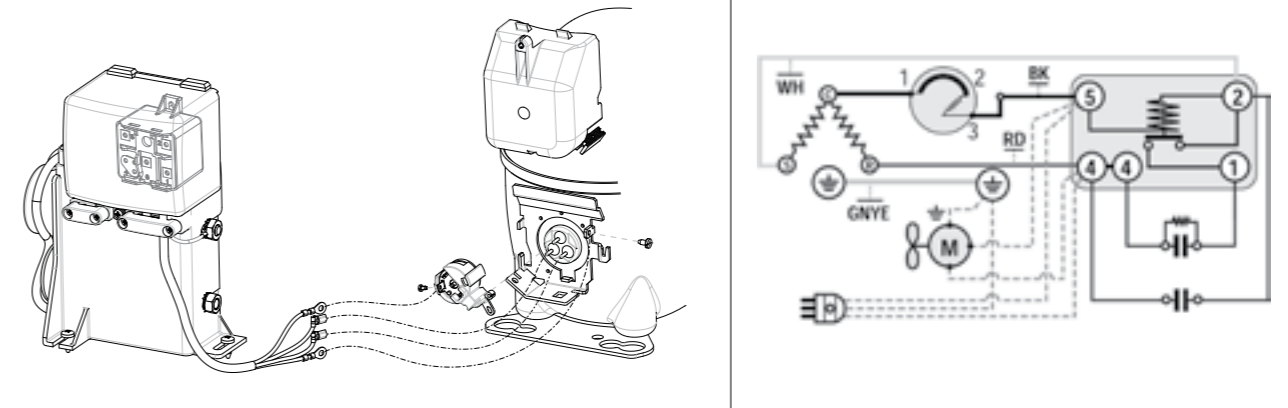


External Views & Wiring Diagrams
WIRING DIAGRAMS

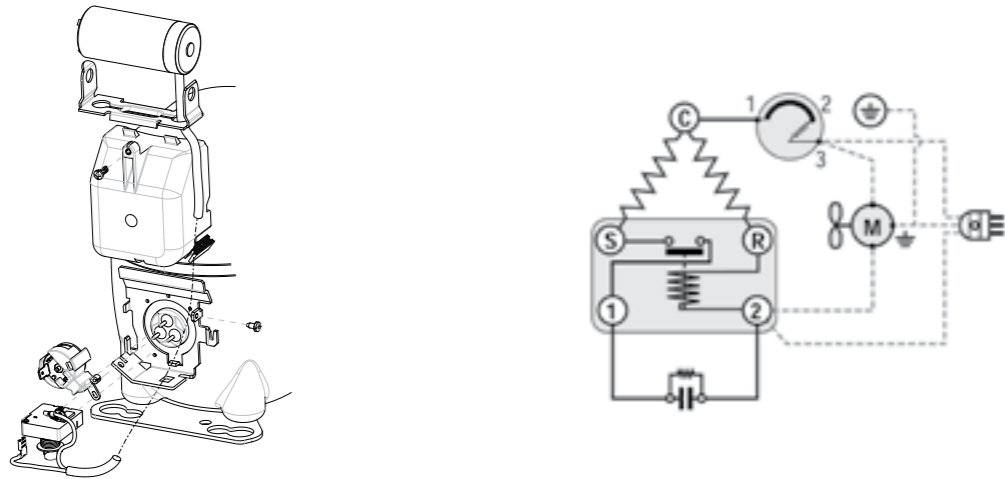
SM03 - EMT/NE SERIES RSIR Terminal Board & Start Device



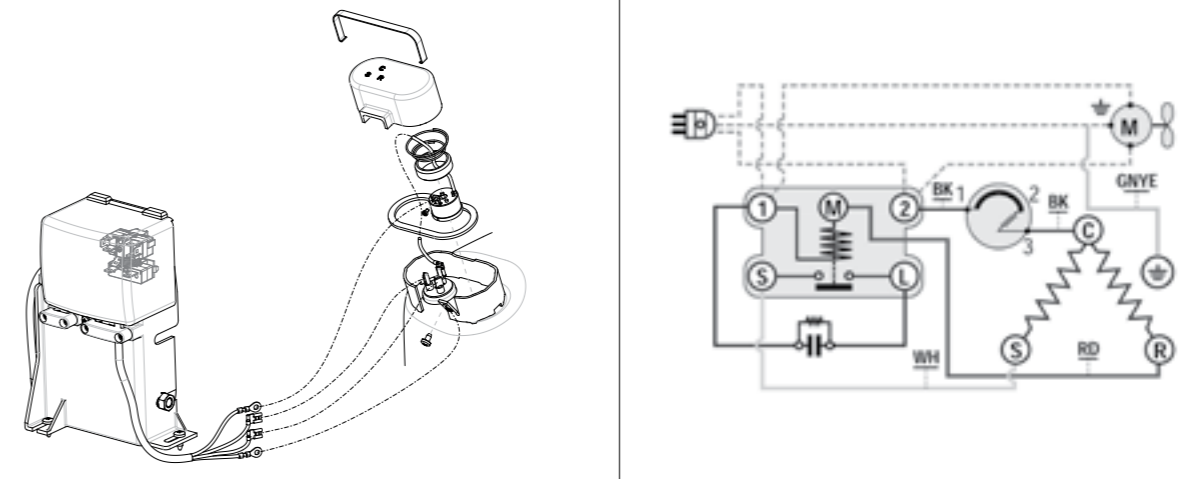
SM06 - NE SERIES CSR Box



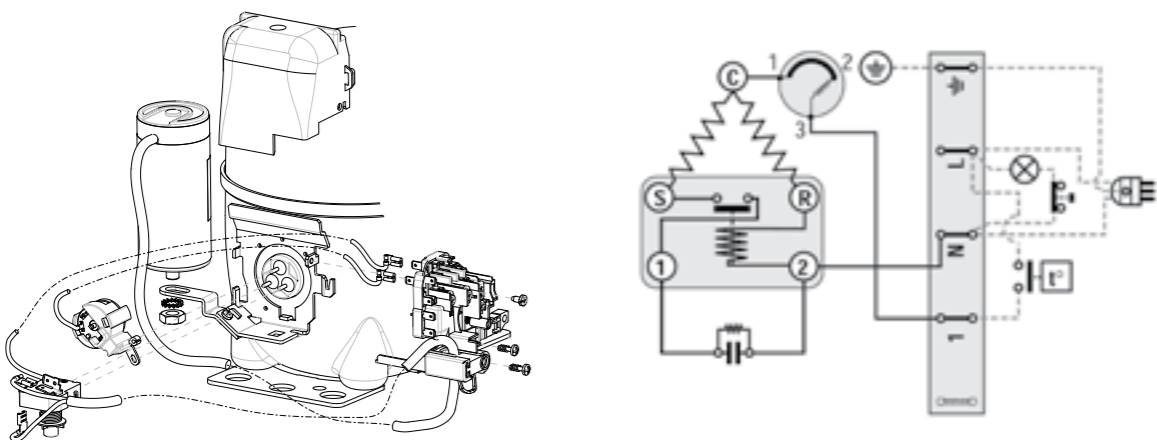
SM04 - EMT/NE SERIES CSIR American Version



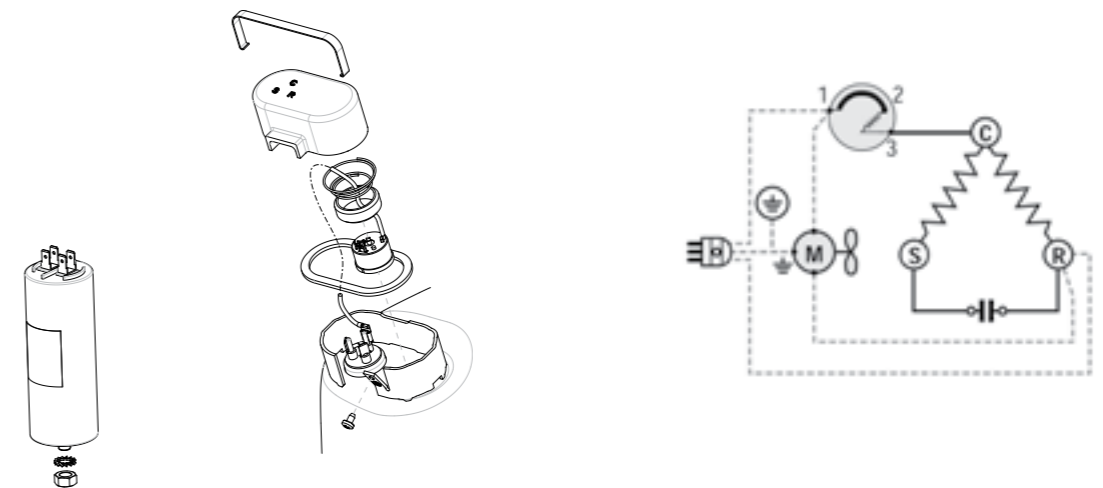
SM014 - NJ SERIES CSIR Box



SM05 - EMT/NE SERIES CSIR Terminal Board & Start Device

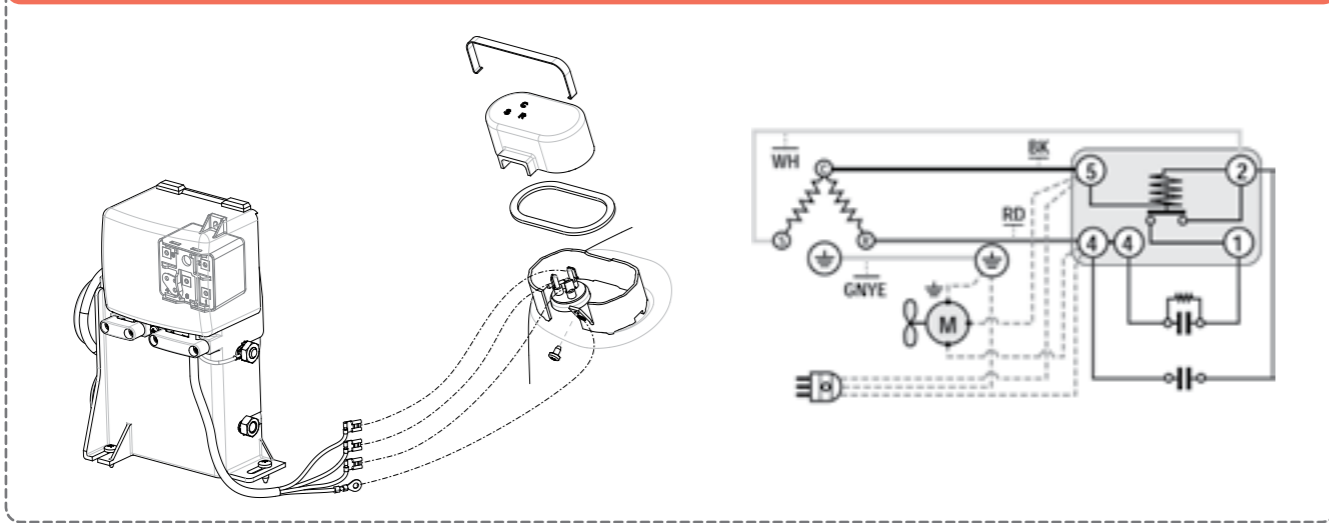


SM15 - NJ SERIES PSC

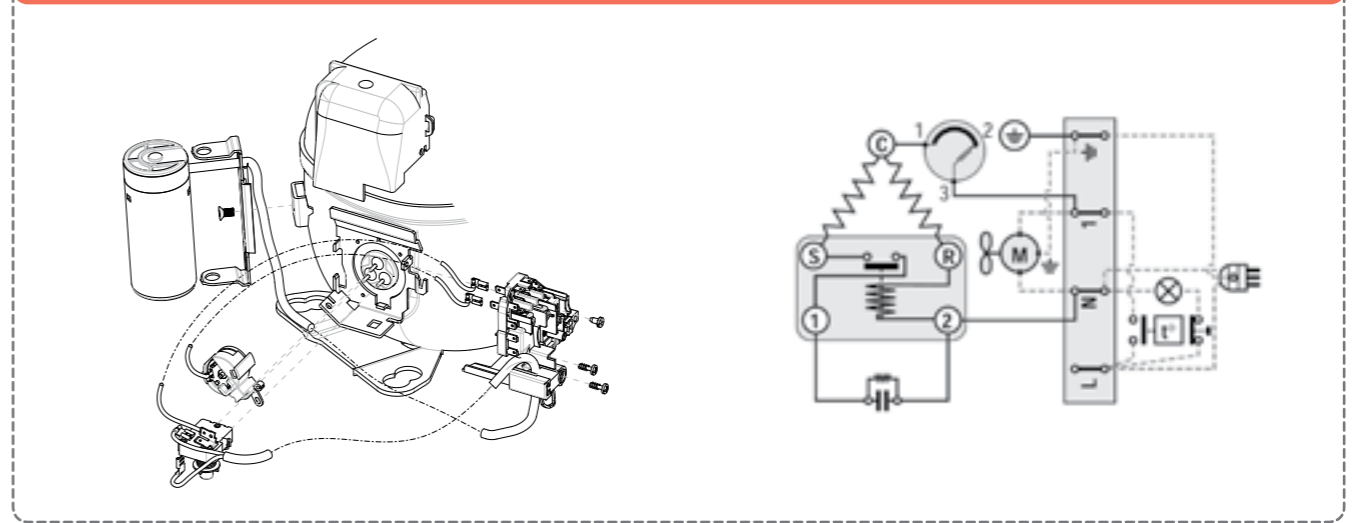


External Views & Wiring Diagrams
WIRING DIAGRAMS

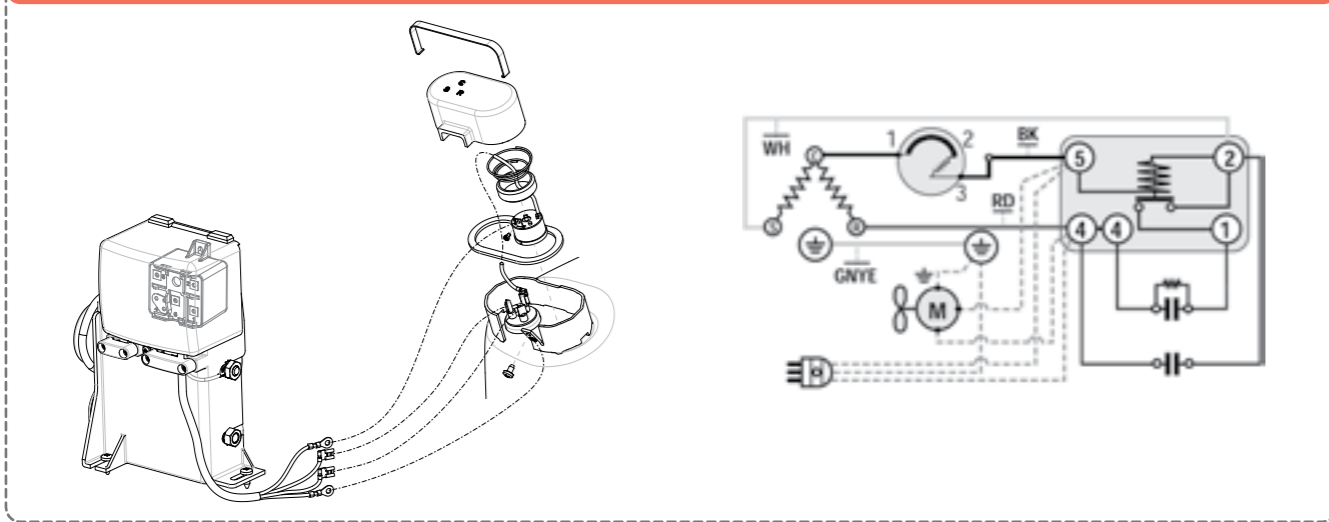
SM16 - NJ SERIES CSR Box (Internal Overload Protector)



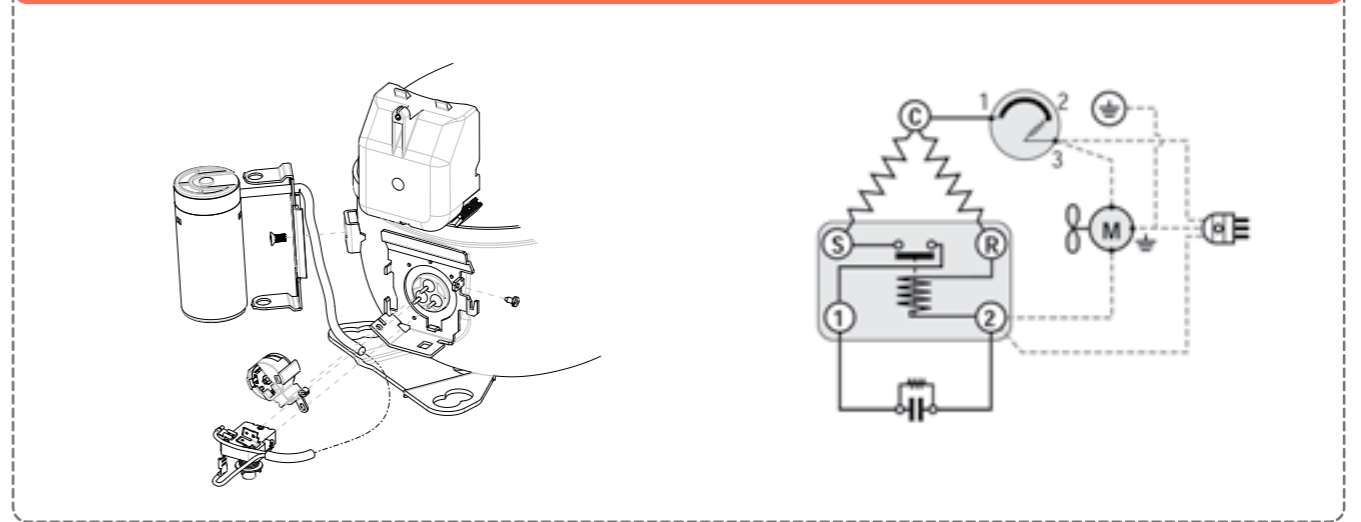
SM19 - NT SERIES CSIR Terminal Board



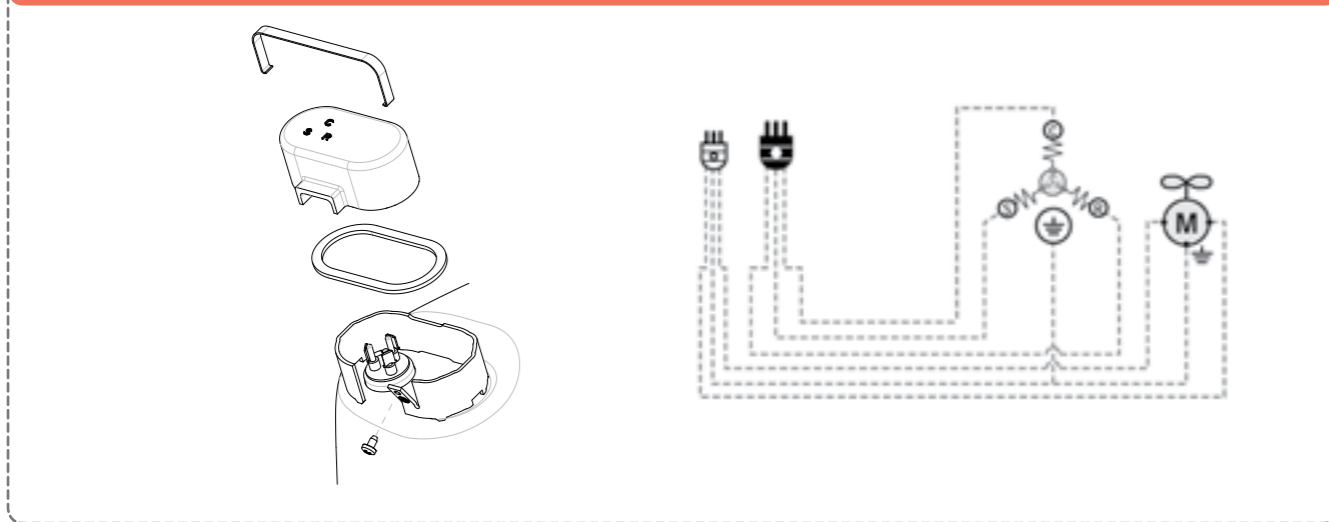
SM017 - NJ SERIES CSR Box (External Overload Protector)



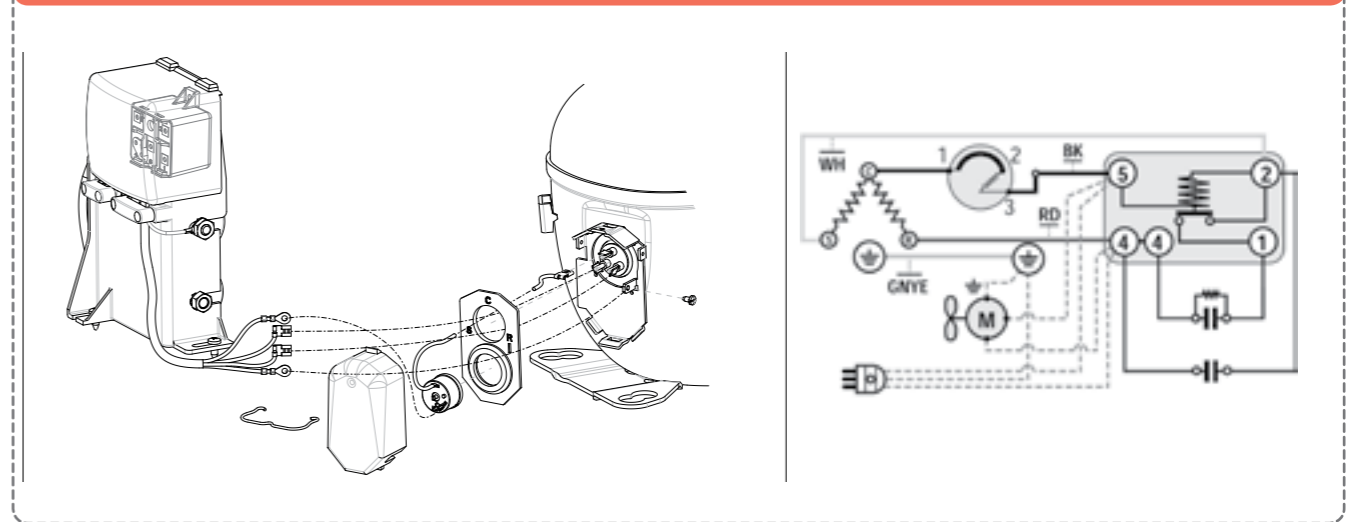
SM020 - NT SERIES CSIR – American Version



SM18 - NJ SERIES 3-Phase (Internal Overload Protector)

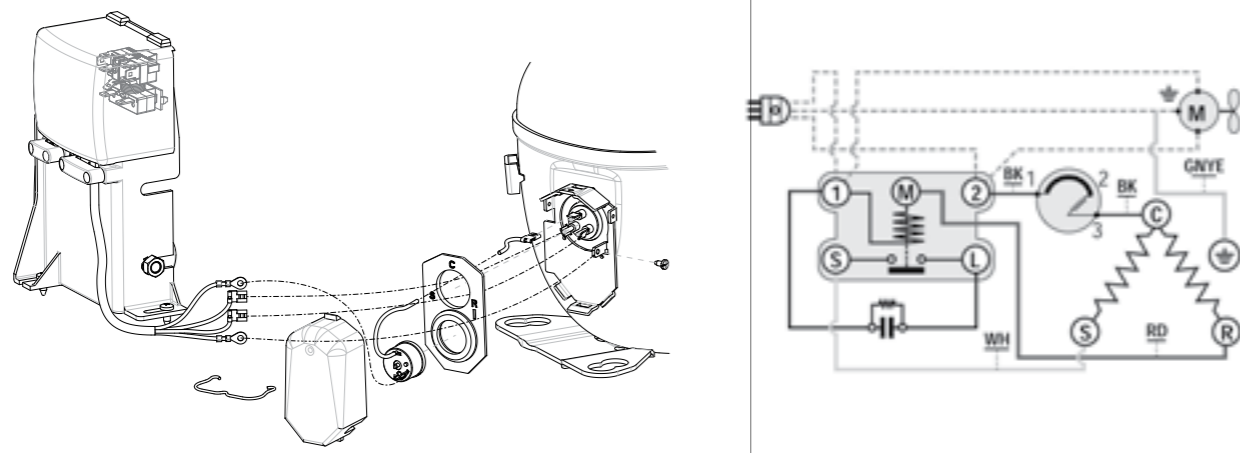


SM21 - NT SERIES CSR Box

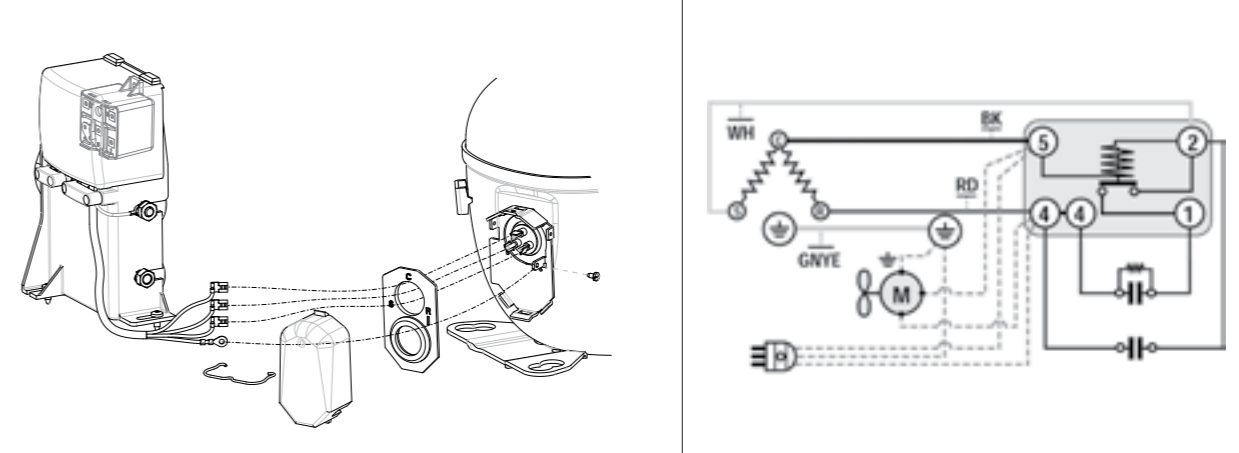


External Views & Wiring Diagrams
WIRING DIAGRAMS

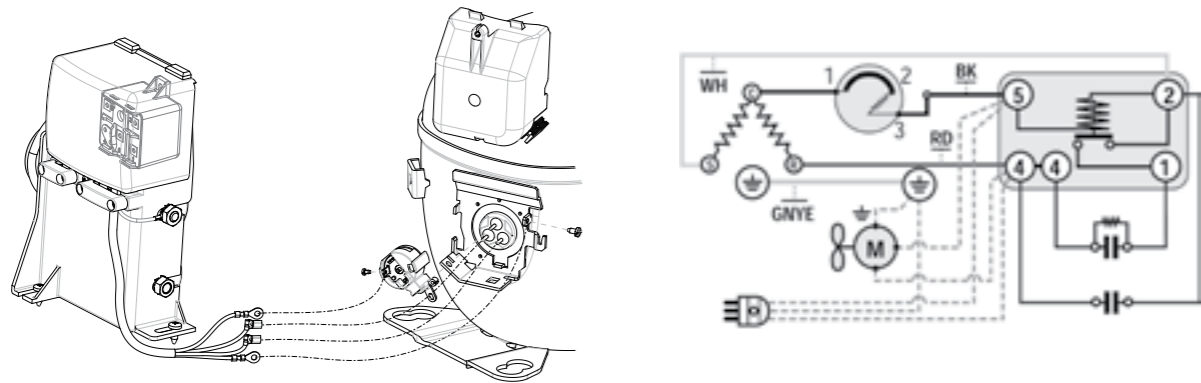
SM22 - NT SERIES CSIR Box



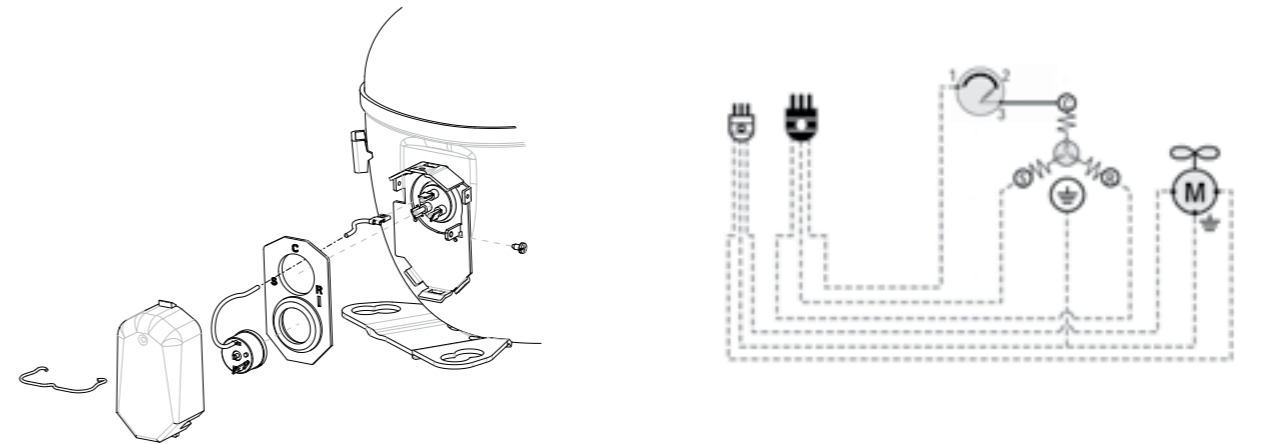
SM26 - NT SERIES CSR Box (Internal Overload Protector)

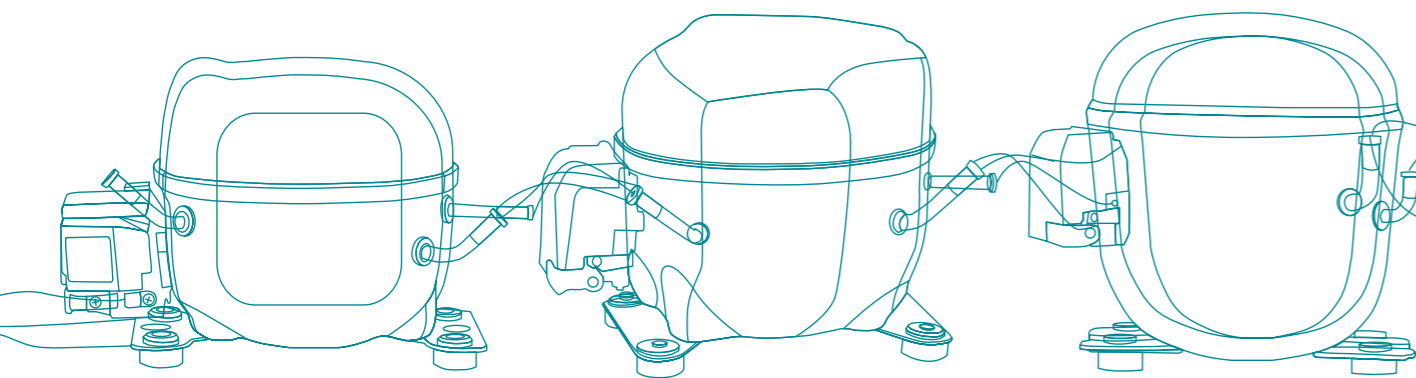


SM023 - NT SERIES CSR Box



SM27 - NT SERIES 3-Phase (Internal + External Overload Protector)





embraco POWER IN.
CHANGE ON.



GLOBAL PRESENCE

CONTACT US:

sales@embraco.it
marketing.europe@embraco.it

SALES OFFICE:

Via Pietro Andriano, 12
10020 – Riva presso Chieri (TO) - Italy